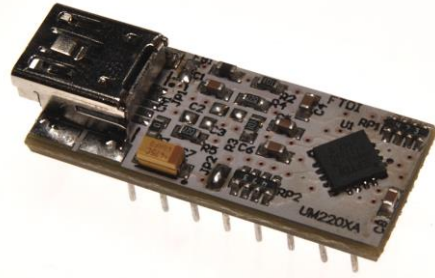


Future Technology Devices International

Datasheet

UMFT220XA USB to 4-bit SPI/FT1248 Development Module



UMFT220XA is a USB to 4-bit SPI/FT1248 DIP module with a 0.3" row pitch.

1 Introduction

The UMFT220XA is a development module for FTDI's FT220XQ, one of the devices from FTDI's range of USB interface bridging integrated circuit devices. FT220X is a USB to 4-bit SPI/FT1248 (only up to 4 bit wide) interface with a battery charger detection feature, which can allow batteries to be charged with a higher current from a dedicated charger port (without the FT220X being enumerated). In addition, asynchronous and synchronous bit bang interface modes are available. The internally generated clock (6MHz, 12MHz and 24MHz) can be brought out on the CBUS pin to be used to drive a microprocessor or external logic.

The UMFT220XA is a module which is designed to plug into a standard 0.3" wide 16 pin DIP socket. All components used, including the FT220XQ are Pb-free (RoHS compliant).

1.1 Features

The UMFT220XA is fitted with a FT220XQ; all the features of the FT220X can be utilized with the UMFT220XA. For a full list of the FT220X's features please see the FT220X datasheet which can be found by clicking [here](#).

In addition to the features listed in the FT220X datasheet, the UMFT220XA has the following features:

- Small PCB assembly module designed to fit a standard 7.62mm (0.3") wide 16 pin DIP socket. Pins are on a 2.54mm (0.1") pitch.
- On board USB 'mini-B' socket allows module to be connected to a PC via a standard A to mini-B USB cable.
- Functionally configurable using solder links. The default solder links setup enables the module to function without peripheral wires or application board. Other configurations enable external power supply options and variation of logic reference levels.



Neither the whole nor any part of the information contained in, or the product described in this manual, may be adapted or reproduced in any material or electronic form without the prior written consent of the copyright holder. This product and its documentation are supplied on an as-is basis and no warranty as to their suitability for any particular purpose is either made or implied. Future Technology Devices International Ltd will not accept any claim for damages howsoever arising as a result of use or failure of this product. Your statutory rights are not affected. This product or any variant of it is not intended for use in any medical appliance, device or system in which the failure of the product might reasonably be expected to result in personal injury. This document provides preliminary information that may be subject to change without notice. No freedom to use patents or other intellectual property rights is implied by the publication of this document. Future Technology Devices International Ltd, Unit 1, 2 Seaward Place, Centurion Business Park, Glasgow G41 1HH United Kingdom. Scotland Registered Company Number: SC136640

Table of Contents

| | | |
|----------|--|-----------|
| 1 | Introduction | 1 |
| 1.1 | Features..... | 1 |
| 2 | Driver Support | 3 |
| 3 | Ordering Information & TID | 4 |
| 4 | UMFT220XA Signals and Configurations | 5 |
| 4.1 | UMFT220XA Pin Out | 5 |
| 4.2 | Signal Descriptions | 6 |
| 4.3 | CBUS Signal Options | 7 |
| 5 | Module Configurations | 8 |
| 5.1 | Solder Link Configuration Options..... | 8 |
| 5.2 | Solder Link Modifications | 8 |
| 5.3 | BUS Powered Configuration | 9 |
| 5.4 | Self Powered Configuration | 10 |
| 5.5 | USB Bus Powered with Power Switching Configuration | 11 |
| 5.6 | Variable IO Voltage Supply | 12 |
| 5.7 | 3.3V Voltage Supply | 13 |
| 5.8 | Configuring the MTP ROM | 13 |
| 5.9 | Module Dimensions | 14 |
| 5.10 | IC Package Markings..... | 14 |
| 6 | UMFT220XA Module Circuit Schematic | 15 |
| 7 | Internal MTP ROM Configuration | 16 |
| 8 | Contact Information | 17 |
| | Appendix A – References | 18 |
| | Document References | 18 |
| | Acronyms and Abbreviations | 18 |
| | Appendix B - List of Figures and Tables | 19 |
| | List of Figures | 19 |
| | List of Tables | 19 |
| | Appendix C – Revision History | 20 |

2 Driver Support

Royalty-Free VIRTUAL COM PORT (VCP) DRIVERS for:

- Windows 10 32, 64 bit
- Windows 8 and 8.1 32, 64 bit
- Windows 7 32,64-bit
- Windows Vista
- Windows XP 32,64-bit
- Windows XP Embedded
- Windows CE.NET 4.2 , 5.0 and 6.0
- MAC OS OS-X
- Linux 3.0 and greater
- Android

Royalty-Free D2XX Direct Drivers (USB Drivers + DLL S/W Interface):

- Windows 10 32, 64 bit
- Windows 8 and 8.1 32,64-bit
- Windows 7 32,64-bit
- Windows Vista
- Windows XP 32,64-bit
- Windows XP Embedded
- Windows CE.NET 4.2, 5.0 and 6.0
- MAC OS OS-X
- Linux 3.0 and greater
- Android

The drivers listed above are all available to download for free from www.ftdichip.com. Various 3rd Party Drivers are also available for various other operating systems - visit www.ftdichip.com for details.

3 Ordering Information & TID

| Module Code | Utilised IC Code | TID | Description |
|---------------------|-------------------------|----------|--|
| UMFT201XA-01 | FT201XQ | 40001460 | USB to I ² C evaluation module, Pin length: 5.6mm. |
| UMFT201XA-02 | FT201XQ | 40001460 | USB to I ² C evaluation module, Pin length: 4.6mm. |
| <u>UMFT220XA-01</u> | FT220XQ | 40001461 | <u>USB to 4-bit SPI/FT1248 evaluation module, Pin length: 5.6mm.</u> |
| <u>UMFT220XA-02</u> | FT220XQ | 40001461 | <u>USB to 4-bit SPI/FT1248 evaluation module, Pin length: 4.6mm.</u> |
| UMFT221XA-01 | FT221XQ | 40001462 | USB to 8-bit SPI/FT1248 evaluation module, Pin length: 5.6mm. |
| UMFT221XA-02 | FT221XQ | 40001462 | USB to 8-bit SPI/FT1248 evaluation module, Pin length: 4.6mm. |
| UMFT230XA-01 | FT230XQ | 40001463 | USB to Basic UART evaluation module, Pin length: 5.6mm. |
| UMFT230XA-02 | FT230XQ | 40001463 | USB to Basic UART evaluation module, Pin length: 4.6mm. |
| UMFT231XA-01 | FT231XQ | 40001464 | USB to Full-Handshake UART evaluation module, Pin length: 5.6mm. |
| UMFT231XA-02 | FT231XQ | 40001464 | USB to Full-Handshake UART evaluation module, Pin length: 4.6mm. |
| UMFT240XA-01 | FT240XQ | 40001466 | USB to 8-bit 245 FIFO evaluation module, Pin length: 5.6mm. |
| UMFT240XA-02 | FT240XQ | 40001466 | USB to 8-bit 245 FIFO evaluation module, Pin length: 4.6mm. |

TID is the test identification code for the IC. Note that this TID is for revision D silicon.

4 UMFT220XA Signals and Configurations

4.1 UMFT220XA Pin Out

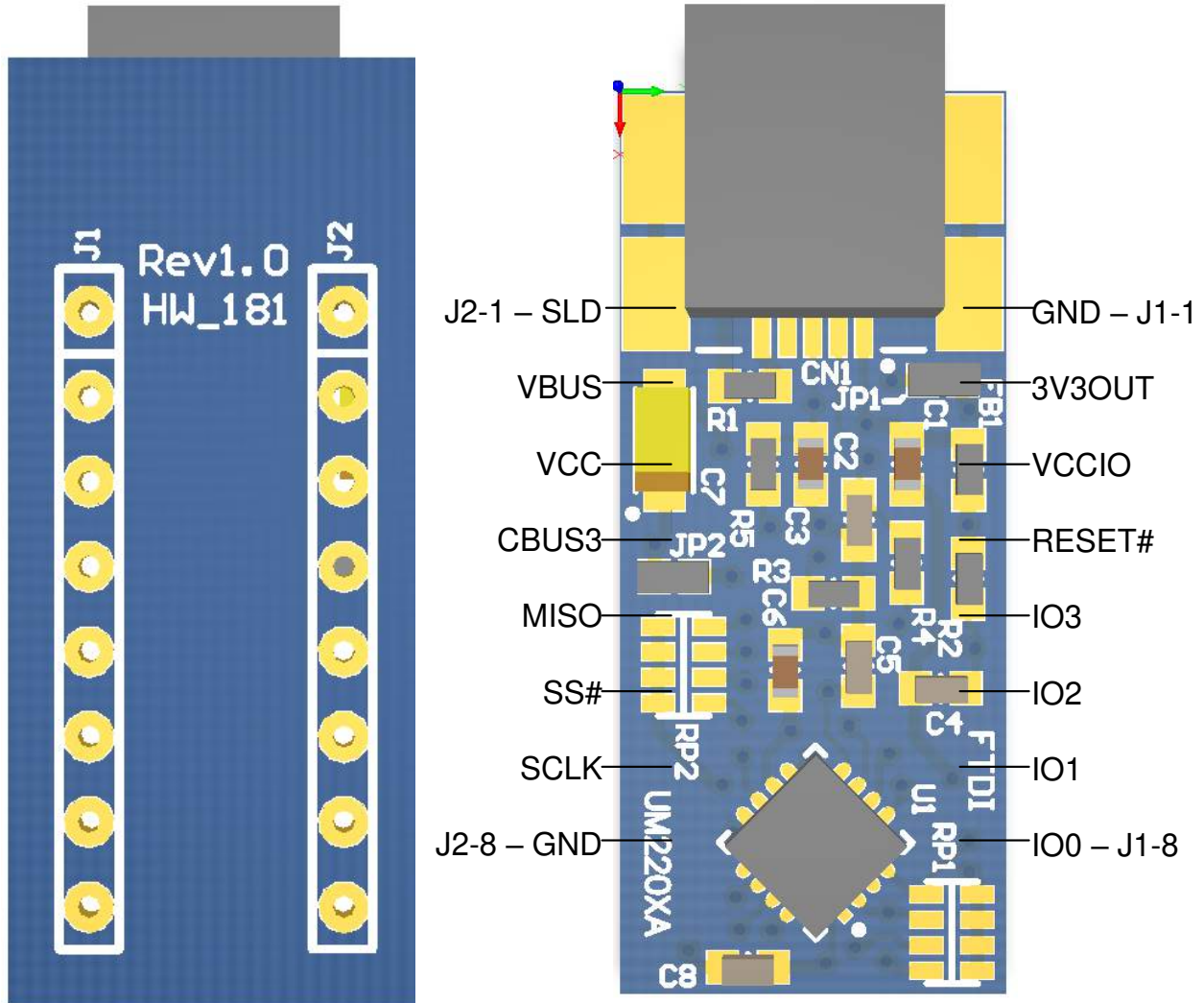


Figure 4.1 – Module Pin Out

Figure 4.1 illustrates the signals available on the DIL pins. The LHS shows the pinout when the module is viewed from the bottom. The RHS shows what signals are available (on the pins below) when viewed from the top. The pins do not go completely through the PCB.

4.2 Signal Descriptions

| Pin No. | Name | Type | Description |
|---------------|---------|--------------|--|
| J1-1, J2-8 | GND | PWR | Module Ground Supply Pins |
| J1-2 | 3V3OUT | Power Output | 3.3V output from integrated LDO regulator. This pin is decoupled with a 100nF capacitor to ground on the PCB module. The prime purpose of this pin is to provide the 3.3V supply that can be used internally. For power supply configuration details see section 5. |
| J1-3 | VCCIO | Power Input | +1.8V to +3.3V supply to the UART Interface and CBUS I/O pins. For power supply configuration details see section 5. |
| J1-4 | RESET # | Input | FT220X active low reset line. Configured with an on board pull-up and recommended filter capacitor. |
| J1-5 | IO3 | I/O | FT1248 Bi-Directional data bit 3 |
| J1-6 | IO2 | I/O | FT1248 Bi-Directional data bit 2 |
| J1-7 | IO1 | I/O | FT1248 Bi-Directional data bit 1 |
| J1-8 | IO0 | I/O | FT1248 Bi-Directional data bit 0 |
| J2-1 | SLD | GND | USB Cable Shield. Connected to GND via a 0ohm resistor. |
| J2-2 | VBUS | Power Output | 5V Power output from the USB bus. For a low power USB bus powered design, up to 100mA can be sourced from the 5V supply and applied to the USB bus. A maximum of 500mA can be sourced from the USB bus in a high power USB bus powered design. Currents up to 1A can be sourced from a dedicated charger and applied to the USB bus. |
| J2-3 | VCC | Power Input | 5V power input for FT220X. For power supply configuration details see section 5. |
| J2-4 | CBUS3 | I/O | Configurable CBUS I/O Pin. Function of this pin is configured in the device internal MTP ROM. See CBUS Signal Options, Table 4.2. |
| J2-5 | MISO | Output | Master In Serial Out. Used to provide status information to the FT1248 interface master. |
| J2-6 | SS# | Input | FT1248 Chip select input to enable the device interface. Active low logic. |
| J2-7 | SCLK | Input | FT1248 Clock input from FT1248 interface master. |

Table 4.1 – Module Pin Out Description

4.3 CBUS Signal Options

The following options can be configured on the CBUS I/O pins. These options are all configured in the internal MTP ROM using the utility software FT_PROG, which can be downloaded from the www.ftdichip.com. The default configuration is described in [DS UMFT231XA](#).

| CBUS Signal Option | Available On CBUS Pin | Description |
|--------------------|-----------------------|---|
| Tristate | CBUS3 | IO Pad is tristated |
| DRIVE_1 | CBUS3 | Output a constant 1 |
| DRIVE_0 | CBUS3 | Output a constant 0 |
| PWREN# | CBUS3 | Output is low after the device has been configured by USB, then high during USB suspend mode. This output can be used to control power to external logic P-Channel logic level MOSFET switch. NOTE: This function is driven by an open-drain to ground with no internal pull-up, this is specially designed to aid battery charging applications. UMFT220XA connects an on-board 47K pull-up to all CBUS and DBUS pins. |
| SLEEP# | CBUS3 | Goes low during USB suspend mode. Typically used to power down an external logic to RS232 level converter IC in USB to RS232 converter designs. Cancel SLEEP# option for when connected to a dedicated charger port, this can be selected when configuring the MTP ROM. When this option is enabled SLEEP# is driven high when FT220X is connected to a Dedicated Charger Port. |
| CLK24MHz | CBUS3 | 24 MHz Clock output.** |
| CLK12MHz | CBUS3 | 12 MHz Clock output.** |
| CLK6MHz | CBUS3 | 6 MHz Clock output.** |
| GPIO | CBUS3 | CBUS bit bang mode option. Allows up to 4 of the CBUS pins to be used as general purpose I/O. Configured individually for CBUS0, CBUS1, CBUS2 and CBUS3 in the internal MTP ROM. A separate application note, AN232R-01 , available from FTDI website (www.ftdichip.com) describes in more detail how to use CBUS bit bang mode. |
| BCD_Charger | CBUS3 | Battery Charge Detect indicates when the device is connected to a dedicated battery charger host. Active high output. NOTE: Requires a 10K pull-down to remove power up toggling. |
| BCD_Charger# | CBUS3 | Active low BCD Charger, driven by an open drain to ground with no internal pull-up (4.7K on board pull-up present). |
| BitBang_WR# | CBUS3 | Synchronous and asynchronous bit bang mode WR# strobe output. |
| BitBang_RD# | CBUS3 | Synchronous and asynchronous bit bang mode RD# strobe output. |
| VBUS_Sense | CBUS3 | Input to detect when VBUS is present. |
| Time_Stamp | CBUS3 | Toggle signal which changes state each time a USB SOF is received |
| Keep_Awake# | CBUS3 | Active Low input, prevents the chip from going into suspend. |

Table 4.2 – CBUS Signal Options

**When in USB suspend mode the outputs clocks are also suspended.

5 Module Configurations

5.1 Solder Link Configuration Options

| Solder Link No. | Setting | Status | Description |
|-----------------|---------|-------------|--|
| JP1 | Shorted | Default | Connects internal 3.3V regulator to VCCIO. This restricts signal drive to only 3.3V level signals. |
| JP1 | Opened | Non-Default | Disconnects internal 3.3V regulator connection to VCCIO. This mode allows for the supply of 1.8V-3.3V power from an external power supply, thus allows the processing of signals with logic levels between 1.8V and 3.3V. VCCIO can be adjusted to match the interface requirements of external circuitry. |

Table 5.1 – Solder Links JP1 Pin Description

| Solder Link No. | Setting | Status | Description |
|-----------------|---------|-------------|--|
| JP2 | Shorted | Default | Connects VBUS to VCC. This mode is known as “Bus Powered” mode. |
| JP2 | Opened | Non-Default | Disconnects VBUS to VCC. This allows the supply of power from an external power supply. This mode is known as “Self-Powered” mode. |

Table 5.2 – Solder Links JP2 Pin Description

Note: There should never be more than one power output supplied to the same net. Failure to properly remove solder from JP1 and JP2 can cause a direct short between two different power supplies (when a self-powered set-up is applied and the USB bus is connected) resulting in damage to the UMFT220XA module and the target circuit.

5.2 Solder Link Modifications

The UMFT220XA has two solder links fixed to the top side of the PCB. These solder link can be adjusted by removing the solder linking the two PADS to produce an open or by placing a solder blob to produce a short.

By default the UMFT220XA has both solder links shorting their pads. To allow for enhanced flexibility of this module remove both solder links and wire the header pins according to the power setup required.

5.3 BUS Powered Configuration

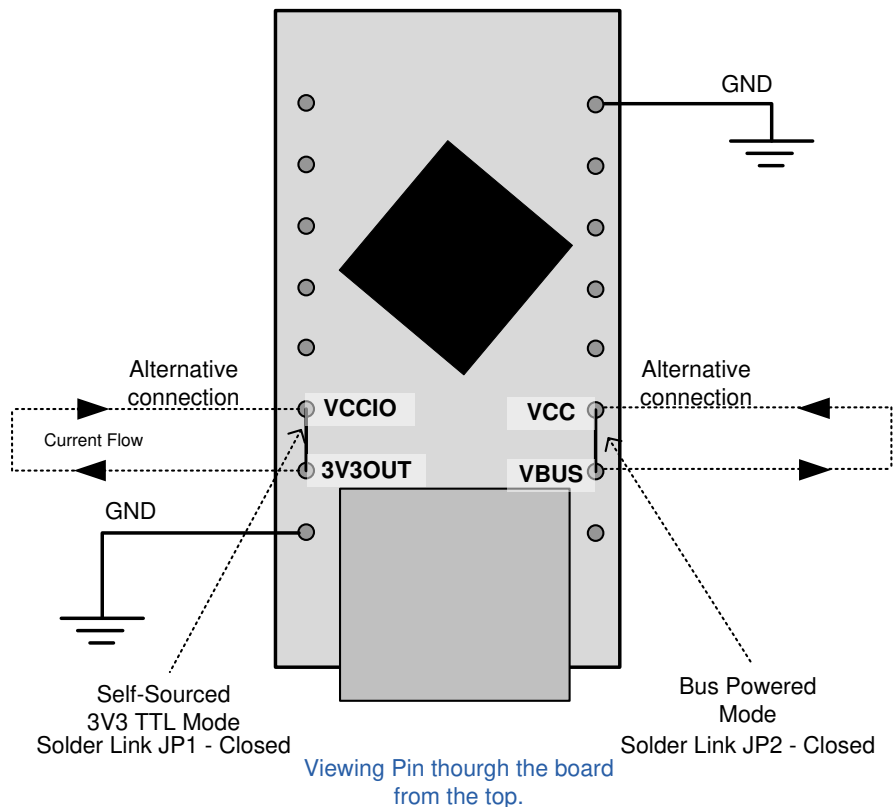


Figure 5.1 – Bus Powered Configuration

A bus powered configuration draws its power from the USB host/hub. The UMFT220XA is configured by default to be in bus powered mode.

Figure 5.1 illustrates the UMFT220XA module in a typical USB bus powered design configuration. By default solder bridge connections link VCCIO to 3V3OUT, and VCC to VBUS. . (Note that Figure 5.1 is for illustration only and that the pins do not actually go all the way through the PCB)

For a bus power configuration power is supplied from the USB VBUS:

+5V VBUS power is sourced from the USB bus and is connected to the FT220X power input (VCC)

+3.3V power is sourced from the FT220X’s voltage regulator output and is connected to the FT220X IO port’s power input (VCCIO).

Interfacing the UMFT220XA module to a microcontroller (MCU), or other logic devices for bus powered configuration is done in exactly the same way as a self-powered configuration (see Section 5.3), except that it is possible for the MCU or external device to take its power supply from the USB bus (either the 5V from the USB pin, or 3.3V from the 3V3OUT pin).

5.4 Self Powered Configuration

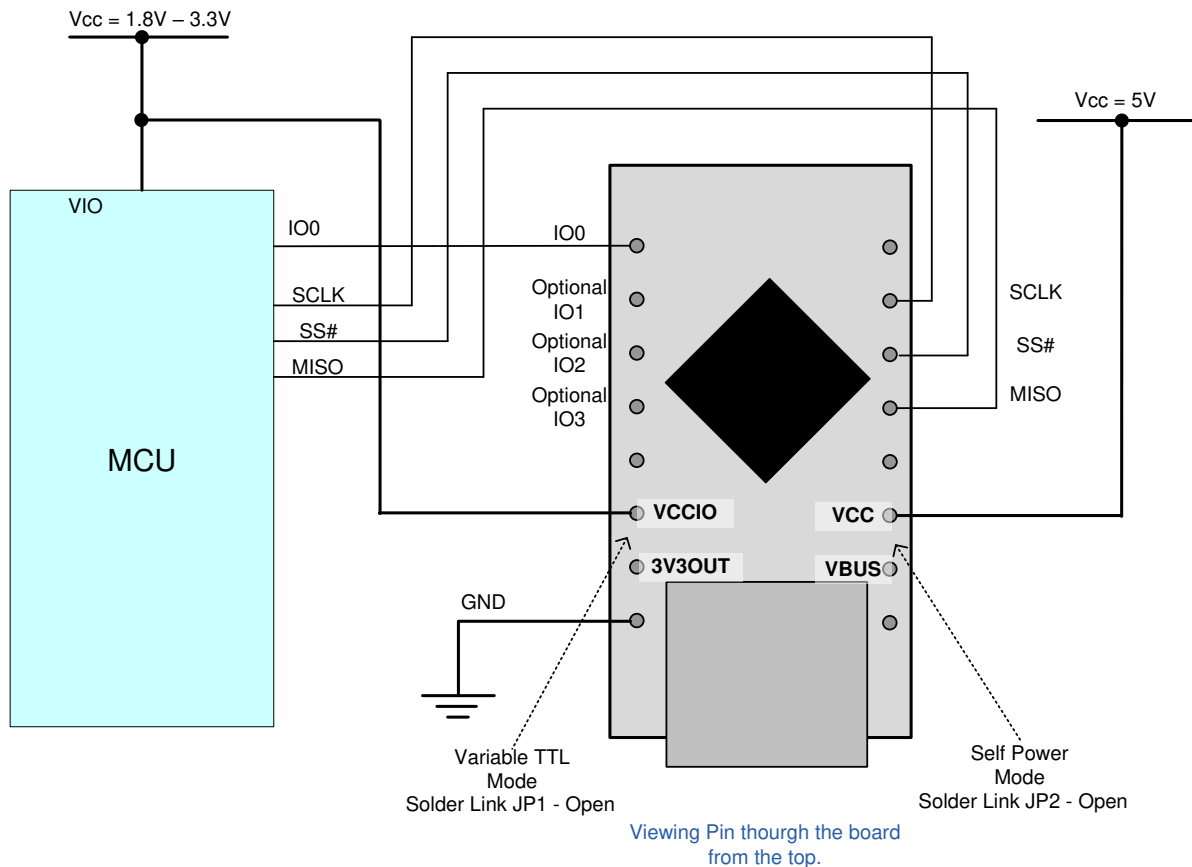


Figure 5.2 – Self-Powered Configuration

A self-powered configuration operates on the principle of drawing power from an external power supply, as opposed to drawing power from the USB host. In this configuration no current is drawn from the USB bus.

Figure 5.2 illustrates the UMFT220XA in a typical USB self-powered configuration. In this case the solder links connection of JP1 is removed, which allows 5V power to be supplied to the module VCC pins from an external source. VCCIO can be powered from 3V3OUT or the VCC of an external source. (Note that Figure 5.2 is for illustration only and that the pins do not actually go all the way through the PCB)

For a self-powered configuration it is necessary to prevent current from flowing back to the USB data lines when the connected USB host or hub has powered down. To carry out this function the UMFT220XA uses an on-board voltage divider network connected to the USB power bus and RESET# pin. This operates on the principle that when no power is supplied to the VBUS line, the FT220X will automatically be held in reset by a weak pull-down, when power is applied the voltage divider will apply a weak 3.3V pull-up. Driving a level to the RESET# pin of the UMFT220XA will override the effect of this voltage divider. When the FT220X is in reset the USB DP signal pull-up resistor connected to the data lines is disconnected and no current can flow down the USB lines.

An example of interfacing the FT220X with a Microcontroller's FT1248 interface is also illustrated in Figure 5.2. This example shows the wire configuration of the transfer and handshake lines. This example also illustrates that a voltage other than 3.3V can be supplied to the FT220X's IO port, this feature is described further and for bus powered mode in Section 5.6.

Alternatively both the FT220X's IO port and MCU can be powered from the 3V3OUT pin; this approach is described in Section 5.5.

5.5 USB Bus Powered with Power Switching Configuration

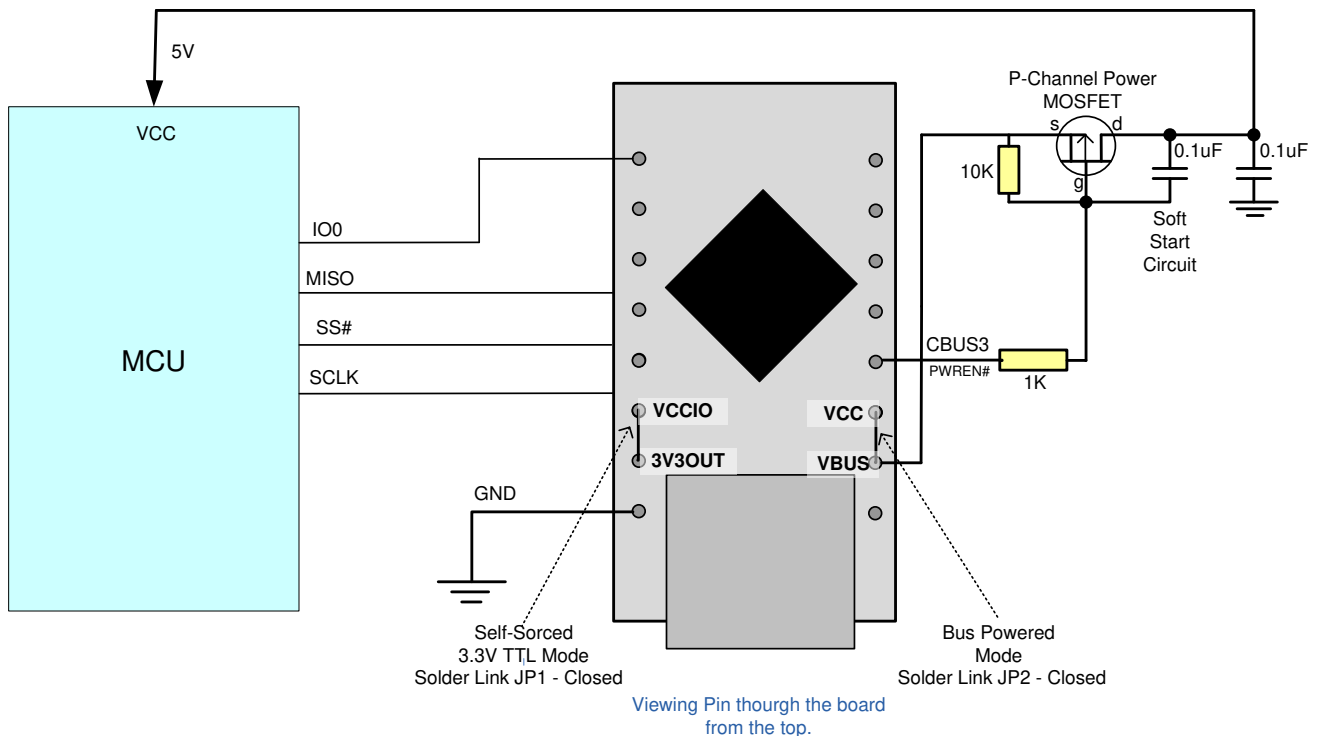


Figure 5.3 – Bus Powered with Power Switching Configuration

USB bus powered mode is introduced in Section 5.3. This section describes how to use bus-powered mode with a power switch.

USB bus powered circuits are required by USB compliance standards to consume less than 2.5mA (and less than 100mA when not enumerated and not suspended) when connected to a host or hub when in USB suspend mode. The PWREN# CBUS function can be used to remove power from external circuitry whenever the FT220X is not enumerated. (Note: It is impossible to be in suspended mode when enumerated.) (Note that Figure 5.3 is for illustration only and that the pins do not actually go all the way through the PCB)

To implement a power switch using PWREN#, configure a P-Channel Power MOSFET to have a soft start by fitting a 10K pull-up, a 1K series resistor and a 100nF cap as shown in Figure 5.3.

Connecting the source of the P-Channel MOSFET to 3V3OUT instead of VBUS can allow external logic to source 3.3V power from the FT220X without breaking USB compliancy. In this setup it is important that the VCCIO is not sourced from the drain of this MOSFET, this is because the power used to drive the gate of this transistor is sourced from VCCIO. VCCIO should be connected directly to 3V3OUT for this setup to function effectively. It is also important that the external logic must and IO core of the FT220X must not draw more that 50mA, this is because the current limit of the internal 3.3V regulator is 50mA.

5.6 Variable IO Voltage Supply

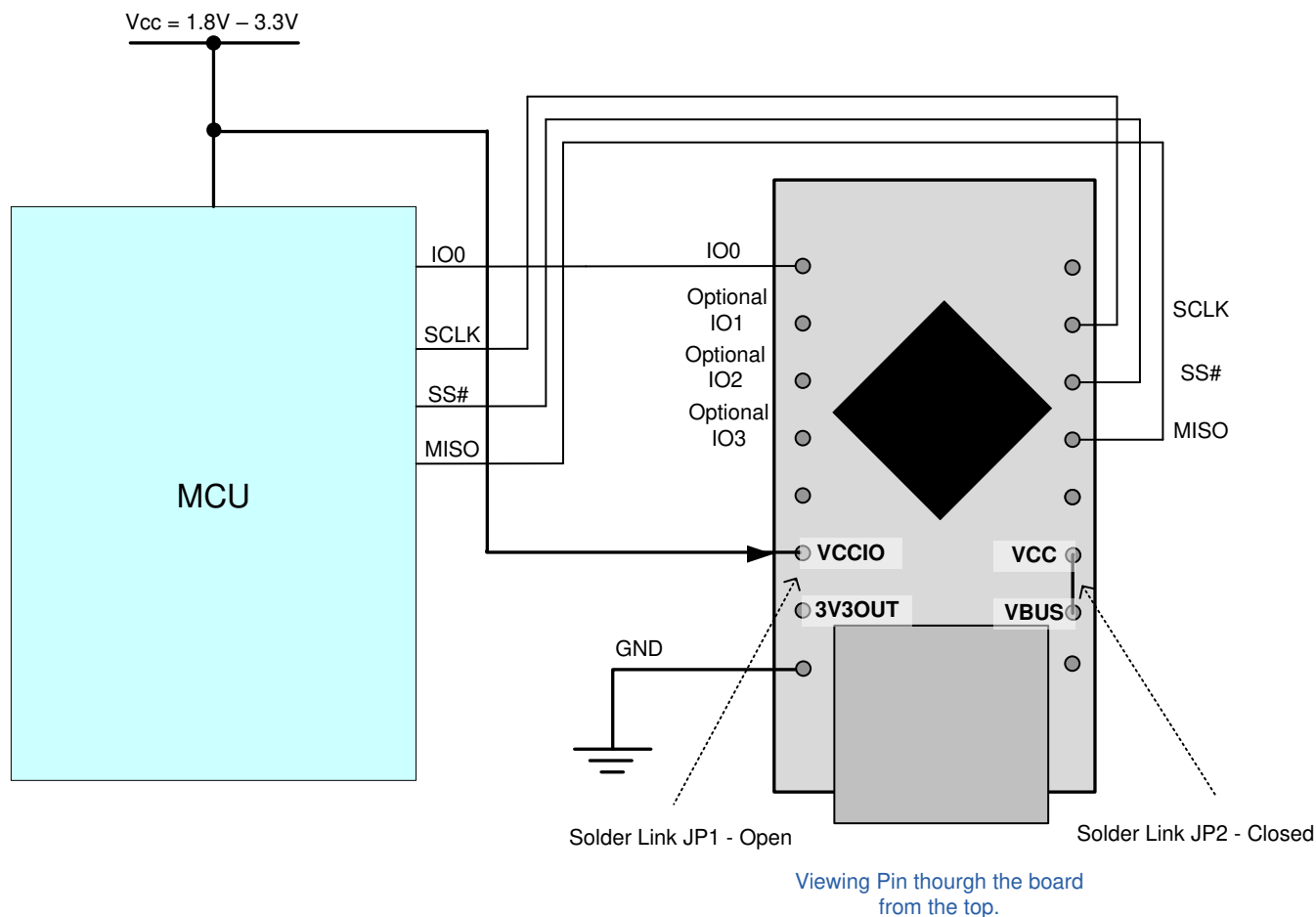


Figure 5.4 – USB Bus Powered 3.3V Logic Drive

The FT220X can process signals at CMOS/TTL logic levels in the range of 1.8V to 3.3V. This section describes how to utilise this feature.

Figure 5.4 shows a configuration where the FT220X is interfaced to a device with IOs operating in the range of 1.8V - 3.3V. The IO ports of this module need to be powered with a voltage level that is equal to the level of the signals it is processing. Since the FT220X's embedded voltage regulator only outputs 3V3 the IO ports will need to be powered from another power source when operating at voltage levels other than 3.3V.

By default, a short is present between 3V3OUT (embedded voltage regulator) and VCCIO (IO port's power input) by solder links JP1. If an external power supply is used to power the IO ports this solder links needs to be open. This can be done by removing the solder linking the two pads of the solder links.

The configuration described in this section can be implemented in either bus-powered mode or self-powered mode.

Note 1: The CBUS and DBUS pins are 5V tolerant; however these signals cannot drive signals at 5V TTL/CMOS. VCCIO is not 5V tolerant; applying 5V to VCCIO will damage the chip.

Note 2: If power is applied to VCCIO and no power is applied to VCC all IOs will be at an unknown state, this however will not damage the chip. The FT220X also has protective circuitry to prevent the chip being damaged by a voltage discrepancy between VCCIO and the level of the signal being processed.

Note 3: When using VCCIO less than 3V3 on a chip from FTDI’s X-chip range, it is recommended to use pull up resistors (47K) to VCCIO on the data lines, all of the UMFT2xxXA-01 devices include an on-board pull-up for these lines.

5.7 3.3V Voltage Supply

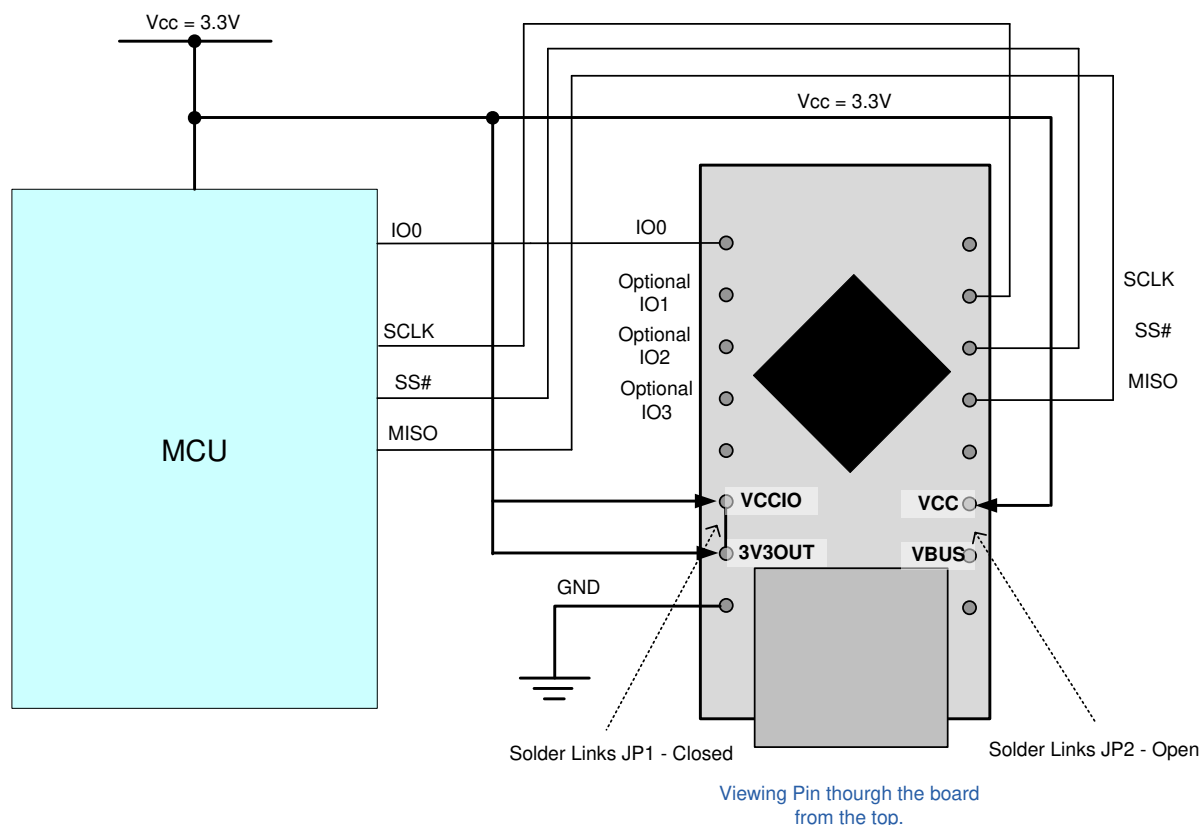


Figure 5.5 – USB Self Powered 3.3V Logic Drive

The FT220X can be powered from a single 3.3V supply. This feature is an alternative to having the FT220X powered at 5V in standard self-powered configuration.

The 3.3V Self Powered configuration is illustrated in Figure 5.5. Note that the 3.3V net is connected to VCC, VCCIO and 3V3OUT.

(Note that Figure 5.5 is for illustration only and that the pins do not actually go all the way through the PCB)

5.8 Configuring the MTP ROM

The FT220X contains an embedded MTP ROM. This can be used to configure the functions of each CBUS pin, the current drive on each signal pin, current limit for the USB bus and the other descriptors of the device. For details on using the MTP ROM/EEPROM programming utility FT_PROG, please see the [FT_PROG User Guide](#) and [FT201X datasheet](#).

When programming the MTP ROM please note:

- i) One of the CBUS Pins can be configured as PWREN# in the internal MTP ROM. This can be used to switch the power supply to the external circuitry.
- ii) The Max Bus Power setting of the MTP ROM should specify the maximum current to be drawn from the USB host/hub when enumerated. For high-powered USB devices the current limit when enumerated is between 100mA and 500mA, for low-powered USB devices the current limit is 100mA.

5.9 Module Dimensions

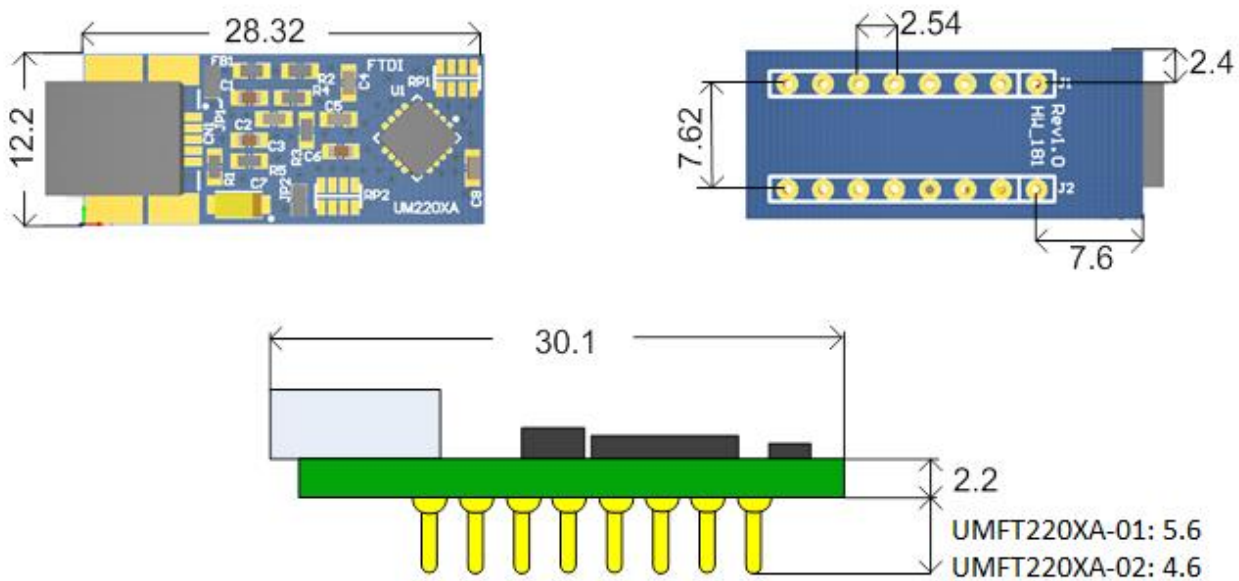
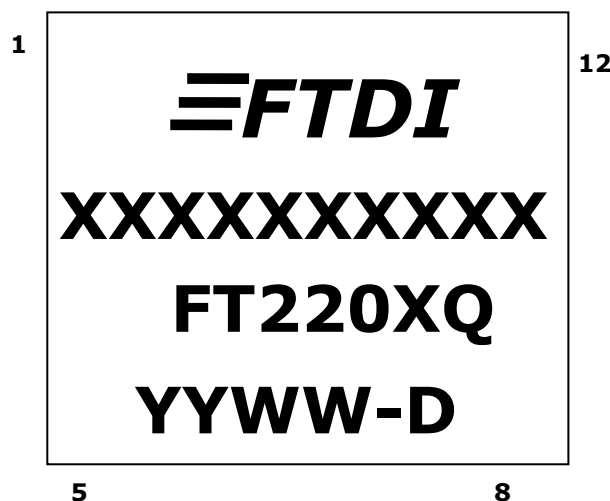


Figure 5.6 – UMFT220XA Module Dimensions

All dimensions are given in millimetres.

The UMFT220XA module exclusively uses lead free components, and is fully compliant with European Union directive 2002/95/EC.

5.10 IC Package Markings



The date code format is **YYXX** where XX = 2 digit week number, YY = 2 digit year number. This is followed by the revision letter.

The code **XXXXXXXX** is the manufacturing LOT code.

6 UMFT220XA Module Circuit Schematic

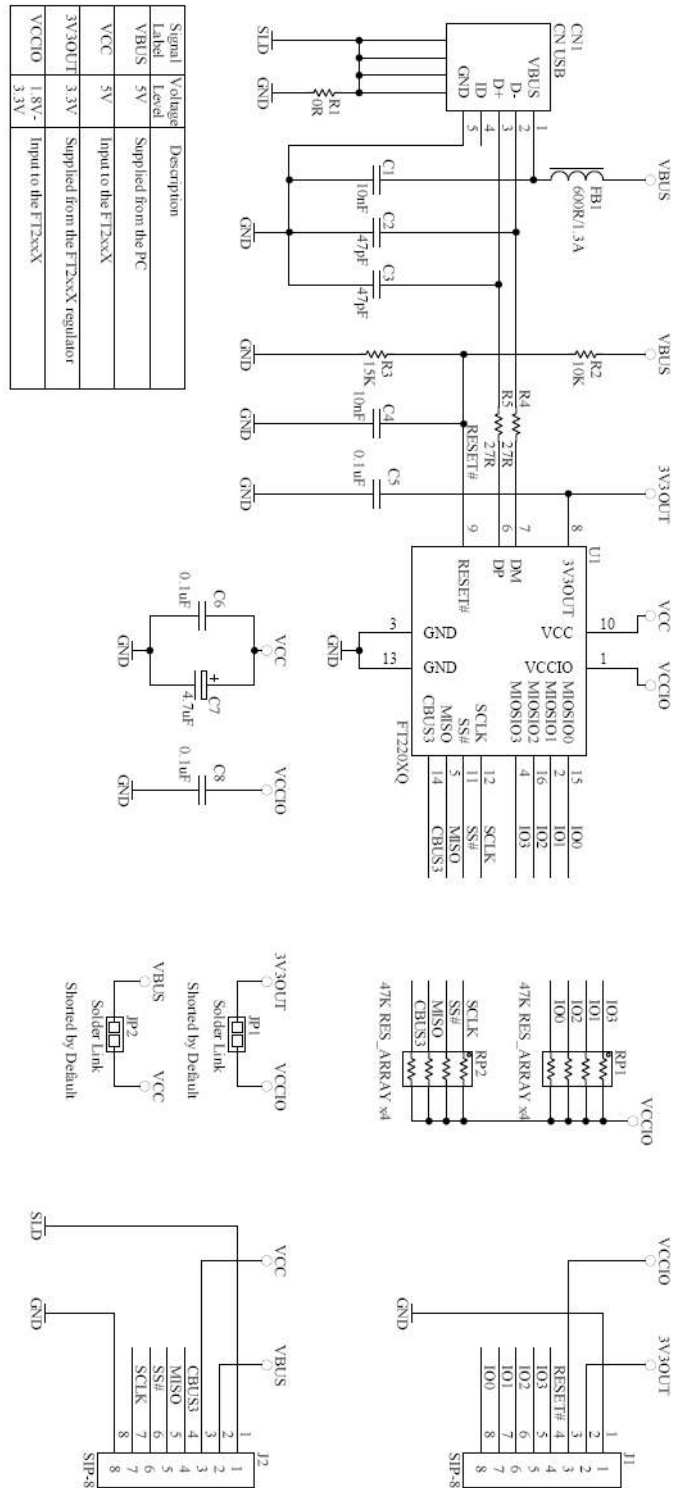


Figure 6.1 – Module Circuit Schematic

7 Internal MTP ROM Configuration

Following a power-on reset or a USB reset the FT220X will scan its internal MTP ROM and read the USB configuration descriptors stored there. The default values programmed into the internal MTP ROM in the FT220XQ used on the UMFT220XA-01 and UMFT220XA-02 are shown in Table 8.1.

| Parameter | Value | Notes |
|-----------------------------------|--------------|---|
| USB Vendor ID (VID) | 0403h | FTDI default VID (hex) |
| USB Product ID (PID) | 6015h | FTDI default PID (hex) |
| Binary Code Decimal (BCD) | 1000h | FTDI default BCD (hex) |
| Serial Number Enabled? | Yes | |
| Serial Number | See Note | A unique serial number is generated and programmed into the MTP ROM during final test of the module. |
| Pull down I/O Pins in USB Suspend | Disabled | Enabling this option will make the device pull down on the FT1248 interface lines when the power is shut off (PWREN# is high). |
| Manufacturer Name | FTDI | |
| Product Description | UMFT220XA-01 | |
| Max Bus Power Current | 90mA | |
| Power Source | Bus Powered | |
| Device Type | FT220X | |
| USB Version | 0200 | Returns USB 2.0 device description to the host. Note: The device is a USB 2.0 Full Speed device (12Mb/s) as opposed to a USB 2.0 High Speed device (480Mb/s). |
| Remote Wake Up | Enabled | Taking RI# low will wake up the USB host controller from suspend. |
| High Current I/Os | Disabled | Enables the high drive level on the I2C and CBUS I/O pins. |
| Load VCP Driver | Enabled | Makes the device load the CVP driver interface for the device. |
| CBUS3 | Tristate | |

Table 7.1 – Default Internal MTP ROM Configuration

The internal MTP ROM in the FT220X can be programmed over USB using the utility program FT_PROG. FT_PROG can be downloaded from the www.ftdichip.com. Users who do not have their own USB vendor ID but who would like to use a unique Product ID in their design can apply to FTDI for a free block of unique PIDs. Contact [FTDI Support](mailto:support1@ftdichip.com) (support1@ftdichip.com) for this service, also see [TN_100](#) and [TN_101](#).

8 Contact Information

Head Office – Glasgow, UK

Future Technology Devices International Limited
Unit 1, 2 Seaward Place, Centurion Business Park
Glasgow G41 1HH
United Kingdom
Tel: +44 (0) 141 429 2777
Fax: +44 (0) 141 429 2758

E-mail (Sales) sales1@ftdichip.com
E-mail (Support) support1@ftdichip.com
E-mail (General Enquiries) admin1@ftdichip.com

Branch Office – Tigard, Oregon, USA

Future Technology Devices International Limited
(USA)
7130 SW Fir Loop
Tigard, OR 97223-8160
USA
Tel: +1 (503) 547 0988
Fax: +1 (503) 547 0987

E-Mail (Sales) us.sales@ftdichip.com
E-Mail (Support) us.support@ftdichip.com
E-Mail (General Enquiries) us.admin@ftdichip.com

Branch Office – Taipei, Taiwan

Future Technology Devices International Limited
(Taiwan)
2F, No. 516, Sec. 1, NeiHu Road
Taipei 114
Taiwan, R.O.C.
Tel: +886 (0) 2 8797 1330
Fax: +886 (0) 2 8751 9737

E-mail (Sales) tw.sales1@ftdichip.com
E-mail (Support) tw.support1@ftdichip.com
E-mail (General Enquiries) tw.admin1@ftdichip.com

Branch Office – Shanghai, China

Future Technology Devices International Limited
(China)
Room 1103, No. 666 West Huaihai Road,
Shanghai, 200052
China
Tel: +86 21 62351596
Fax: +86 21 62351595

E-mail (Sales) cn.sales@ftdichip.com
E-mail (Support) cn.support@ftdichip.com
E-mail (General Enquiries) cn.admin@ftdichip.com

Web Site

<http://ftdichip.com>

Distributor and Sales Representatives

Please visit the Sales Network page of the [FTDI Web site](#) for the contact details of our distributor(s) and sales representative(s) in your country.

System and equipment manufacturers and designers are responsible to ensure that their systems, and any Future Technology Devices International Ltd (FTDI) devices incorporated in their systems, meet all applicable safety, regulatory and system-level performance requirements. All application-related information in this document (including application descriptions, suggested FTDI devices and other materials) is provided for reference only. While FTDI has taken care to assure it is accurate, this information is subject to customer confirmation, and FTDI disclaims all liability for system designs and for any applications assistance provided by FTDI. Use of FTDI devices in life support and/or safety applications is entirely at the user's risk, and the user agrees to defend, indemnify and hold harmless FTDI from any and all damages, claims, suits or expense resulting from such use. This document is subject to change without notice. No freedom to use patents or other intellectual property rights is implied by the publication of this document. Neither the whole nor any part of the information contained in, or the product described in this document, may be adapted or reproduced in any material or electronic form without the prior written consent of the copyright holder. Future Technology Devices International Ltd, Unit 1, 2 Seaward Place, Centurion Business Park, Glasgow G41 1HH, United Kingdom. Scotland Registered Company Number: SC136640

Appendix A – References

Document References

[DS_FT201x](#)

[DS_FT220X](#)

[DS_FT221X](#)

[DS_FT230X](#)

[DS_FT231X](#)

[DS_FT240X](#)

[DS_UMFT230XA](#)

[AN232R-01](#)

[AN_124 User Guide for FT Prog](#)

[TN_100 USB VID-PID Guidelines](#)

[TN_101 Guide to Debugging Customers Failed Driver Installation](#)

Acronyms and Abbreviations

| Terms | Description |
|------------------|--------------------------|
| DIP | Dual In-line Package |
| DLL | Dynamic Link Library |
| IC | Integrated Circuit |
| I ² C | Inter Integrated Circuit |
| OS | Operating System |
| PCB | Printed Circuit Board |
| ROM | Read Only Memory |
| USB | Universal Serial Bus |
| VCP | Virtual COM Ports |

Appendix B - List of Figures and Tables

List of Figures

| | |
|--|----|
| Figure 4.1 – Module Pin Out | 5 |
| Figure 5.1 – Bus Powered Configuration | 9 |
| Figure 5.2 – Self-Powered Configuration | 10 |
| Figure 5.3 – Bus Powered with Power Switching Configuration..... | 11 |
| Figure 5.4 – USB Bus Powered 3.3V Logic Drive | 12 |
| Figure 5.5 – USB Self Powered 3.3V Logic Drive | 13 |
| Figure 5.6 – UMFT220XA Module Dimensions | 14 |
| Figure 6.1 – Module Circuit Schematic..... | 15 |

List of Tables

| | |
|--|----|
| Table 4.1 – Module Pin Out Description..... | 6 |
| Table 4.2 – CBUS Signal Options | 7 |
| Table 5.1 – Solder Links JP1 Pin Description..... | 8 |
| Table 5.2 – Solder Links JP2 Pin Description..... | 8 |
| Table 7.1 – Default Internal MTP ROM Configuration | 16 |

Appendix C – Revision History

Document Title: UMFT220XA USB to 4-bit SPI/FT1248 Development Module Datasheet
Document Reference No.: FT_000517
Clearance No.: FTDI# 267
Product Page: <http://www.ftdichip.com/FT-X.htm>
Document Feedback: [Send Feedback](#)

| Revision | Changes | Date |
|----------|---|------------|
| 1.0 | Initial Release | 2012-02-09 |
| 1.0 | Added links, references to silicon revision, TID and logos | 2012-06-13 |
| 1.2 | Added a section for package marking and changed TIDs | 2013-01-29 |
| 1.3 | Added ordering information and support for Win 10 | 2016-04-12 |
| 1.4 | Removed TXLED/RXLED/TX&RXLED CBUS functionality. Document template changes made. | 2019-02-22 |