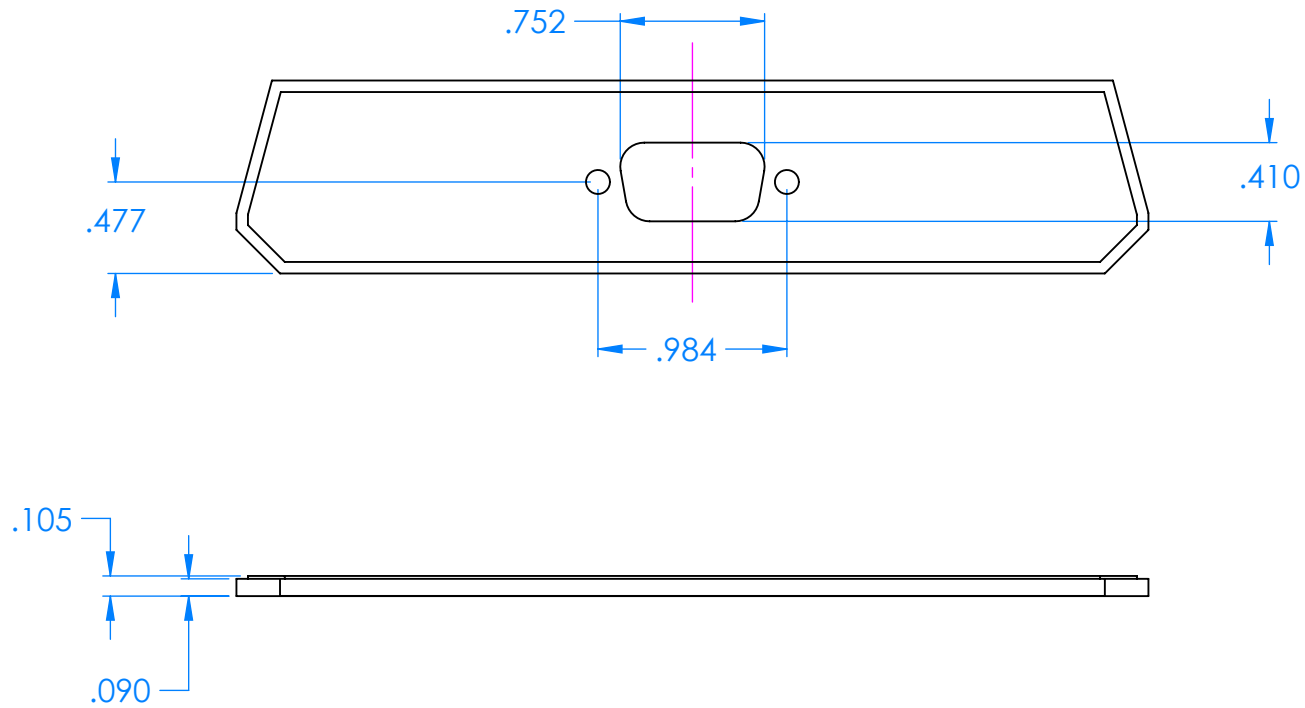


SERPAC 2020, DB9 for A41

Electronic Enclosures



NOTES:

Cutout located to accept a D-sub standard surface mount DB9 connector (male or female) using a .065" thick circuit board.

SERPAC **X/42**

Electronic Enclosures

NOTES:

Max. usable inside dimensions are:
18.29" X 13.19" X 662" (curved enclosure)

ALL DIMENSIONS ARE ± .010" 3/10/05
619 Commercial Ave. Covina, CA 91723
Ph. (626) 331-0517 Fx. (626) 331-8584 serpac.com

The following components fit this enclosure