

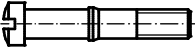
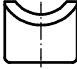

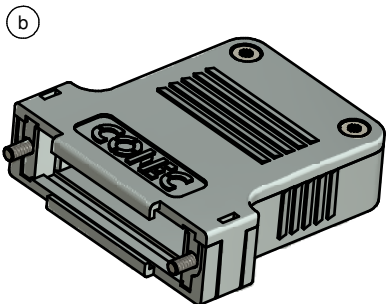


b

| | |
|---|---|
|  CABLE STRAIN RELIEF (1x) |  LENS HEAD SCREW (2x) |
|  SHORT SCREW (2x) |  PRESS INSERT (1x) |
| |  COVER SCREW (2x) |



b

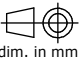

NOTES:

1. HOOD + COVER: ABS UL 94 V-0; METALLIZED
2. CABLE STRAIN RELIEF: STEEL; NICKEL PLATED
3. PRESS INSERT: ABS UL 94 V-0; METALLIZED
4. SHORT SCREWS: STEEL; NICKEL PLATED
5. COVER SCREWS: STEEL; NICKEL PLATED
6. LENS HEAD SCREWS: STEEL; NICKEL PLATED

TECHNICAL DATA:

- TEMPERATURE RANGE: -33°C to + 90°C

Directive 2002/95/EC RoHS compliant

| | | | | | | |
|---|-------------|------------|-----------------|--|---|---------------------|
| THIS DRAWING MAY NOT BE COPIED OR REPRODUCED IN ANY WAY, AND MAY NOT BE PASSED ON TO A THIRD PARTY WITHOUT WRITTEN PERMISSION. OWNERSHIP AND COPYRIGHT OF CONEC GmbH DO NOT ALTER CAD DRAWING BY HAND | | | | tolerance |  | scale: 2:1 |
| | | | | date | name | material: SEE NOTES |
| | | | | drawn | 03.09.14 | Unkrüer |
| | | | | appd. | 03.09.14 | Lehmenkühler |
| | | | | norm | | |
| | | | | d-old | 16K2A171A | |
| 3 x b | Ä 5304 | 03.09.2014 | Unkrüer | title: PLASTIC HOOD 25pos. with straight cable exit dwg no: 16K1A3495 part no: 165X13489X | | |
| a | Original | | | | | |
| rev. | description | date | name |  | | |
| | | | DIN-A3 sh: 1 | | | |