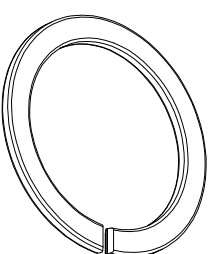
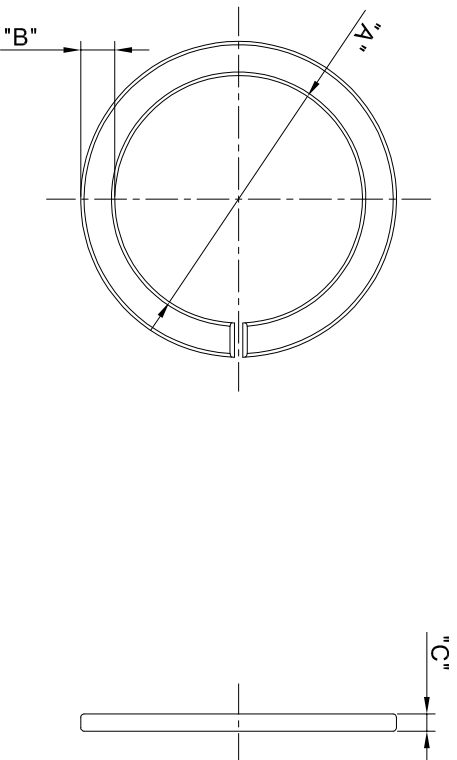


REVISIONS				
REV	ECO	DESCRIPTION	DATE	BY APPR
A1		FIRST RELEASED	Apr.05.2016	Drack Tommy
A2		UPDATE THE NOTES	Jul.20.2016	Drack Tommy
A3		ADD 16# & 18# PART	Nov.22.2017	Nick Tommy



SHELL	P/N	DIM A	DIM B	DIM C
8#	RTS8CCRX	Ø11.2	2.0	1.0
10#	RTS10CCRX	Ø14.5	2.0	1.0
12#	RTS12CCRX	Ø18.5	1.9	1.2
14#	RTS14CCRX	Ø21.7	1.9	1.8
16#	RTS16CCRX	Ø24.2	1.9	1.0
18#	RTS18CCRX	Ø27.6	1.9	1.0

"X" DENOTE COLOR:  
 WHEN "X"="G", GREEN, PANTONE 348C.  
 WHEN "X"="R", RED, PANTONE 194C.  
 WHEN "X"="Y", YELLOW, PANTONE 123C.

NOTES : (UNLESS OTHERWISE SPECIFIED)  
 1. MATERIAL : THERMOPLASTIC , UI94 V-0.

2. SPECIFICATIONS :  
 2.1. OPERATING TEMPERATURE : -40°C ~ 125°C.  
 2.2. ROHS COMPLIANT.

3. ALL DIMENSIONS ARE FOR REFERENCE USE ONLY.

QUANTITY	PART NUMBER	DESCRIPTION	ITEM
<b>MATERIALS LIST</b>			

UNLESS OTHERWISE SPECIFIED		SIGNATURES		DATE	
1) All dimensions are in millimeters.		DRAWN:	Nick	Nov.22.2017	
2) Tolerances are as follows:		CHECKED:	Tommy	Nov.22.2017	
1 Pl. DEC 20.93 Fractions 1/16"		ENGINEER:			
3 Pl. DEC 20.08 Angles 1°		APPROVAL:	Tommy	Nov.22.2017	
3) Note reference =		CUSTOMER:			
MATERIAL SPECIFICATIONS:		THIS DRAWING IS SUBJECT TO SPECIFICATIONS AND PERFORMANCE DATA OF THE AMPHENOL CORPORATION. ALL DIMENSIONS ARE TOLERANCES UNLESS OTHERWISE SPECIFIED. ALL DIMENSIONS ARE IN MILLIMETERS UNLESS OTHERWISE SPECIFIED. ALL DIMENSIONS ARE IN MILLIMETERS UNLESS OTHERWISE SPECIFIED.			
PROCESS SPECIFICATIONS:		ECO-MATE IDENTIFY RING			
NEXT ASST:		SIZE 08, 10, 12, 14, 16, 18			

SCALE: NONE		SHEET 1 OF 1	
B C-		RTSXCCRX	
A3		REVISION	

**Amphenol**

Sine Systems - www.amphenol-sine.com  
 44724 Morley Drive  
 Clinton Township, MI 48036

ECO-MATE IDENTIFY RING  
 SIZE 08, 10, 12, 14, 16, 18