

| MATERIAL NO. | ENGINEERING NO. | FINISHED LENGTH  |
|--------------|-----------------|------------------|
| 1300080323   | 309000A01F030   | 3 FT. (0.91 M)   |
| 1300080339   | 309000A01F400   | 40 FT. (12.19 M) |
| 1300080344   | 309000A01F750   | 75 FT. (22.86 M) |

**CABLE LENGTH TOLERANCES**

<.3M [1FT]: +19mm-0 [ +.75in-0]

.3 - .9M [1 - 3FT]: +44.5mm-0 [+1.75in-0]

.9 - 1.8M [3 - 6FT]: +55.6mm-0 [+2.19in-0]

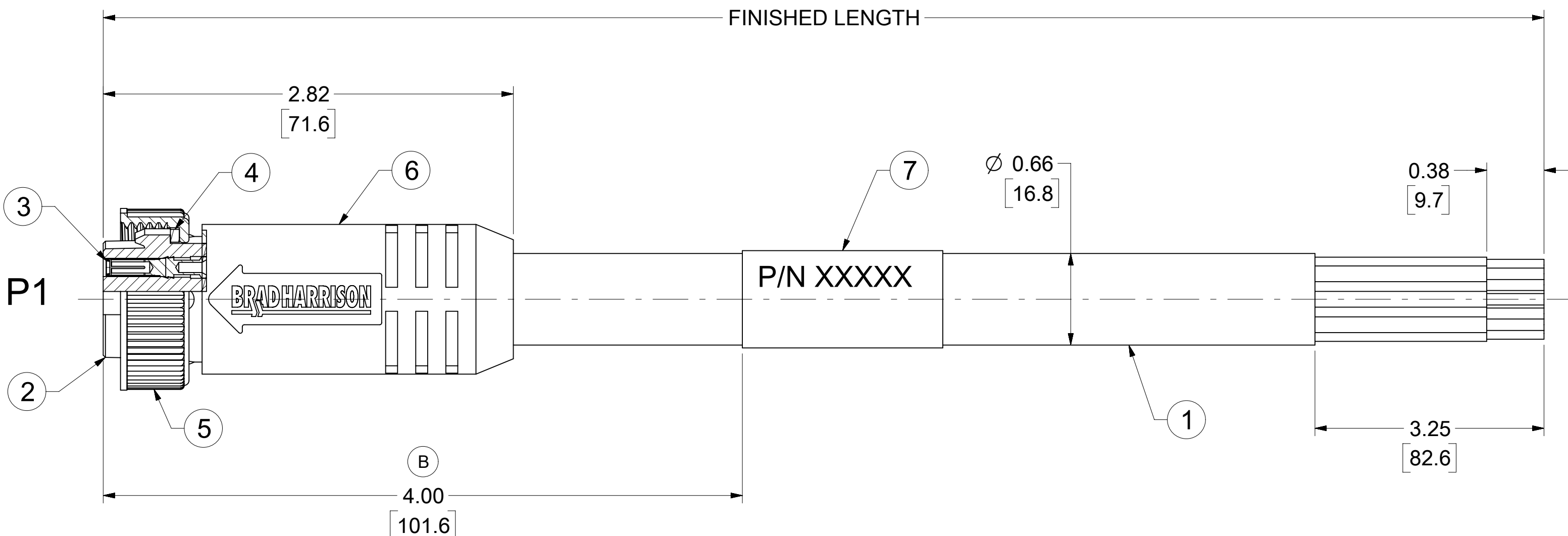
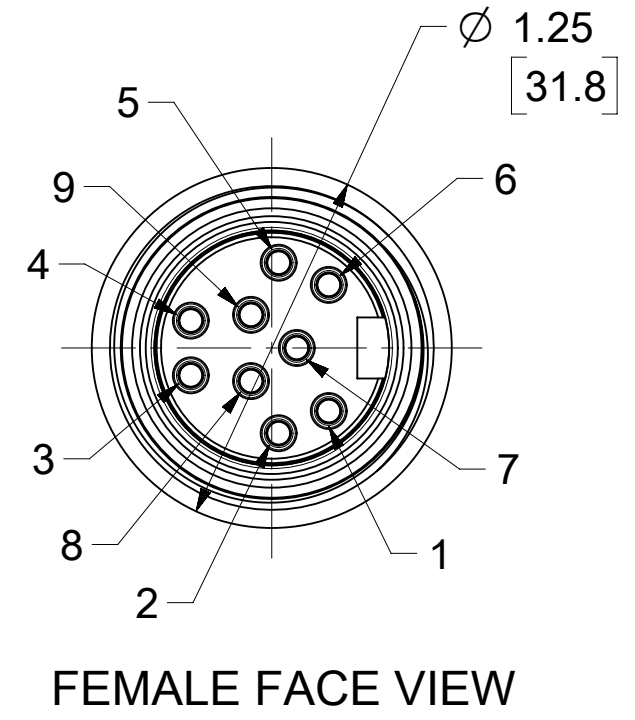
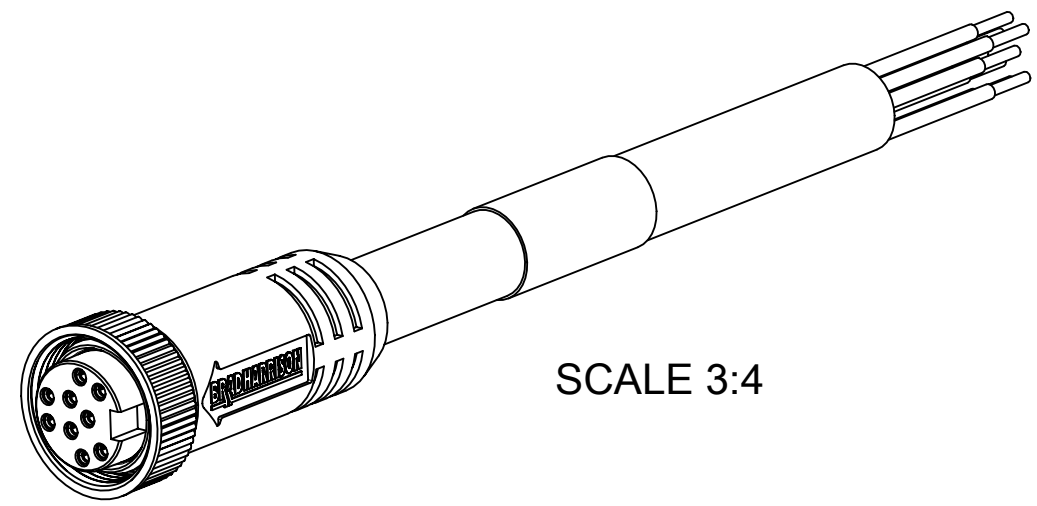
1.8 - 3.7M [6 - 12FT]: +88.9mm-0 [+3.50in-0]

3.7 - 7.3M [12 - 24FT]: +165.1mm-0 [+6.50in-0]

7.3-14.6M [24 - 48FT]: +317.5mm-0 [+12.50in-0]

14.6 - 30.5M [48-100FT]: +622.3mm-0 [+24.50in-0]

OVER 30M [100FT] +2% OF FINISHED LENGTH



- NOTES:**
- MATERIAL: AS NOTED
  - FINISH: AS NOTED
  - ELECTRICAL:  
VOLTAGE: 320V PER IEC60664  
600V PER UL2238  
CURRENT: 7A
  - TEMP RATING: -20°C TO +105°C
  - PROTECTION: IP67 (WHEN MATED)
  - CSA CERTIFIED FILE: LR6837
  - UL RECOGNIZED FILE: E152210
  - COUPLING THREAD: 1 1/8"-16UN
  - ASSEMBLY IS ROHS COMPLIANT
  - ALL DIMS ARE FOR REFERENCE UNLESS TOLERANCED OR NOTED OTHERWISE

**WIRING DIAGRAM**

| P1 | Color        |
|----|--------------|
| 1  | ORANGE       |
| 2  | BLUE         |
| 3  | RED/BLACK    |
| 4  | GREEN/BLACK  |
| 5  | WHITE        |
| 6  | RED          |
| 7  | GREEN/YELLOW |
| 8  | WHITE/BLACK  |
| 9  | BLACK        |

**PART NUMBER MATRIX**

309000A01F030

FINISHED LENGTH  
F001= .1 FT  
F020= 2 FT  
F200= 20 FT

| 7    | LABEL                  | VINYL         | BLACK/YELLOW     |
|------|------------------------|---------------|------------------|
| 6    | OVERMOLD               | TPE           | YELLOW           |
| 5    | COUPLING NUT           | ZINC DIE CAST | BLACK E-COAT     |
| 4    | FRICTION RING          | NYLON         | NATURAL          |
| 3    | SOCKET CONTACT         | Cu ALLOY      | GOLD OVER NICKEL |
| 2    | FEMALE INSERT          | TPE           | YELLOW           |
| 1    | #16-9, CABLE, STOOV/ST | PVC JACKET    | YELLOW           |
| ITEM | DESCRIPTION            | MATERIAL      | FINISH           |

THIS DRAWING CONTAINS INFORMATION THAT IS PROPRIETARY TO MOLEX ELECTRONIC TECHNOLOGIES, LLC AND SHOULD NOT BE USED WITHOUT WRITTEN PERMISSION

|  |         |   |  |                          |                |
|--|---------|---|--|--------------------------|----------------|
| DIMENSION UNITS                                      | SCALE   | CURRENT REV DESC: UPDATED ITEM #2.6.7, LABEL DIM. AND MATERIAL P/N TABLE . ADDED CSA, UL, IEC VOLT, TEMP RATING, IP RATING, TOL. CHART AND PART NUMBER MATRIX | <b>molex</b>   |                          |                |
| INCH/MM  | 1.5:1   |   |  |                          |                |
| GENERAL TOLERANCES (UNLESS SPECIFIED)                |         | EC NO: 673727<br>DRWN: AKABADI<br>CHK'D: RSTONE<br>APPR: BWOODMAN   | MINI-CHANGE CORDSET, C SIZE<br>9 POLE, FEMALE, STRAIGHT, SINGLE KEY, 16AWG |                          |                |
| 4 PLACES   | ±       |   | 2021/06/28   | PRODUCT CUSTOMER DRAWING |                |
| 3 PLACES   | ±       | 2021/08/13  | DOCUMENT NUMBER  |                          |                |
| 2 PLACES   | ± 0.01  | 2021/08/27  | DOC TYPE   DOC PART   REVISION   |                          |                |
| 1 PLACE  | ± 0.3   |   | SD-130008-004   PSD   001   B  |                          |                |
| 0 PLACES   | ±       |   | MATERIAL NUMBER   CUSTOMER   SHEET NUMBER                                  |                          |                |
| ANGULAR TOL  | ± 0.5 ° | INITIAL REVISION:<br>DRWN: RSTONE<br>APPR: JFMURPHY   | 2009/03/18<br>2009/04/01   | SEE TABLE                | GENERAL MARKET |
| DRAFT WHERE APPLICABLE MUST REMAIN WITHIN DIMENSIONS |         | THIRD ANGLE PROJECTION  | DRAWING  | SERIES                   |                |
|  |         |   | C-SIZE   | 130008                   | 1 OF 1         |