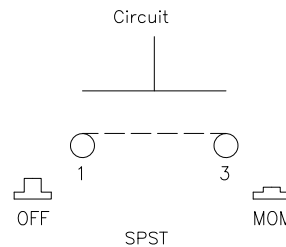
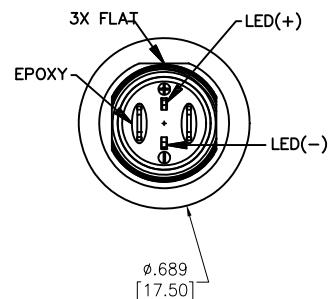
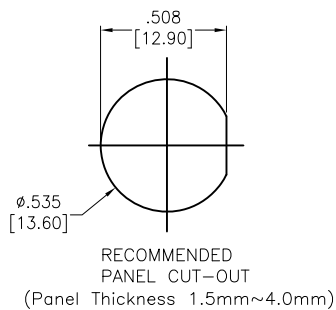
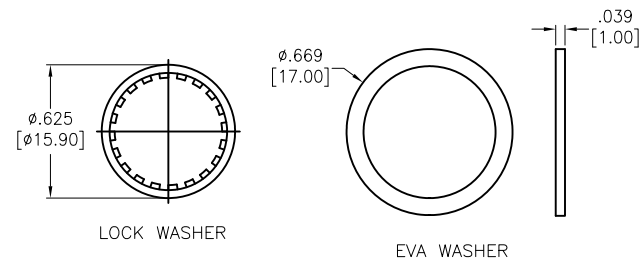
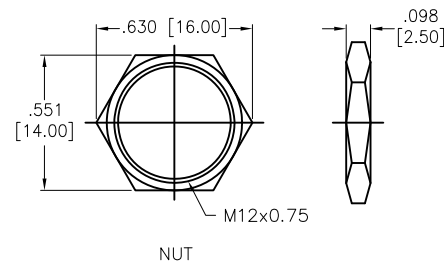
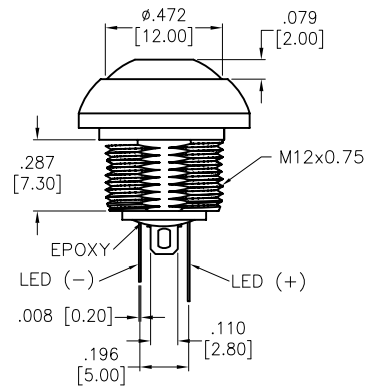
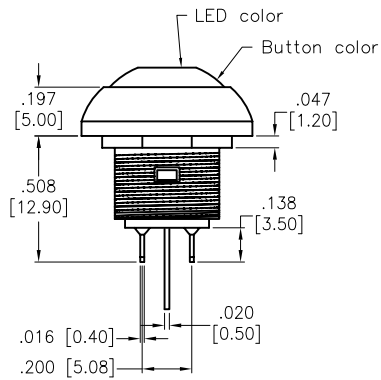


APPROVED: \_\_\_\_\_  
 DATE: \_\_\_\_\_ TITLE: \_\_\_\_\_

Rev	AWO #	Description	Date	Appr
-		RELEASED	2/18/21	



SW-PB11-2CSXX-10

Button Color		LED Color	
R	Red	R	Red
G	Green	G	Green
Y	Yellow	Y	Yellow
O	Orange	B	Blue
B	Blue	W	White
W	White		
K	Black		

**SPECIFICATIONS:**

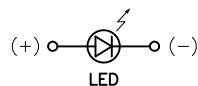
Material:  
 Case: Dially Phthalate, rated UL 94V-0  
 Cap: Polyamide66, Color: See Chart  
 Bushing: Polyamide 66  
 Terminal/Contact: Gold over Silver Plated  
 Electrical:

Switch Rating: 400mA @ 32V AC  
 100mA @ 50V DC  
 125mA @ 125V AC

Contact resistance: 50 mΩ max.  
 Insulation resistance: 1G ohms min @ 500V DC.  
 Dielectric withstanding voltage: 1000V RMS, 50Hz.  
 Electrical Life: 500,000 cycles min at full load.

Temperature Rating:  
 Operating temperature: -30°C to +85°C

Environmental:  
 Sealed IP67 Rated (Front Panel)  
 Lead free, RoHS compliant



UNLESS OTHERWISE SPECIFIED ALL DIMENSIONS ARE INCHES [MM] TOLERANCES: EXCEPT AS NOTED			
INCHES		HOLES	
.X	± .10	ø.X	± .10
.XX	± .020	ø.XX	± .015
.XXX	± .015	ø.XXX	± .010
APPROVALS		DATE	
DRAWN	LH	2/18/21	
CHECKED	AC	2/18/21	
APPROVED			



909 Rahway Avenue,  
 Union, NJ 07083  
 Phone: 908-687-5000  
 Fax: 908-687-5710

TITLE IP67 PUSH BUTTON SWITCH, SOLDER TYPE, LIGHTED, SPST, OFF-MOMENTARY, GOLD OVER SILVER PLATED			
SIZE X	PART NO. SW-PB11-2CSXX-10	REV. -	
REF: S00198T	SCALE: NTS	SHEET 1 OF 1	