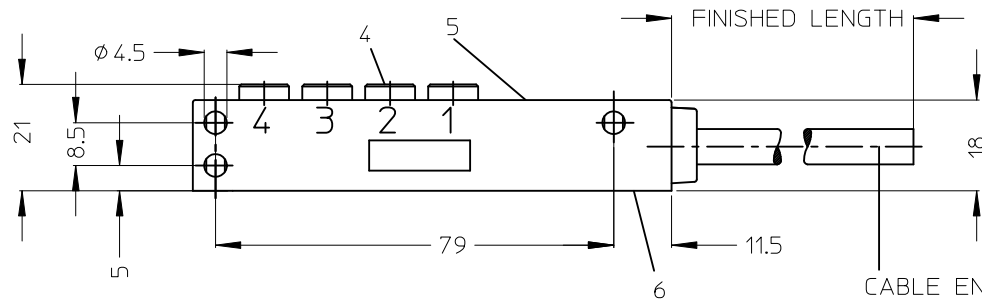
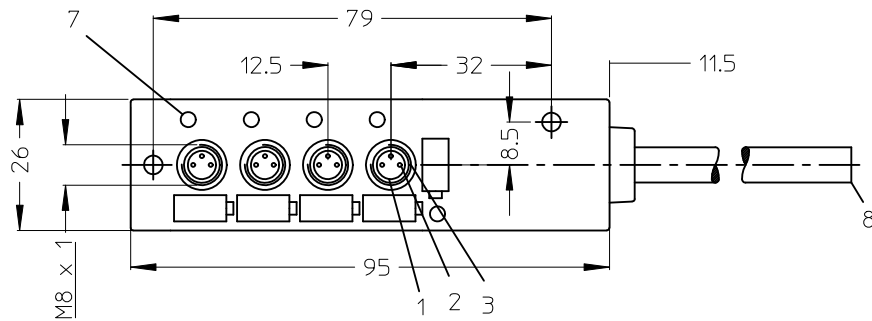


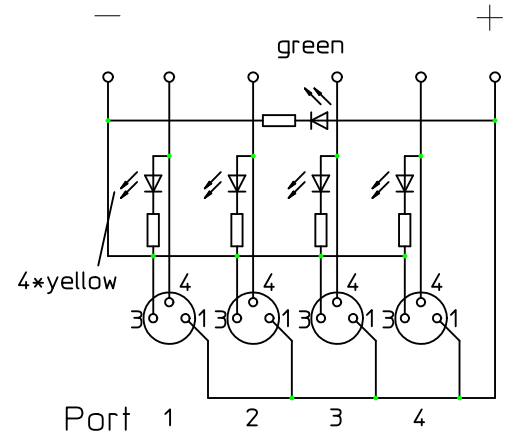
SAP-NUMBER	OLD PART NUMBER	FINISHED LENGTH
1201130004	BEY401P-FBM-05	5 000
1201130005	BEY401P-FBM-10	10 000



CABLE END:
 OUTER SHEATH STRIPPED 100 mm
 CONDUCTOR STRIP 5 mm

CLOSURE CAP

SAP no. 1203080677
 Quantity: 2



Contact configuration	wire colour	wire mm ²	Port	M8 connector Contact-No.
	brown (+)	0.75	1-4	1
	blue (-)	0.75	1-4	3
	white	0.34	1	4
	green	0.34	2	4
	yellow	0.34	3	4
	grey	0.34	4	4

VOLTAGE RATING	10 - 30 VDC
AMPERAGE RATING PER PORT	2AMPS MAX/PORT 6AMPS TOTAL PER MPIS UNIT
PROTECTION	IP67
OPERATING TEMPERATURE	-25°C to 90°C

ITEM	COMPONENT	MATERIAL	FINISH
1	INSERT	PUR	black
2	CONTACT SOCKET	BRASS	GOLD OVER NICKEL
3	O-RING	VITON	---
4	RECEPTACLE SHELL	BRASS	NICKEL PLATED
5	HOUSING	PBT	YELLOW
6	LABEL	ABS	WHITE
7	LENS	PA	CLEAR
8	CABLE	PUR/PVC	---

NEW RELEASE
 EC NO: WEU2010-0248
 DRWN:SBH 2010/01/08
 CHKD:APOHL_WEU 2010/01/08
 APPR:INSTAUDIGEL 2010/01/29

QUALITY SYMBOLS

DESCRIPTION
 REV

	GENERAL TOLERANCES (UNLESS SPECIFIED)	
	mm	INCH
4 PLACES	± ---	± ---
3 PLACES	± ---	± ---
2 PLACES	± ---	± ---
1 PLACE	± 0.3	± ---
ANGULAR ± ---°		

DRAFT WHERE APPLICABLE
 MUST REMAIN WITHIN DIMENSIONS

DIMENSION STYLE
MM ONLY

DRAWN BY: SBH
 DATE: 2010/01/08

CHECKED BY: APOHL_WEU
 DATE: 2010/01/08

APPROVED BY: INSTAUDIGEL
 DATE: 2010/01/29

MATERIAL NO.
SEE TABLE

SIZE
A3

SCALE: DESIGN UNITS: METRIC

THIRD ANGLE PROJECTION

TITLE: **M8-MPIS 4 PORT CABLE
 3 POL STRAIGHT OUTLINE**

MOLEX INCORPORATED

DOCUMENT NO.: **SD-120113-011**

SHEET NO.: **1 OF 1**

THIS DRAWING CONTAINS INFORMATION THAT IS PROPRIETARY TO MOLEX INCORPORATED AND SHOULD NOT BE USED WITHOUT WRITTEN PERMISSION