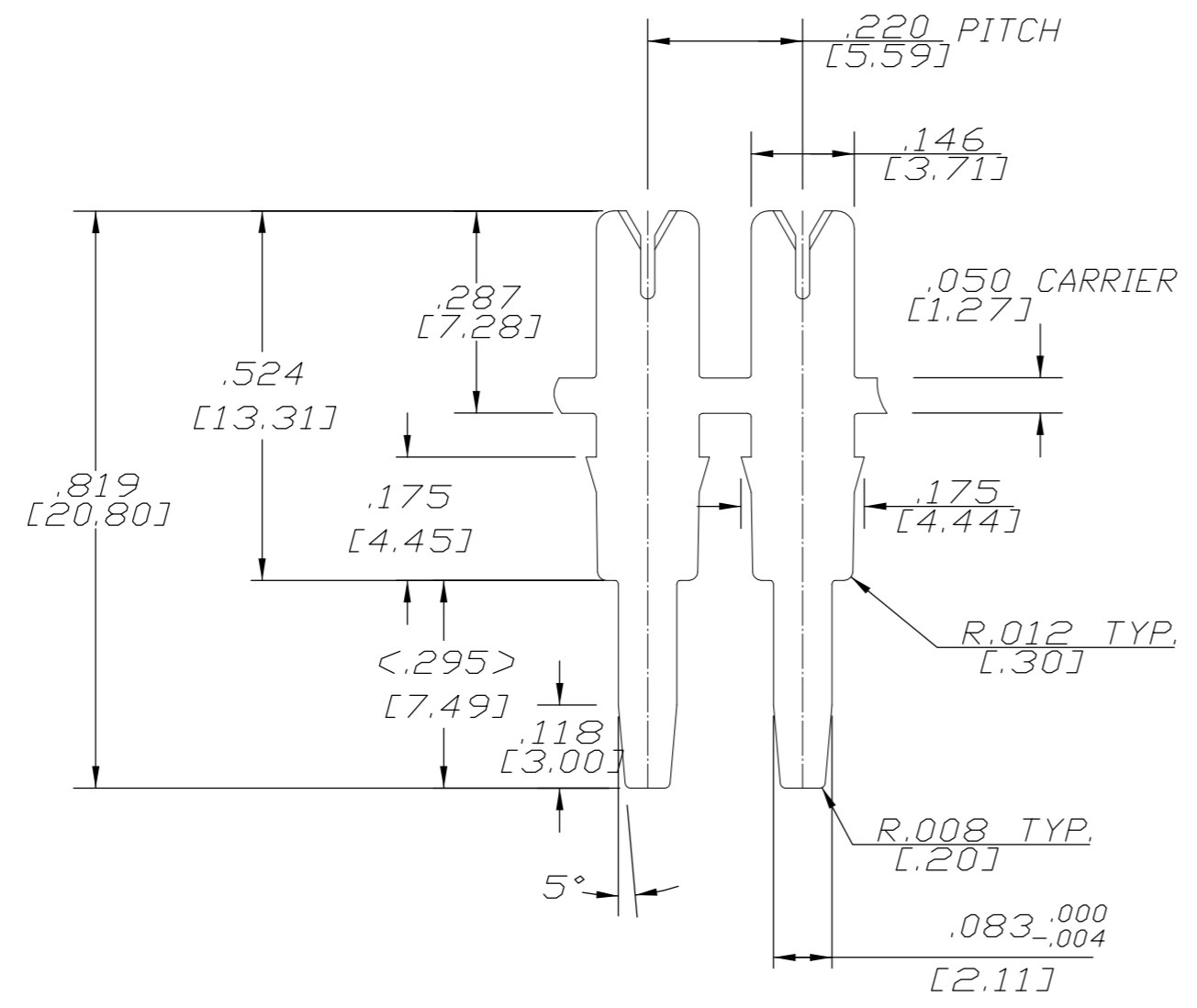
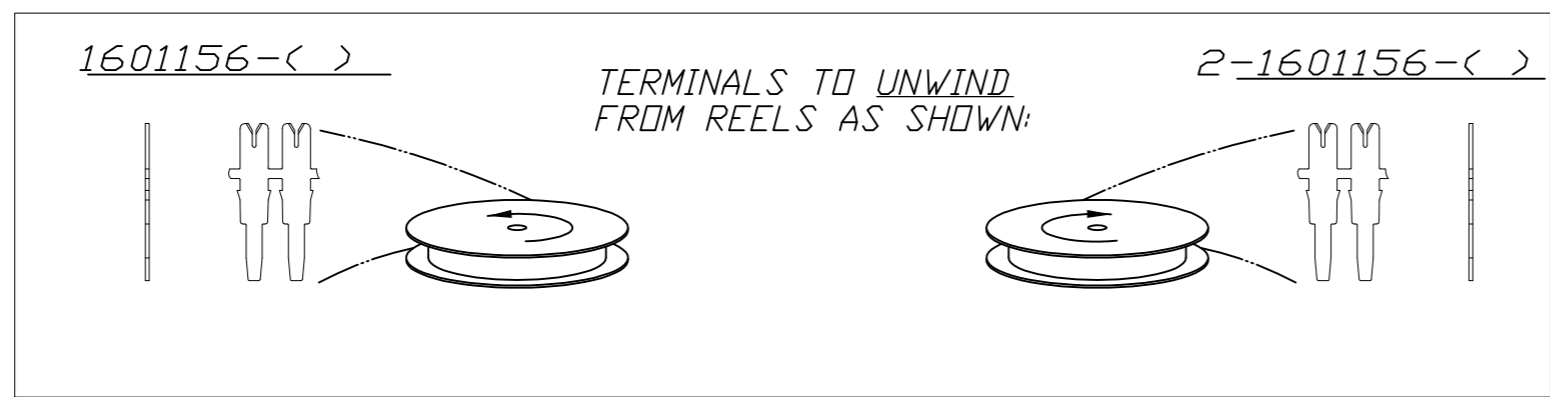
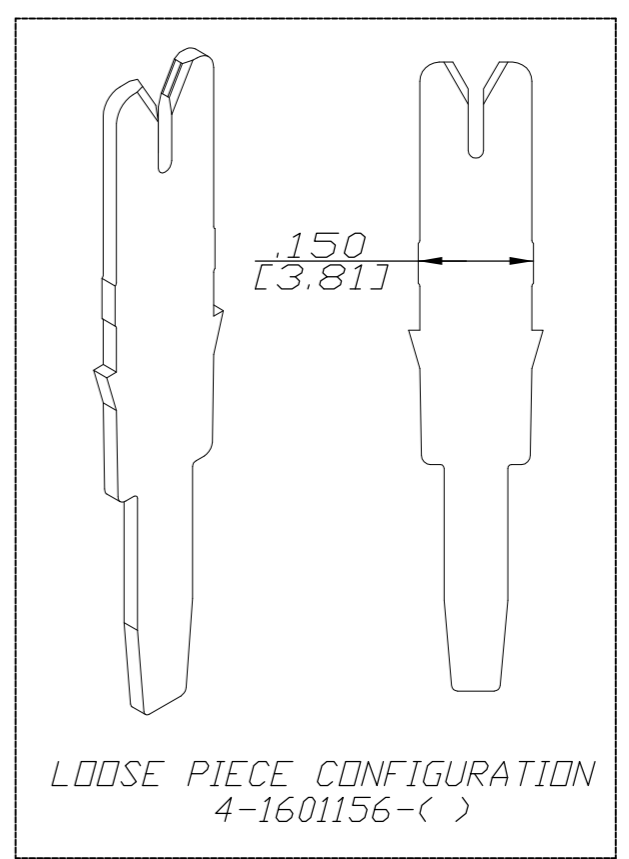


THIS DRAWING IS UNPUBLISHED. RELEASED FOR PUBLICATION
 © COPYRIGHT BY TYCO ELECTRONICS CORPORATION. ALL RIGHTS RESERVED.

LOC	DIST	REVISIONS			
P	LTR	DESCRIPTION	DATE	DWN	APVD
AF	50	B	REV PER 0G63-0094-02	15AUG02	JR KR
		B1	REVISED PER ECO-09-024606	28OCT09	KK AEG



- SPECIFICATIONS:**
LEAD WIRE #20 AWG,
INSULATED LEAD WIRE.
MAX INSULATION O.D. .115" (2.9MM)
NO STRIPPING REQUIRED. OTHER
SIZES MAY BE ACCOMMODATED,
CONSULT TYCO ELECTRONICS FOR APPROVAL.
- POCKET RECOMMENDATION:**
CONSULT TYCO ELECTRONICS FOR POCKET
RECOMMENDATIONS.
- NOTES:**
TERMINALS SUPPLIED ON REELS,
CAN BE SUPPLIED LOOSE PIECE,
- 4** OBSOLETE PARTS: OBSOLETE CIS STREAMLINING
PER D.RENAUD/D.SINISI



4 OBSOLETE

-	-	-
-	-	-
-	-	-
-	-	-
Unplated	159-028-000	2-1601156-1
Unplated	159-027-000	1601156-1
FINISH	REFERENCE PART NUMBER	TYCO PART NUMBER
THIS DRAWING IS A CONTROLLED DOCUMENT.		
DIMENSIONS: INCHES	TOLERANCES UNLESS OTHERWISE SPECIFIED:	DWN J.WELLER 11JAN2002
	0 PLC ± -	CHK M.FEHER 11JAN2002
	1 PLC ± -	APVD K.RANDOLPH 11JAN2002
	2 PLC ± .01[0.13]	NAME
	3 PLC ± .005[0.26]	PRODUCT SPEC
	4 PLC ± -	APPLICATION SPEC
	ANGLES ± 2°	408-8629
MATERIAL BRASS, SPRING HARD	FINISH SEE TABLE	WEIGHT -
		SIZE A2
		CAGE CODE 00779
		DRAWING NO. C=1601156
		RESTRICTED TO -
CUSTOMER DRAWING		SCALE 4:1 SHEET 1 OF 1 REV B1