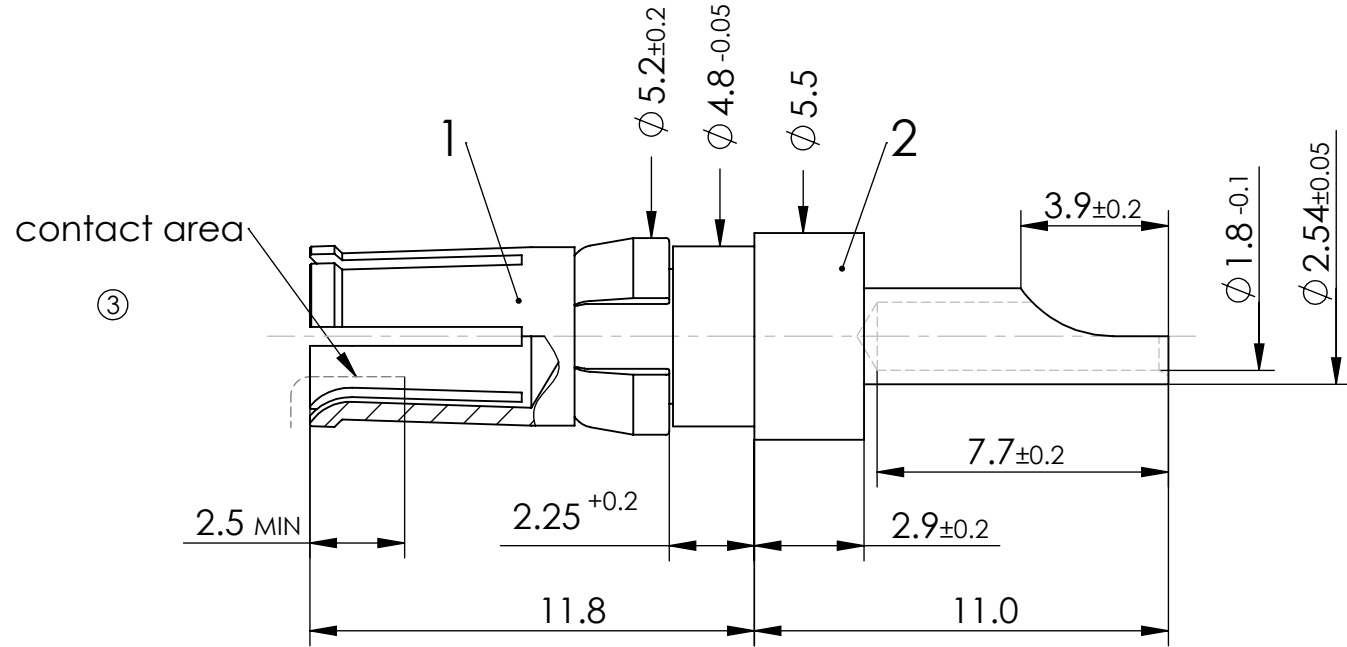
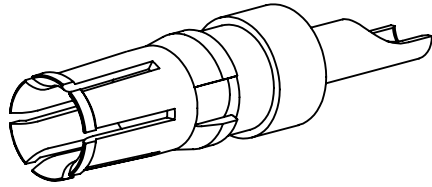


COMMENT:
 ALL RIGHTS ARE RESERVED BY US FOR THIS DRAWING. WITHOUT OUR PRIOR CONSENT,
 IT MAY NEITHER BE DUPLICATED NOR MADE AVAILABLE TO A THIRD PARTY,
 AND IT ALSO MAY NOT BE IMPROPERLY USED BY THE RECEIVER, OR A THIRD PARTY.



| | | | | | | | | | | | |
|--|--|------------|--|--------------------|--|------------------------------------|--|------------------|--|-----------|--|
| CURRENT | | 10 A | | HIGH POWER CONTACT | | SCALE 5:1 | | DATA SHEET | | ② | |
| FOR | | D-Sub | | DRAWN | | NAME / DATE | | | | | |
| DIMENSIONS IN MM | | | | DBocan | | 02-04-2003 | | | | | |
| MATERIAL + FINISH SEE EXTRA SHEET | | | | CHECKED | | MTeubel | | | | | |
| UNLESS OTHERWISE SPECIFIED DIMENSIONS FOR REFERENCE ONLY | | | | | | | | | | | |
| 3 | | 01-08-2006 | | 11399 | | FCT | | PART NO. | | REV. | |
| REV. | | DATE | | INDEX | | a molex company | | FMP005S | | 3 | |
| | | | | | | ORIGINAL: DIN A4-DRAWING AS A FILE | | REPLACEMENT FOR: | | PAGE: 1/1 | |