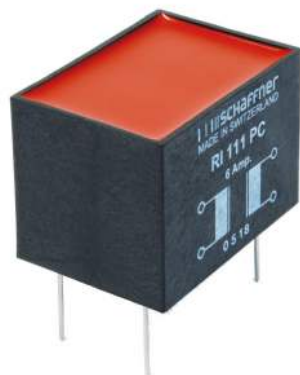


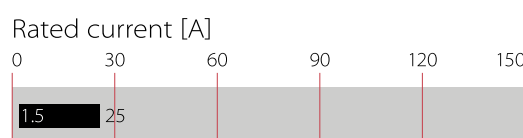
Saturating Chokes



- Rated currents from 1.5 to 25 A
- Up to 500 VAC operating voltage
- DC to 1 kHz frequency
- Single or dual-choke configurations



Performance indicators



Technical Specifications

Maximum continuous operating voltage	500 VAC @ 40°C
Rated currents	1.5 to 25 A
High potential test voltage and/or winding-to-inserts	2500 V, 50 Hz, 2 sec, factory test
Surge current @ 10 msec	20 x I _N @ 25°C
Temperature range (operation and storage)	-25°C to +110°C (25/110/21)
Flammability corresponding to	UL 94 V-0

Approvals & Compliances

RoHS

RI saturating type chokes change impedance at the moment of switching, and can be used to attenuate differential-mode noise or symmetrical interference as generated in fast switching high current applications. These chokes are typically used in conjunction with suppression capacitors. For optimum attenuation chokes must be connected as close as possible to the semiconductor switching device.

Features and Benefits

- Excellent thermal behavior
- Through hole or wire connections
- Single or dual-choke configurations
- Up to 25 A single configuration
- Custom-specific versions are available on request



Typical Applications

- Suppressing high interference levels generated by fast switching circuits
- DC voltage smoothing
- EMC/EMI filters
- Phase angle control circuits
- Power supplies
- Chargers

Typical electrical schematic



Choke Selection Table

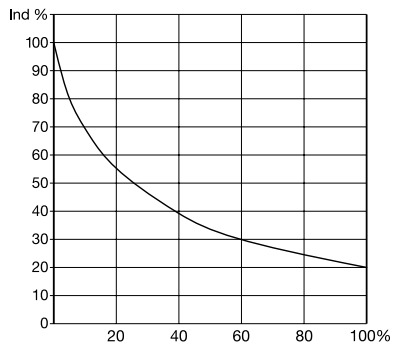
Choke	Nominal current @ 40°C [A]	Resistance R [mΩ/path]	Choke configuration [Qty]	Input/Output connections		Weight [g]
						
RI 111 PC	6	42	2	02		170
RI 401 PC	1.5	620	1	02		15
RI 403 PC	3	105	1	02		30
RI 406 PC	6	53	1	02		55
RI 410 PC	10	28	1	02		95
RI 415	15	8	1		07	205
RI 425	25	4	1		07	325

Test conditions:
Resistance tolerance: ±15% @ 25°C
Electrical characteristics @ 25°C: ±2°C

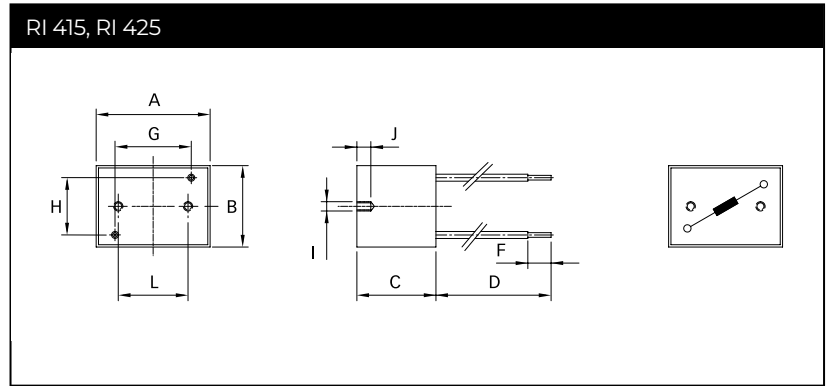
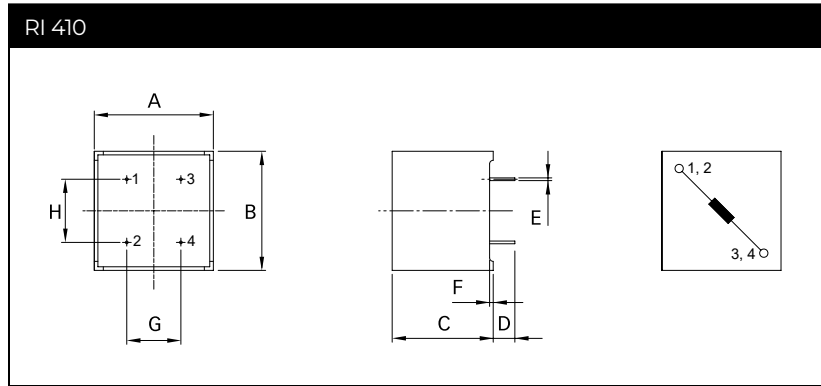
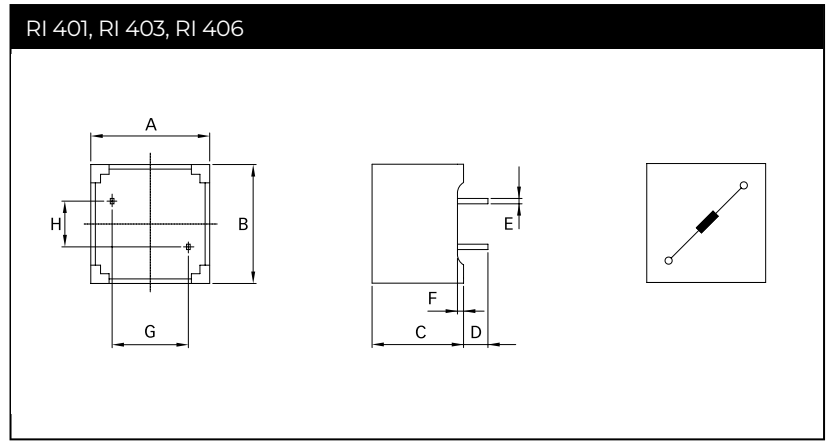
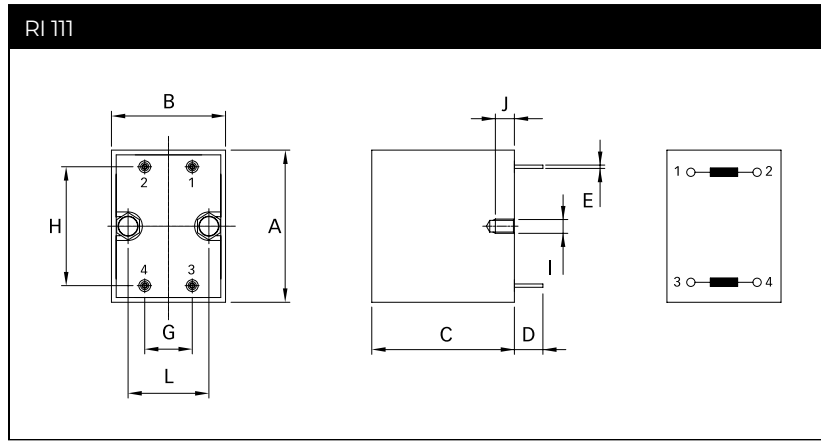
Typical Saturation Characteristics

Inductance (typical value in %) vs. nominal current in %

RI series



Mechanical Data



Dimensions

	RI 111	RI 401	RI 403	RI 406	RI 410	RI 415	RI 425	Tolerances
A	49	19.5	23.3	28.5	33	35	48	
B	35	19.5	23.3	28.5	33	49	48	
C	34	15	18	21.5	28	34	43	±0.3
D	15	4 ±0.5	6 ±0.5	4.5 ±0.5	6 ±0.5	200	200	±0.1
E	∅1.15	0.6 x 0.88	∅0.9	0.6 x 0.88	0.75 x 1.1			
F		1			1	10 ±2	10 ±2	
G	20	12.5	15	20	17.5	22	39	
H	40	7.5	10	10	15	36	35	
I	M4					M4	M4	
J	6					6	6	+0/-0.5
L	21					30	30	±0.25

All dimensions in mm; 1 inch = 25.4 mm

Tolerances according: ISO 2768-m/EN 22768-m

Please visit www.schaffner.com to find more details on filter connections.

Headquarters, Global Innovation and Development

Switzerland

Schaffner Group

Industrie Nord
Nordstrasse 11e
4542
Luterbach
+41 32 681 66 26
info@schaffner.com

Sales and Application Centers

Finland

Schaffner Oy

Sauvonrinne 19 H
8500
Lohja
+358 50 468 7284
finlandsales@schaffner.com

France

Schaffner EMC S.A.S.

16-20 Rue Louis Rameau
95875
Bezons
+33 1 34 34 30 60
francesales@schaffner.com

Germany

Schaffner Deutschland GmbH

Schoemperlenstrasse 12B
76185
Karlsruhe
+49 721 56910
germanysales@schaffner.com

India

Schaffner India Pvt. Ltd

Regus World Trade Centre
WTC 22nd Floor Unit No 2238 Brigade
Gateway Campus 26/1 Dr. Rajkumar Road
Malleshwaram (W)
560055
Bangalore
+91 8067935355
indiasales@schaffner.com

United Kingdom

Schaffner Ltd.

Suite 1 Oakmede Place
Terrace Road
RG42 4JF
Binfield
+44 118 9770070
uksales@schaffner.com

United States

Schaffner EMC Inc.

52 Mayfield Avenue
Edison, New Jersey
+1 732 225 9533
usasales@schaffner.com

Sweden

Schaffner EMC AB

Östermalmstrorg 1
114 42
Stockholm
+46 8 5050 2425
swedensales@schaffner.com

Switzerland

Schaffner EMV AG

Industrie Nord
Nordstrasse 11e
4542
Luterbach
+41 32 681 66 26
switzerlandsales@schaffner.com

Taiwan

Schaffner EMV Ltd.

U-Town
20 Floor-2 No 97 Section 1 XinTai 5th Road
XiZhi District
22175
New Taipei City
+886 226975500
taiwansales@schaffner.com

Italy

Schaffner EMC S.r.l.

Via Ticino, 30
20900
Monza (MB)
+39 039 21 41 070
italysales@schaffner.com

Japan

Schaffner EMC K.K.

ISM Sangenjaya
7F 1-32-12 Kamiyuma Setagaya-ku
154-0011
Tokyo
+81 3 5712 3650
japansales@schaffner.com

Singapore

Schaffner EMC Pte Ltd.

Blk 3015A Ubi Road 1 #05-09 Kampong Ubi
Industrial Estate
408705
Singapore
+65 63773283
singaporesales@schaffner.com

To find your local partner within
Schaffner's global network schaffner.com

© 2023 Schaffner Group

The content of this document has been carefully checked and understood. However, neither Schaffner nor its subsidiaries assume any liability whatsoever for any errors or inaccuracies of this document and the consequences thereof. Published specifications are subject to change without notice. Product suitability for any area of application must ultimately be determined by the customer. In all cases, products must never be operated outside their published specifications. Schaffner does not guarantee the availability of all published products. This disclaimer shall be governed by substantive Swiss law and resulting disputes shall be settled by the courts at the place of business of Schaffner Holding AG. Latest publications and a complete disclaimer can be downloaded from the Schaffner website. All trademarks recognized.

collect/?pid=4910754&fmt=gif<https://urldefense.proofpoint.com/v2/
url?u=https-3A__px.ads.linkedin.com_collect_-3Fpid-3D4910754-26fmt-3Dgif&d=DwQFaQ&c=hHgvmXSqF9D1wm_msCAIOJGTLksQj43Qio8H7
SRI92i0ORDBWQANNX805vfLTzn4&m=nTTCBw76qODvmWauOZ_BHKteHoY-
BdurDwX2lf9b1VnVroK4Czhikm9KUUnRw4xU&s=bEVHrTw7AJwwBqhvnkS5sYhQDSDhkDvtctFhJwRyeVs&e=>" />