

DRAWING MADE IN THIRD ANGLE PROJECTION

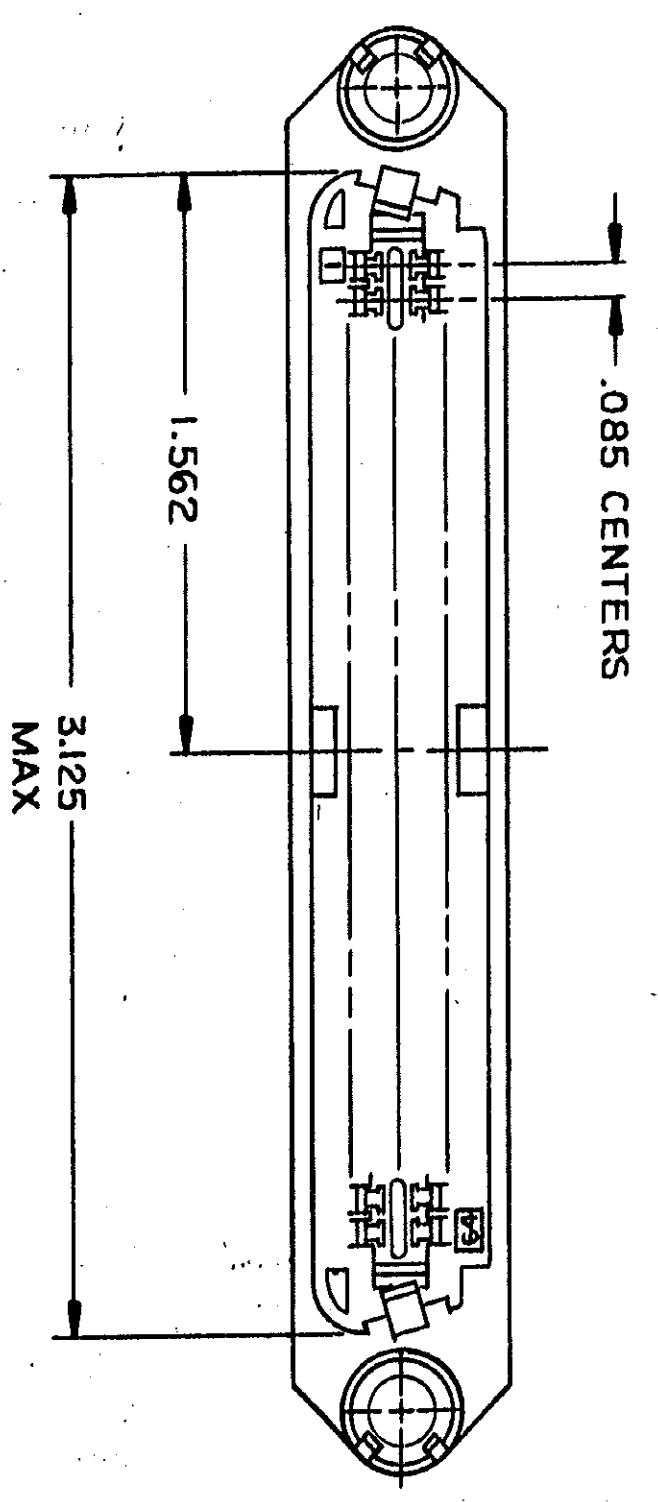
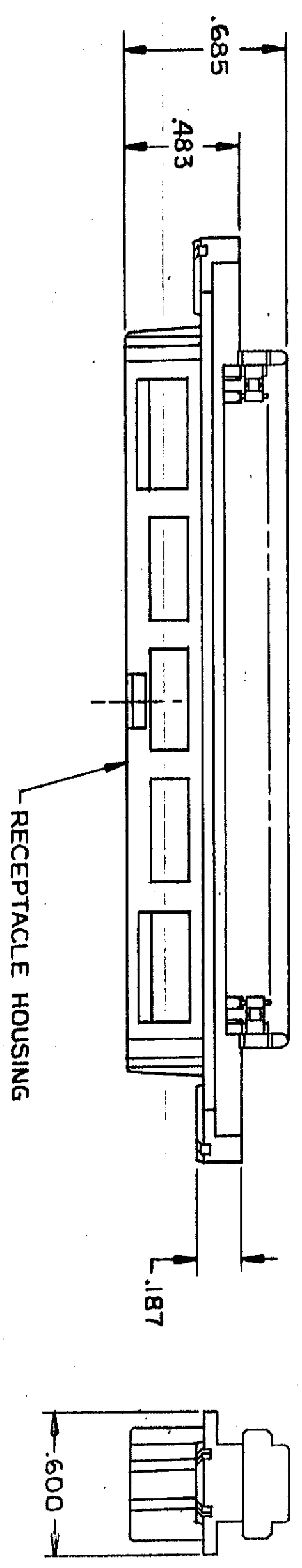
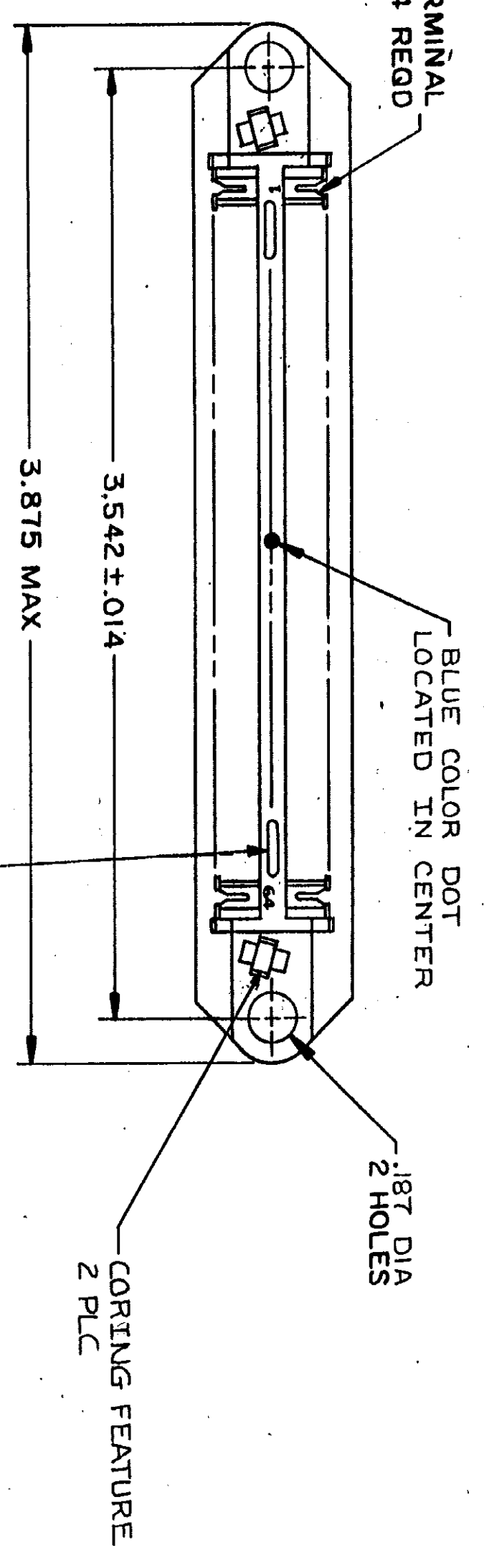
© COPYRIGHT 1974 BY AMP INCORPORATED, HARRISBURG, PA. ALL INTERNATIONAL RIGHTS RESERVED. AMP INCORPORATED PRODUCTS COVERED BY U. S. AND FOREIGN PATENTS AND/OR PATENTS PENDING.

3

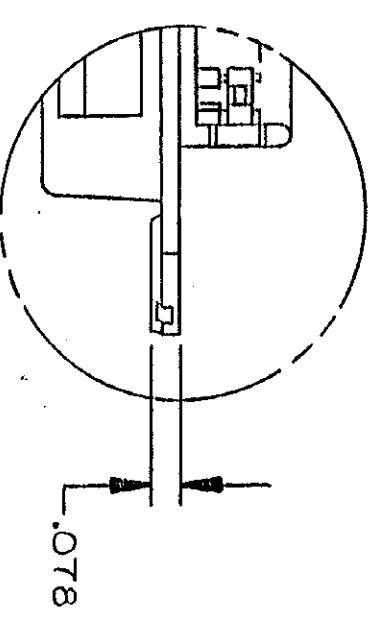
2

1

REVOLUTIONS		DATE	APPROVED
P	F	01-88	PC
ZONE	LTR	DESCRIPTION	
H	H	DRS-1; PER ECN AA-4550	



1. THE CONTACT SURFACES OF THE TERMINALS ARE COATED WITH LUBRICANT.
2. ALL DIMENSIONS SHOWN ARE FOR REFERENCE ONLY UNLESS OTHERWISE SPECIFIED. (BLACK) MATERIAL: HOUSING - THERMOPLASTIC (BLACK) TERMINALS - GOLD OVER NICKEL PLATED HIGH STRENGTH COPPER ALLOY
3. CORING MAY OR MAY NOT APPEAR AND IS AT THE DISCRETION OF AMP INCORPORATED.
4. WIRE SIZE: 24#26 AWG SOLID 24 AWG 7 STRANDS OF COPPER CONDUCTORS. MAX INSULATION DIAMETER OF .045 IS ACCEPTABLE FOR MOST APPLICATIONS.



SAME AS THICK FLANGE EXCEPT AS SHOWN & MINUS CORING FEATURE

OBSOLETE	THIN FLANGE	2-552277-1
	THICK FLANGE	552277-1
	DESCRIPTION	PART NO

NAME  
ASSY, RCPT, 64 POSN, B SLOT (CHAMP-LOK, W/.187 DIA HOLES)

UNLESS OTHERWISE SPECIFIED DIMENSIONS ARE IN INCHES. TOLERANCES ON: DECIMALS ± # ANGLES ± #

CONTRACT NO	2-11-80
DR	<i>R. Roman</i>
CHK	<i>J. S. Sisk</i> 2/12/80
APPD	<i>B. E. Ward</i> 2/12/80
APPD	<i>D. Brown</i> 2/22/80
DSGN APPD	
OTHER APPD	

FINISH	3
SIZE (CODE IDENT NO) DRAWING NO	C 00779 552277
SCALE	2/1
SHEET	1 OF 1

CUSTOMER DRAWING

AMP 1471-6 (7-73)

552277