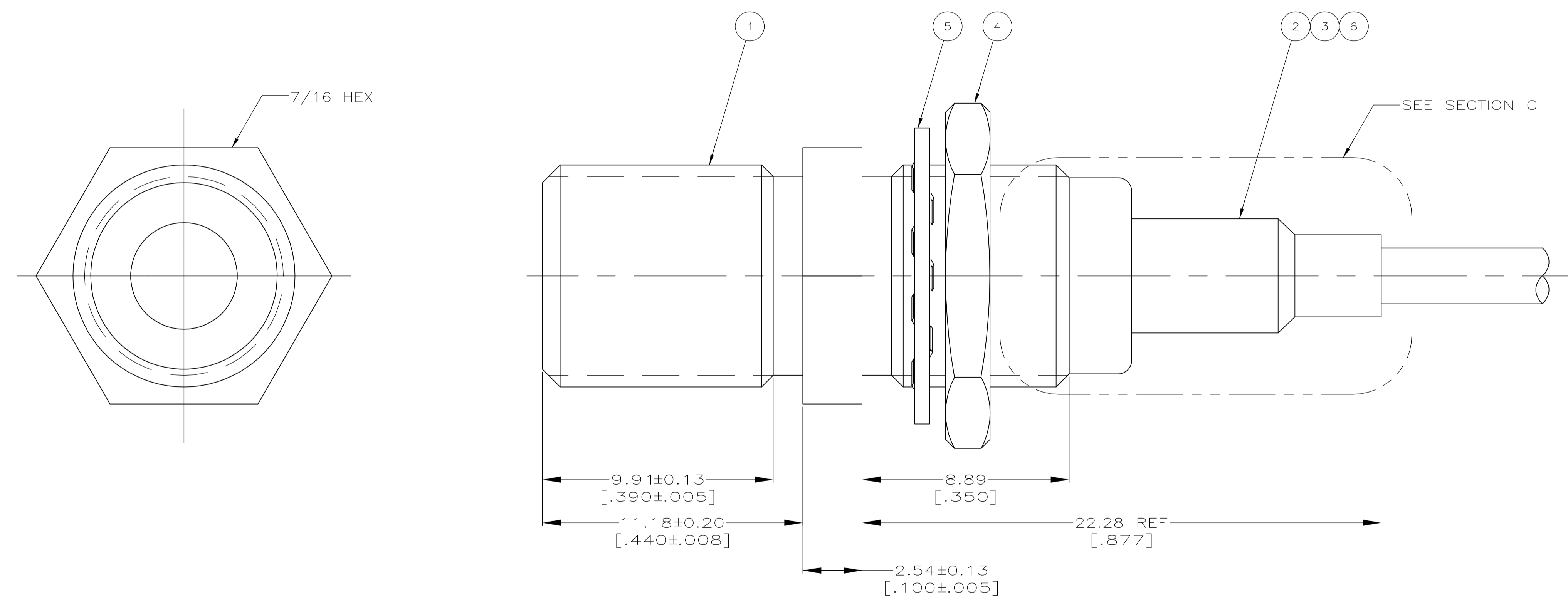


RECOMMENDED STRIP LENGTHS



- 1. PARTS PACKAGED UNASSEMBLED
- ② USE WITH HAND TOOL 354940-1
- ③ RG-179/U CABLE

VIEW A	③	318450-2	⑥	227194-1	⑤	1-329492-1	④	1-330249-1	③	9-328666-0	②	9-887011-0	①	887004-1	5415569-2
STRIP LENGTHS	FOR USE WITH CABLE	DIE SET	TUBING QTY=1	LOCKWASHER QTY=1	JAM NUT QTY=1	FERRULE QTY=1	CONTACT QTY=1	JACK ASSY QTY=1	PART NUMBER						

THIS DRAWING IS A CONTROLLED DOCUMENT

DIMENSIONS: mm [INCHES]	TOLERANCES UNLESS OTHERWISE SPECIFIED:	DWN L. VARELA - DOCKS 31JAN2005	CHK J. HAVENER 31JAN2005	APVD K. WEIDNER 31JAN2005	NAME
0 PLC ± -	1 PLC ± -	2 PLC ± ± 0.25 [.010]	3 PLC ± -	4 PLC ± -	ANGLES ± -
MATERIAL -	FINISH -	SIZE	CAGE CODE	DRAWING NO	RESTRICTED TO
CUSTOMER DRAWING		SCALE 8:1	SHEET 1 of 1	REV 01	

Tyco Electronics Corporation
Harrisburg, Pa 17105-3608

JACK, BULKHEAD, FRONT MT., SPLASH RESISTANT, F SERIES

A1 00779 C=5415569