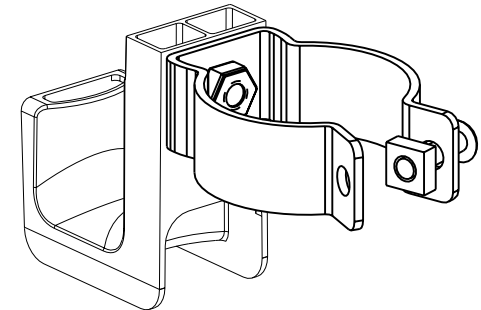
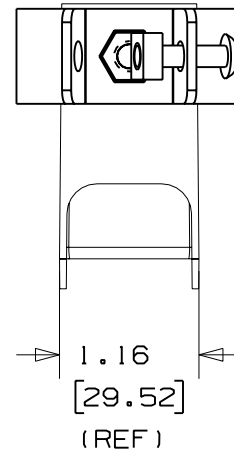
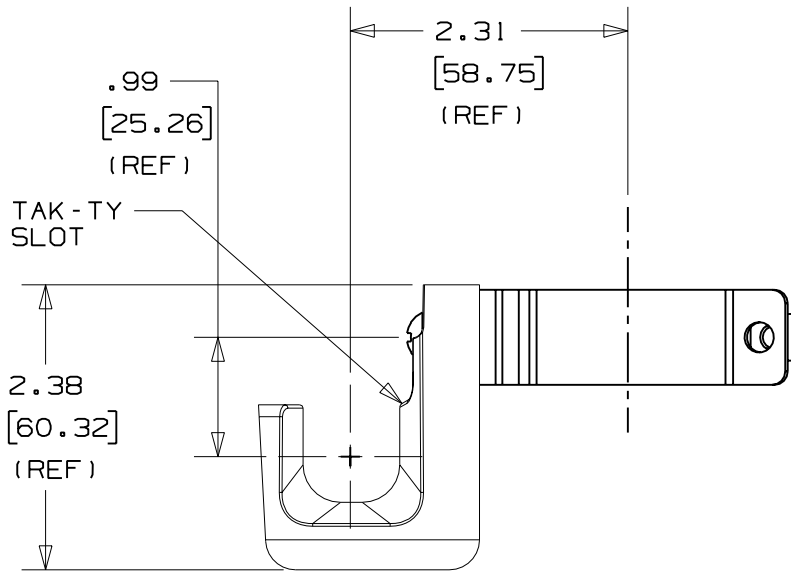


THIS COPY IS PROVIDED ON A RESTRICTED BASIS AND IS NOT TO BE USED IN ANY WAY DETRIMENTAL TO THE INTERESTS OF PANDUIT CORP.

PANDUIT PART NO.	FLOOR PEDESTAL (DIA)	WEIGHT lbs 10 (g) pcs
JP75UF100-___	1.00 (25.4)	1.36 (616.9)



NOTES:

- SEE CURRENT PRICE SHEET FOR PART NUMBER SUFFIX DESIGNATION FOR PACKAGE SIZE AND PRODUCT COLOR.
- HOOK MATERIAL: NYLON 6/6
BOLT MATERIAL: ZINC PLATED STEEL
LOCK NUT MATERIAL: ZINC PLATED STEEL
CLAMP MATERIAL: PLATED STEEL
- PRODUCT IS DESIGNED TO SUPPORT A MAXIMUM OF 3/4" (19.05) DIAMETER BUNDLE. MAXIMUM RECOMMENDED STATIC LOAD: 15 lbs.
- PRODUCT INCORPORATES FEATURES ALLOWING USER TO RETAIN CABLE BUNDLES IN J-PRO J-HOOK WITH TAK-TY CABLE TIES UP TO 3/4" WIDE.
- PRODUCT MARKINGS:
cULus logo and statement:
"SUITABLE FOR USE IN AIR HANDLING SPACES IN ACCORDANCE WITH SECTION 300-22 (C) & (D) OF THE NATIONAL ELECTRIC CODE."
ULC logo and statement:
"IN ACCORDANCE WITH CAN/ULC S-102.2 IN SINGLE UNITS OR PAIRS, 4 ft (1220mm) MIN. SPACING, FSR=0, SDC=20."

DIMENSIONS IN BRACKETS ARE METRIC [mm]

CAD FILENAME/LAYERS G03043BL_PB_JP75UF100_00

PANDUIT CORP. TINLEY PARK, ILLINOIS

J-PRO J-HOOK WITH
UNDER FLOOR PEDESTAL
SUPPORT CLAMP (JP75UF100-___)

UNLESS OTHERWISE SPECIFIED,
DIMENSIONAL TOLERANCES ARE:
(.X) ±0.05 (1.31) (.XXX) ±0.010 (0.25)
(.XX) ±0.02 (0.5) ANGLES ± 5°

UNLESS OTHERWISE SPECIFIED,
ALL DIMENSIONS ARE GIVEN
IN INCHES, THIRD ANGLE PROJECTION.

DRAWN BY JAD	MAT'L:	SCALE NONE
DATE 1/5/06	SEE NOTE 2	DRAWING NO. GB3043BL
CHK'D		DWG SIZE A

REV	DATE	BY	CHK	DESCRIPTION	ECN	R	CUST	SUP
R	1/5/06	JAD		INITIAL RELEASE	GB3043BL	R		