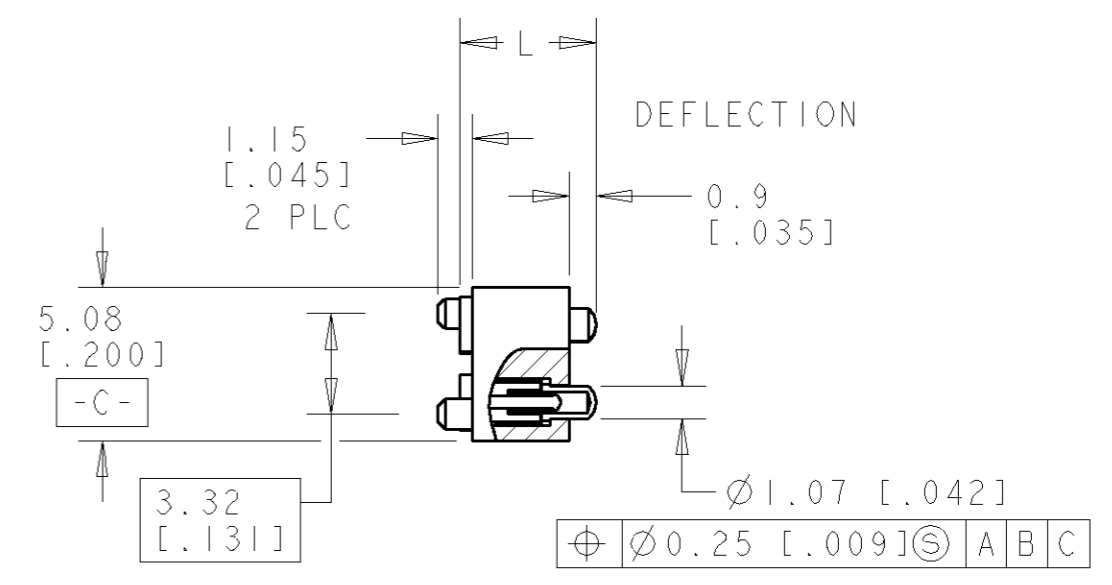
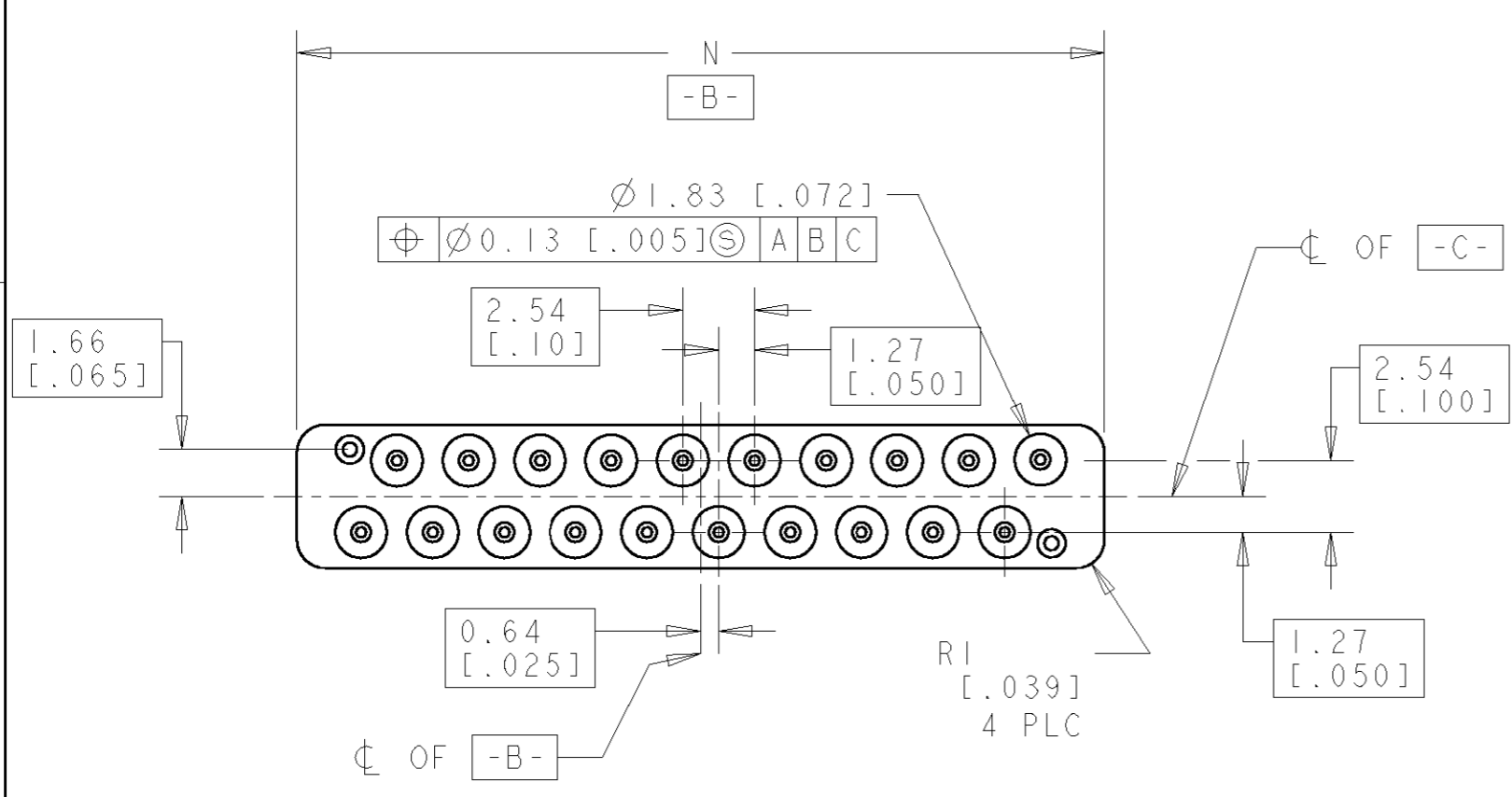
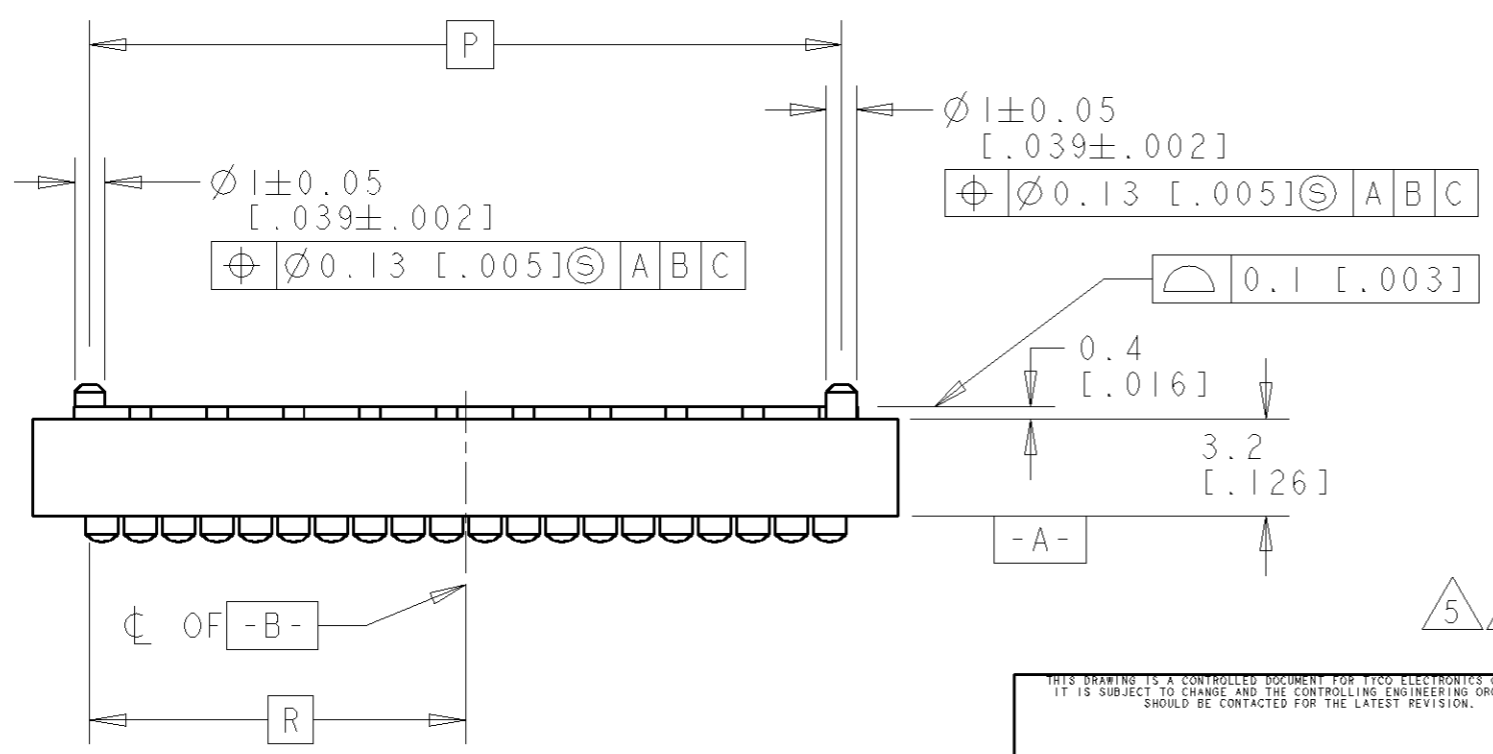


THIS DRAWING IS UNPUBLISHED. RELEASED FOR PUBLICATION
 © COPYRIGHT 19 BY TYCO ELECTRONICS CORPORATION. ALL RIGHTS RESERVED.

LOC	DIST	REVISIONS					
		P	LTR	DESCRIPTION	DATE	DWN	APVD
AD	00		0	RELEASED PER PG3C-0120-01	26MAR2001	RB	KW
			A	REV PER EC 0G3C-133-02	17OCT2002	MB	KW
			B	REV PER 0G3C-0768-04	30NOV04	RB	KW



DEFLECTION STATE	L ± 0.1	NORMAL FORCE
MINIMUM	4.3	0.44 ± 0.15N
NOMINAL	4.02	0.64 ± 0.15N
MAXIMUM	3.70	0.88 ± 0.15N



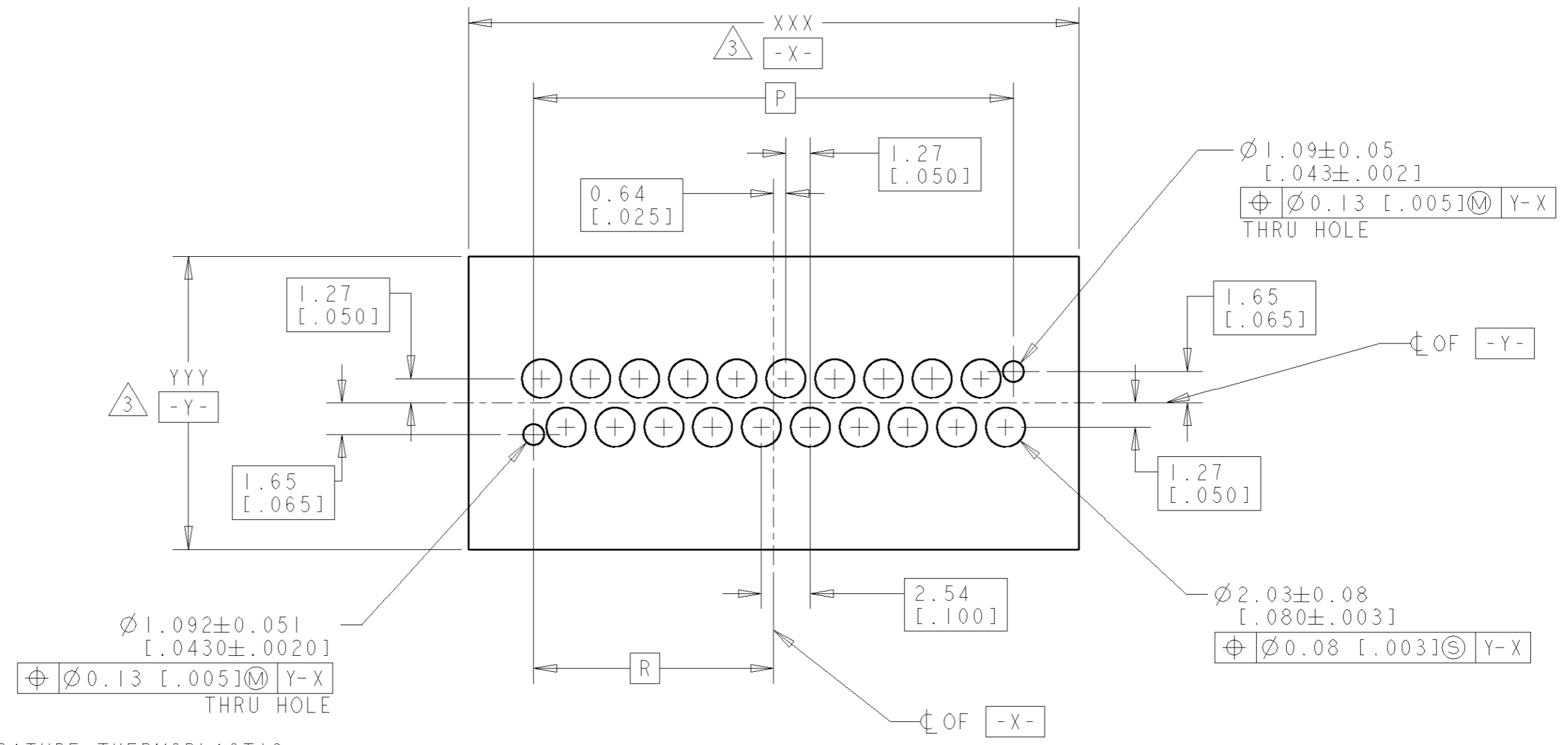
PART NUMBER	POSN	N	P	R
1375737-1	12	18.51	14.76	7.38
1375737-2	16	23.59	19.84	9.92
1375737-3	20	28.67	24.92	12.46
1375737-4	24	33.75	30.00	15.00
3-1375737-1	12	18.51	14.76	7.38

THIS DRAWING IS A CONTROLLED DOCUMENT FOR TYCO ELECTRONICS CORPORATION. IT IS SUBJECT TO CHANGE AND THE CONTROLLING ENGINEERING ORGANIZATION SHOULD BE CONTACTED FOR THE LATEST REVISION.

DIMENSIONS: mm [INCHES]	TOLERANCES UNLESS OTHERWISE SPECIFIED: 0 PLC ±0.13 1 PLC ±0.13 2 PLC ±0.13 3 PLC ±0.13 4 PLC ±0.13 ANGLES ±	DWN L. CASTAGNA 08FEB00 CHK G. GRIFFITH 19JUN00 APVD G. GRIFFITH 19JUN00	AMP Incorporated Harrisburg, PA 17105-3608
MATERIAL -	FINISH -	PRODUCT SPEC - APPLICATION SPEC - WEIGHT -	
MATERIAL - FINISH -		CUSTOMER DRAWING	SIZE A3 CAGE CODE 00779 DRAWING NO C-1375737 RESTRICTED TO - SCALE 1:1 SHEET 1 OF 2 REV B

THIS DRAWING IS UNPUBLISHED. RELEASED FOR PUBLICATION
 © COPYRIGHT 19 BY TYCO ELECTRONICS CORPORATION. ALL RIGHTS RESERVED.

LOC	DIST	REVISIONS			
P	LTR	DESCRIPTION	DATE	DWN	APVD
AD	00	-	SEE SHEET 1	-	-



1 MATERIAL:
 HOUSING - HIGH TEMPERATURE THERMOPLASTIC,
 30% GLASS FILLED,
 FLAME RETARDED UL 94 V-0,
 COLOR: BLACK.
 CONTACTS - SCREW MACHINED BRASS.

2 FINISH:
 CONTACT PISTON AND CONTACT BODY -
 0.0005 [.000020] MIN GOLD OVER 0.0025 [.000100] NICKEL.
 SPRING - FLASH 0.0001 [.000004] GOLD.

3 DIMENSIONS ESTABLISHED BY CUSTOMER.

4 PRELIMINARY PART - NOT RELEASED FOR PRODUCTION.

5 PART PACKAGED ON TAPE/REEL.

RECOMMENDED PC BOARD LAYOUT

<small>THIS DRAWING IS A CONTROLLED DOCUMENT FOR TYCO ELECTRONICS CORPORATION IT IS SUBJECT TO CHANGE AND THE CONTROLLING ENGINEERING ORGANIZATION SHOULD BE CONTACTED FOR THE LATEST REVISION.</small>		DWN L. CASTAGNA 08FEB00 CHR G. GRIFFITH 19JUN00 APVD G. GRIFFITH 19JUN00	AMP AMP Incorporated Harrisburg, PA 17105-3608
DIMENSIONS: mm [INCHES]	TOLERANCES UNLESS OTHERWISE SPECIFIED:	PRODUCT SPEC APPLICATION SPEC	NAME LOW PROFILE PROBE CONNECTOR SPRING CONTACT, SURFACE MOUNT
	0 PLC ±0.13 1 PLC ±0.13 2 PLC ±0.13 3 PLC ±0.13 4 PLC ±0.13 ANGLES ±	WEIGHT -	SIZE A3 CAGE CODE 00779 DRAWING NO C-1375737 RESTRICTED TO -
MATERIAL -	FINISH -	CUSTOMER DRAWING	SCALE 1:1 SHEET 2 OF 2 REV B