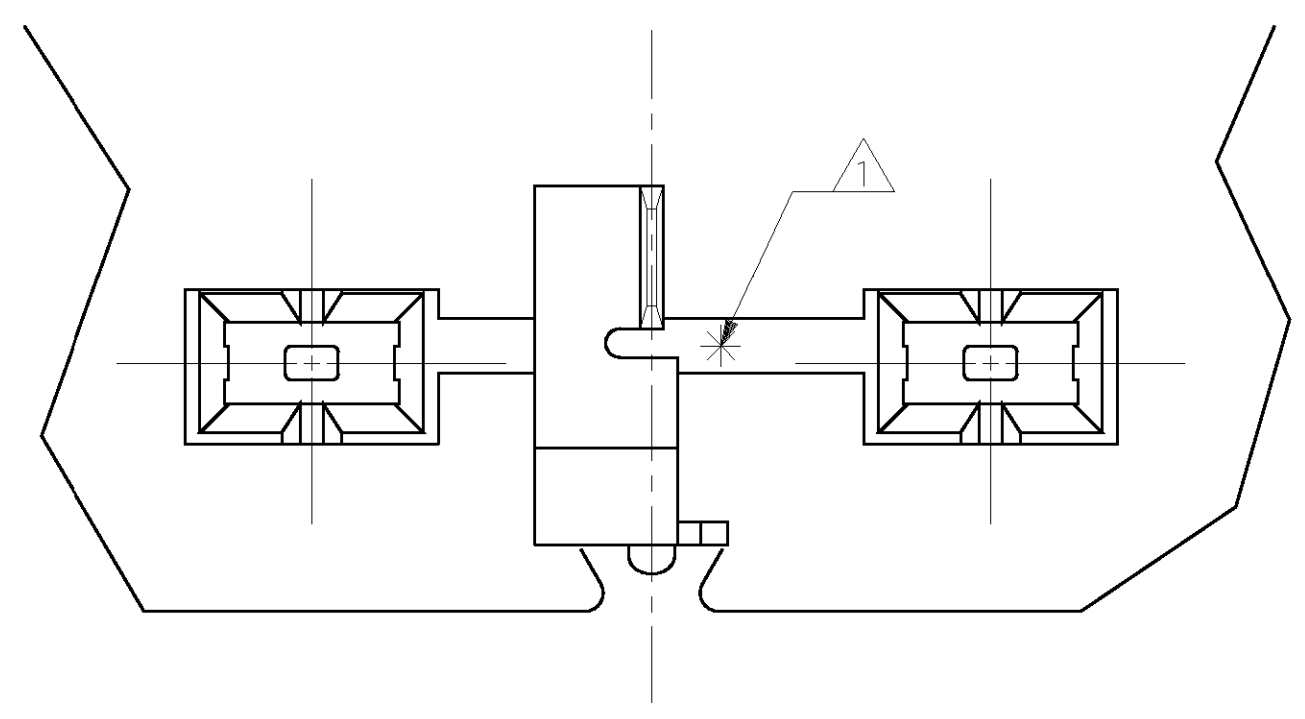
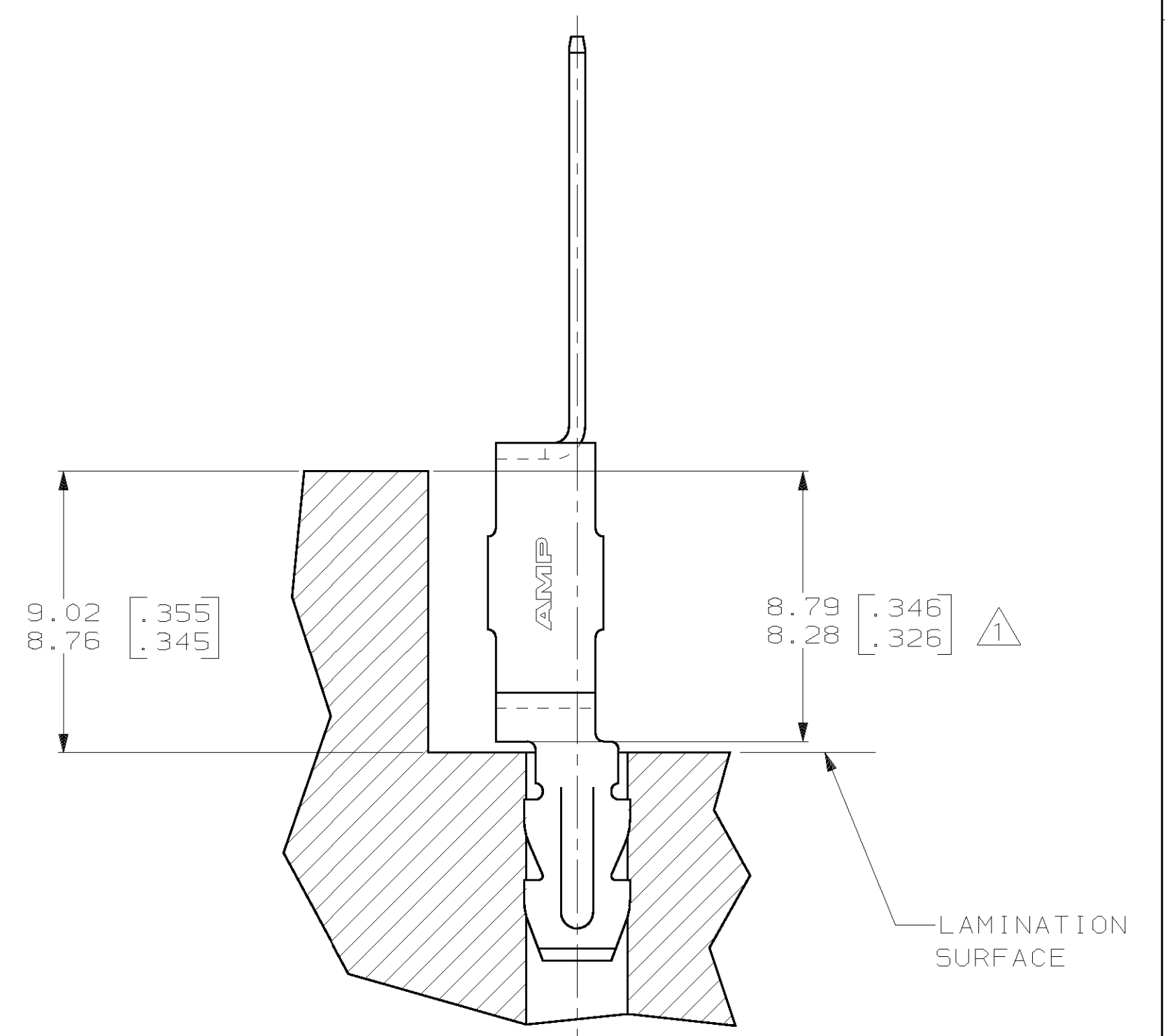
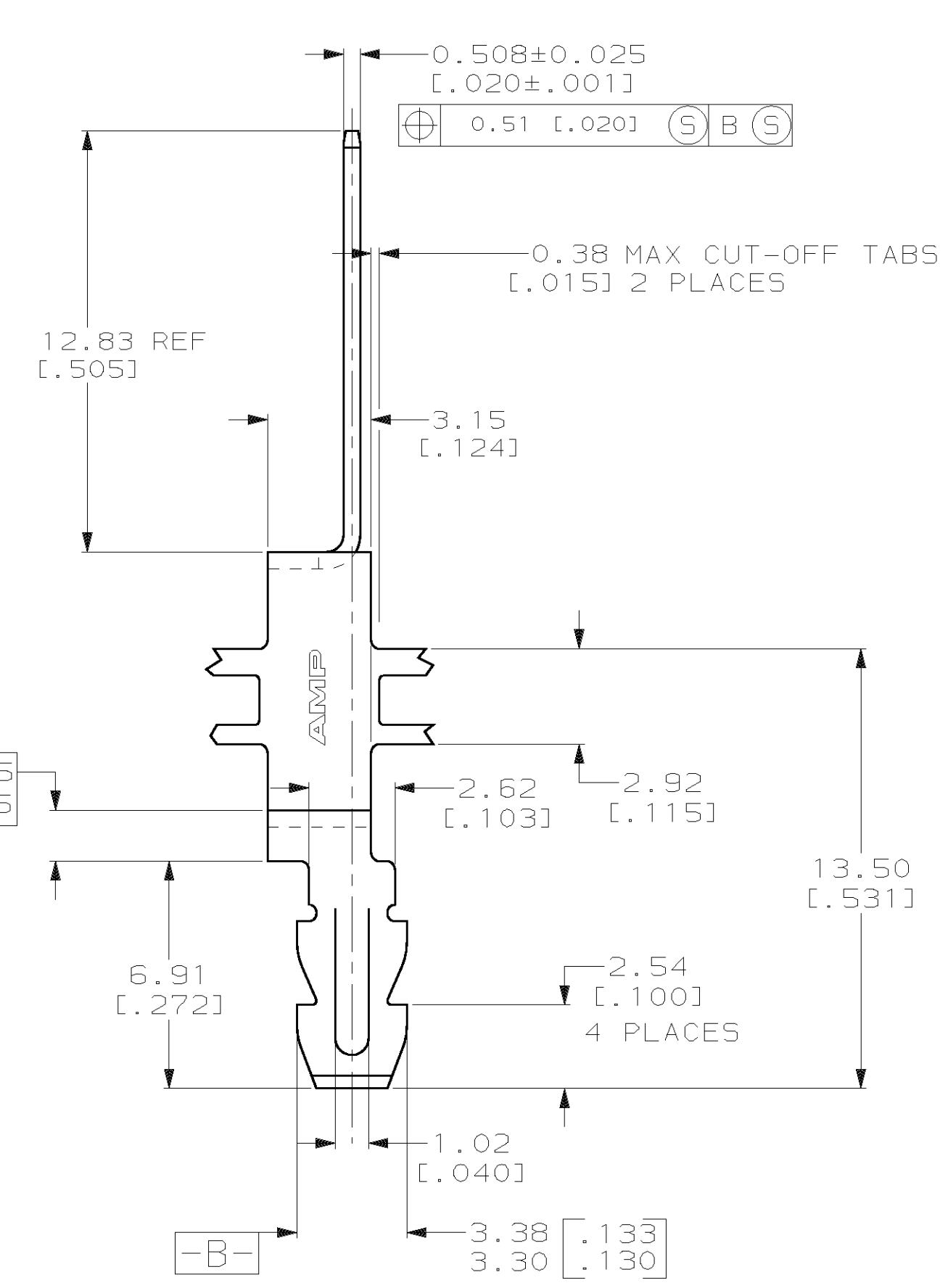
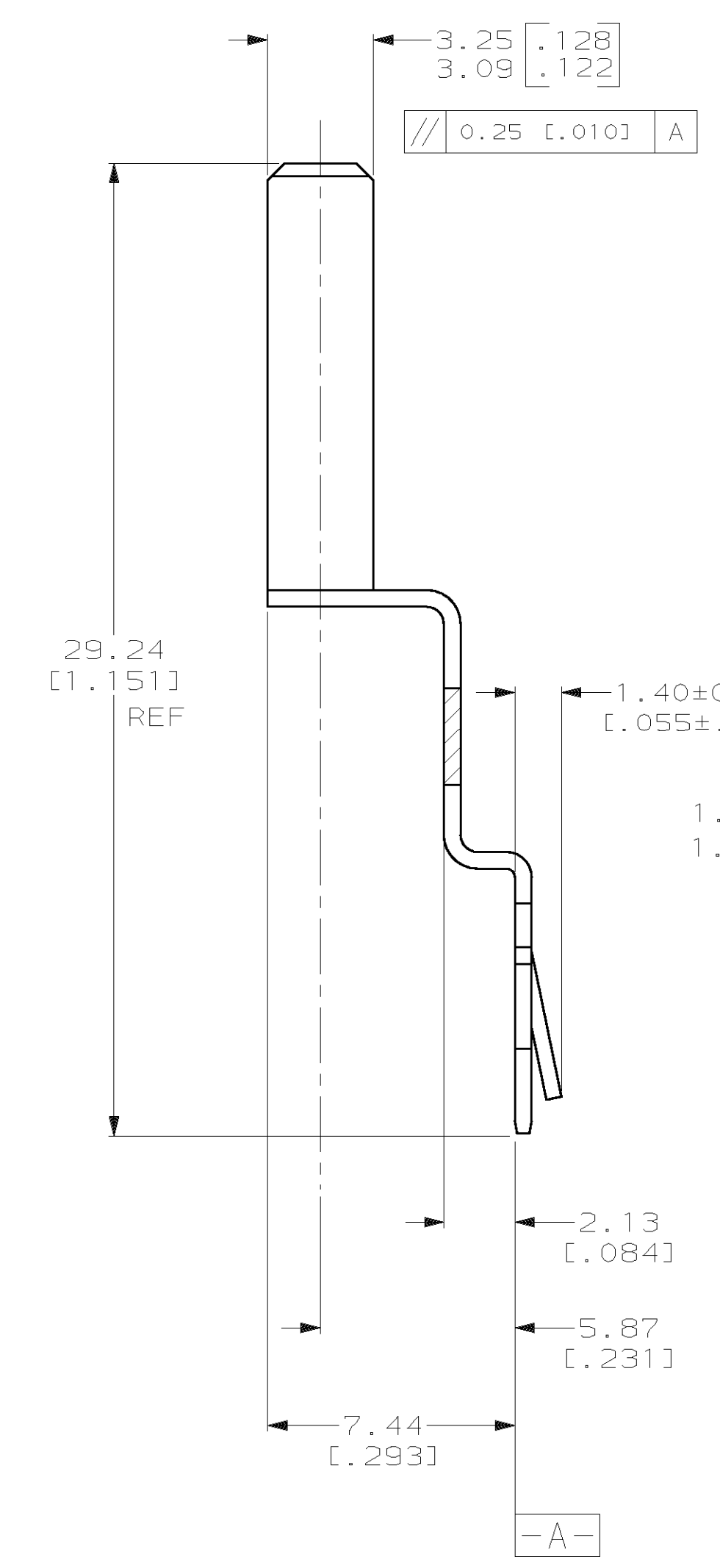
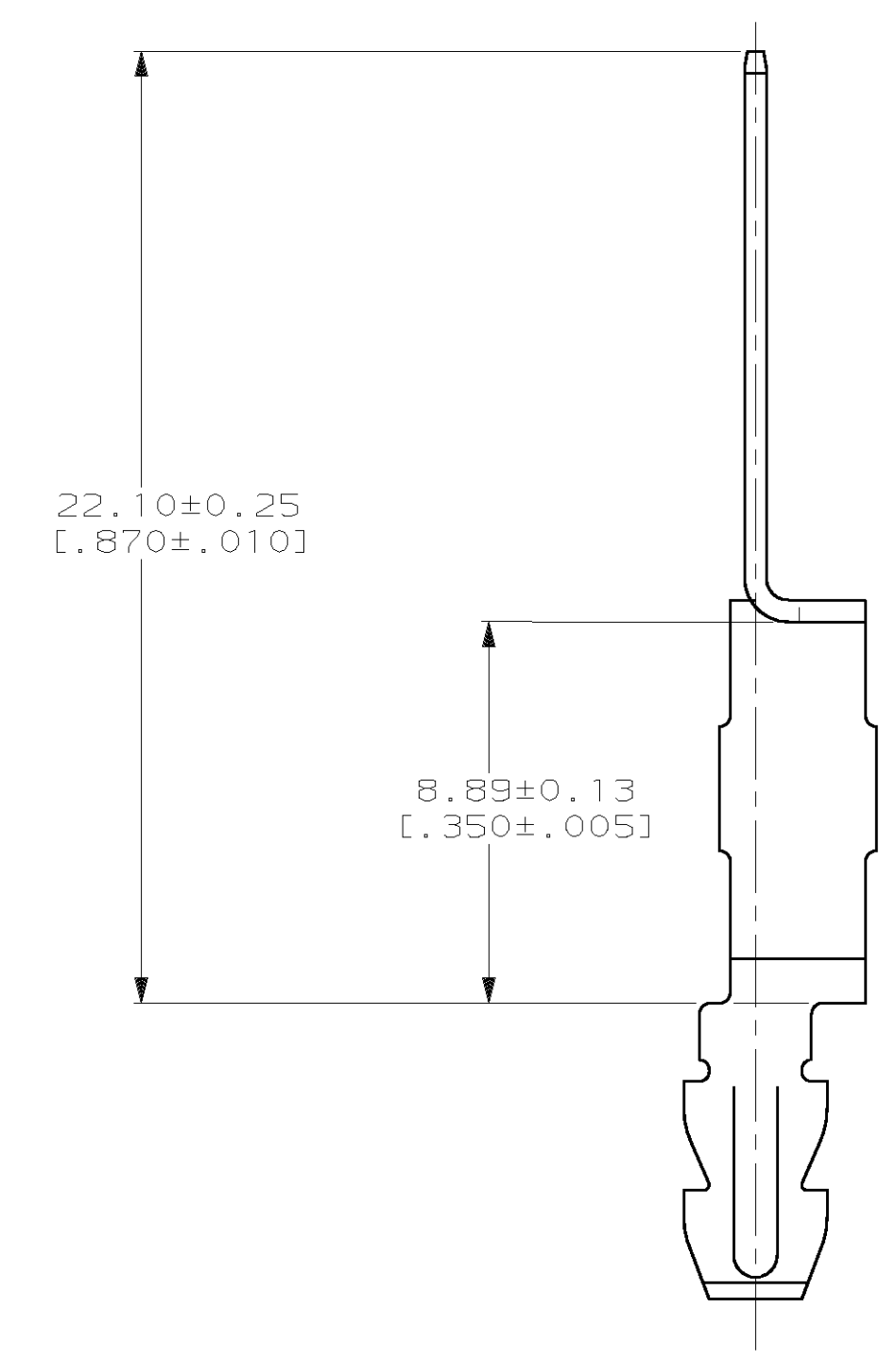
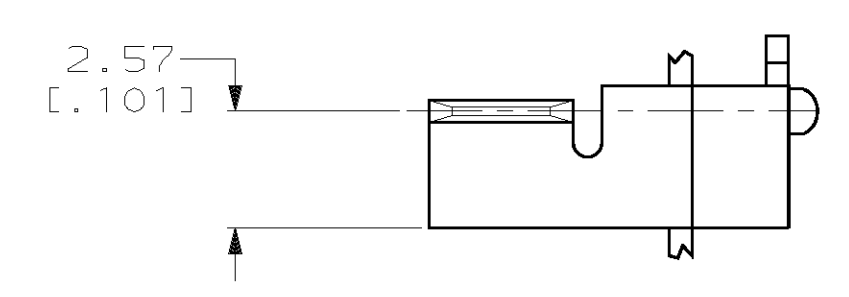


LOC		DIST		P		F		ZONE		LTR		REVISIONS	
DESCRIPTION	DATE	APPD											
C	REVISED LATCH HEIGHT 063A-0009-01	16JAN01	MF-KR										



- 1 POINT OF MEASUREMENT, LOCATED APPROXIMATELY AS SHOWN.
- 2 CONTINUOUS STRIP ON REELS WITH TERMINALS LOCATED ON 16.64±0.076 [.655±.003] CENTERS



INSERTION SPECIFICATION

63878-1
PART NO

DO NOT SCALE PRINT. UNLESS SPECIFIED DIMENSIONS IN mm [INCHES] TOLERANCES ON:		DR 26/SEP/95 R.GRZYBOWSKI		AMP Incorporated Harrisburg, PA 17105-3508	
2 PLC DEC ± 0.25 [.010]		CHK 26/SEP/95 M.S.FEHER			
3 PLC DEC ± -		APPD 26/SEP/95 NELSON E. NEFF		NAME	
ANGLES ± -		APPD 26/SEP/95 TERRY L. SHUTTER		TERMINAL, GROUNDING, 3.18 [.125] TAB, MAG-MATE™	
MATERIAL 4M BRASS		PRODUCT SPEC -		SIZE D	
FINISH 0.002032 [.000080] MIN PRE-TIN PER MIL-T-10727		APPLICATION SPEC -		CAGE CODE 00779	
THIS DRAWING IS A CONTROLLED DOCUMENT FOR AMP INCORPORATED. IT IS SUBJECT TO CHANGE AND THE CONTROLLING ENGINEERING ORGANIZATION SHOULD BE CONTACTED FOR THE LATEST REVISION.		WEIGHT -		DRAWING NO C-63878	
		SCALE 6:1		SHEET 1 OF 1	