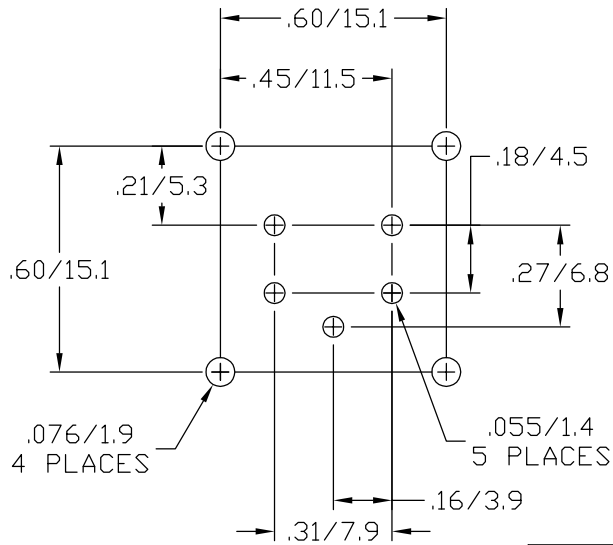
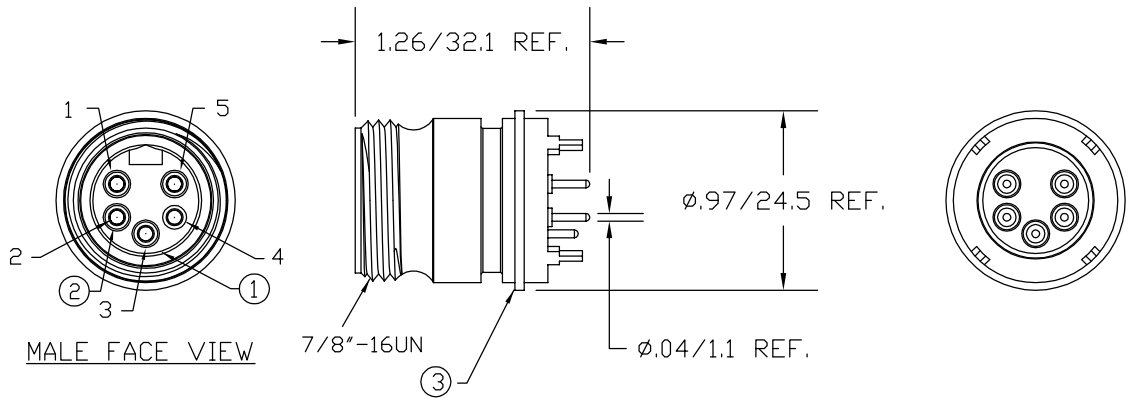


MATERIAL NUMBER	OLD PART NUMBER
130188-0033	67-0065



VOLTAGE RATING	300 VAC/VDC
AMPERAGE RATING	8 AMPS
OPERATING TEMPERATURE	-20°C TO 80°C

ITEM	COMPONENT	MATERIAL	FINISH
1	INSERT	TPE	GRAY
2	CONTACT	COPPER ALLOY	GOLD OVER NICKEL
3	RECEPTACLE SHELL	BRASS	NICKEL PLATED

RLSD DRAWING
 EC NO: WNA2010-0139 8/27/09
 DRWN: BWOODMAN
 CHKD: JM
 APPR: JFMURPHY 2009/08/31
 REV A

QUALITY SYMBOLS
 ▽=0
 ▽=0

GENERAL TOLERANCES (UNLESS SPECIFIED)

	mm	INCH
4 PLACES	±---	±---
3 PLACES	±---	±---
2 PLACES	±---	±.01
1 PLACE	±0.3	±---

 ANGULAR ±---°
DRAFT WHERE APPLICABLE MUST REMAIN WITHIN DIMENSIONS

DIMENSION STYLE IN/MM
 DRAWN BY DATE
BW 2009/08/28
 CHECKED BY DATE
LH 2009/08/28
 APPROVED BY DATE
JFMURPHY 2009/08/28
 MATERIAL NO.
SEE CHART
 SIZE **A**

SCALE ---
 DESIGN UNITS ---
 THIRD ANGLE PROJECTION
 TITLE
MINI 5P MALE RECEPTACLE PCB MOUNT
MOLEX INCORPORATED
 DOCUMENT NO. **SD-130188-001**
 SHEET NO. **1 OF 1**
 THIS DRAWING CONTAINS INFORMATION THAT IS PROPRIETARY TO MOLEX INCORPORATED AND SHOULD NOT BE USED WITHOUT WRITTEN PERMISSION