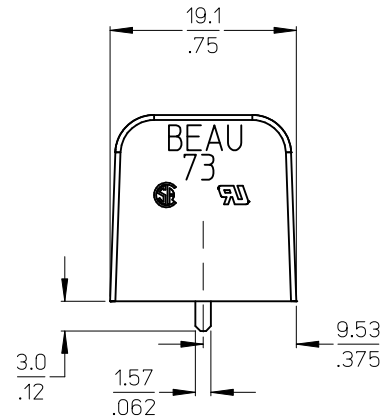
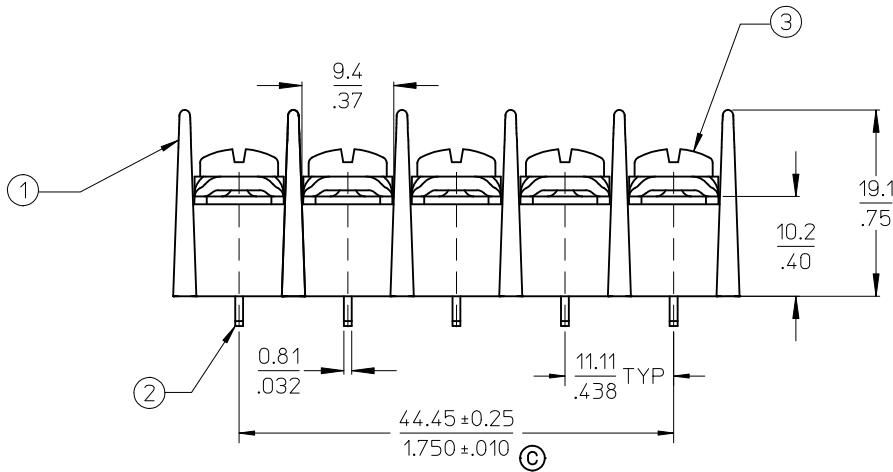


AUXILIARY VIEW  
SCALE 1:1



NOTES:

1. MATERIAL: SEE TABLE.
2. FINISHES: SEE TABLE.
3. WIRE RANGE WITH #8-32 OVERSIZE SCREW IS 10-22 AWG.
4. ROHS COMPLIANT.

3	5	SCREW #8-32X.250 PAN PHSL -50	STEEL	ZN, CLEAR CHROMATE
2	5	TERMINAL 125 PC 8-32	BRASS	TIN PLATE
1	1	SR BTS CB M0 C	POLYESTER (PBT)	BLACK
ITEM	QTY	DESCRIPTION	MATERIAL	FINISH

UPDATE TOLERANCE  
EC NO: WNA2010-0588  
DRAWN: ENCINAS 2010/03/18  
CHKD: C. YORK 2008/12/11  
APPR: JMACNEIL 2010/03/30

QUALITY SYMBOLS  
▽=0  
▽=0

GENERAL TOLERANCES (UNLESS SPECIFIED)	
PLACES	TOLERANCE
4 PLACES	± ---
3 PLACES	± ---
2 PLACES	± 0.13
1 PLACE	± 0.3
ANGULAR ± 2 °	
DRAFT WHERE APPLICABLE MUST REMAIN WITHIN DIMENSIONS	

DIMENSION STYLE  
**MM/IN**

DRAWN BY: J. ENCINAS  
DATE: 2008/12/09

CHECKED BY: C. YORK  
DATE: 2008/12/11

APPROVED BY: JMACNEIL  
DATE: 2010/03/29

MATERIAL NO.  
**387390612**

SCALE  
**2:1**

DESIGN UNITS  
**INCH**

THIRD ANGLE PROJECTION

TITLE  
**11.11MM [.438] SR BTS, NO MTG, PC 5 ASSY OVERSIZE SCREW, #8-32**

**MOLEX INCORPORATED**

DOCUMENT NO.  
**SD-38739-020**

SHEET NO.  
**1 OF 1**

THIS DRAWING CONTAINS INFORMATION THAT IS PROPRIETARY TO MOLEX INCORPORATED AND SHOULD NOT BE USED WITHOUT WRITTEN PERMISSION