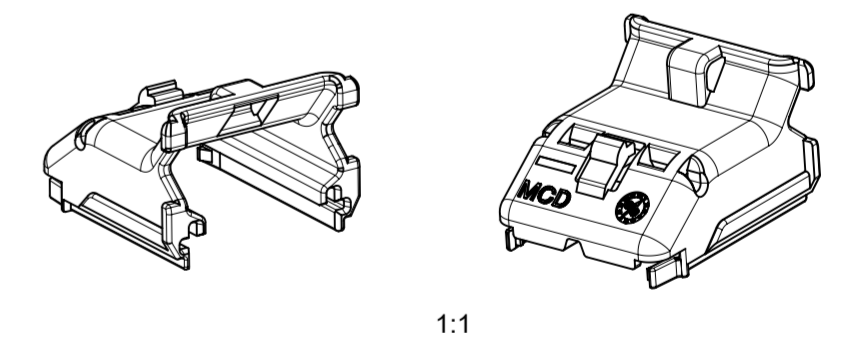
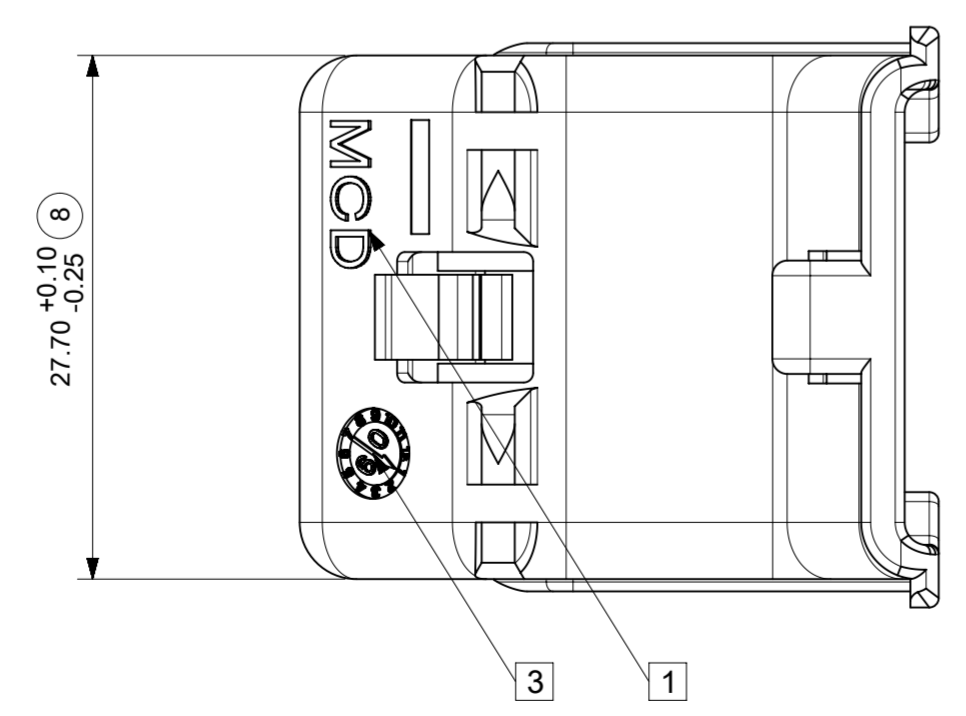
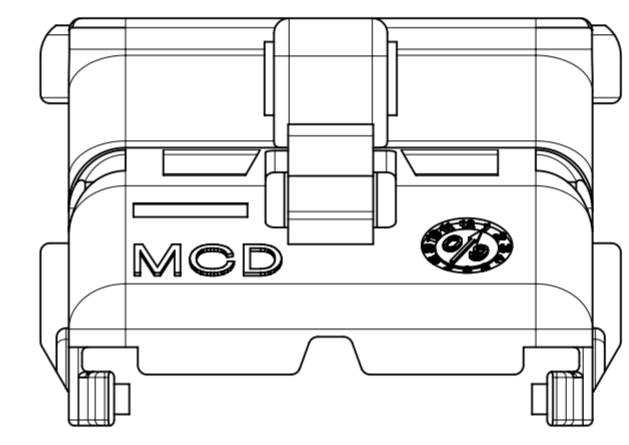
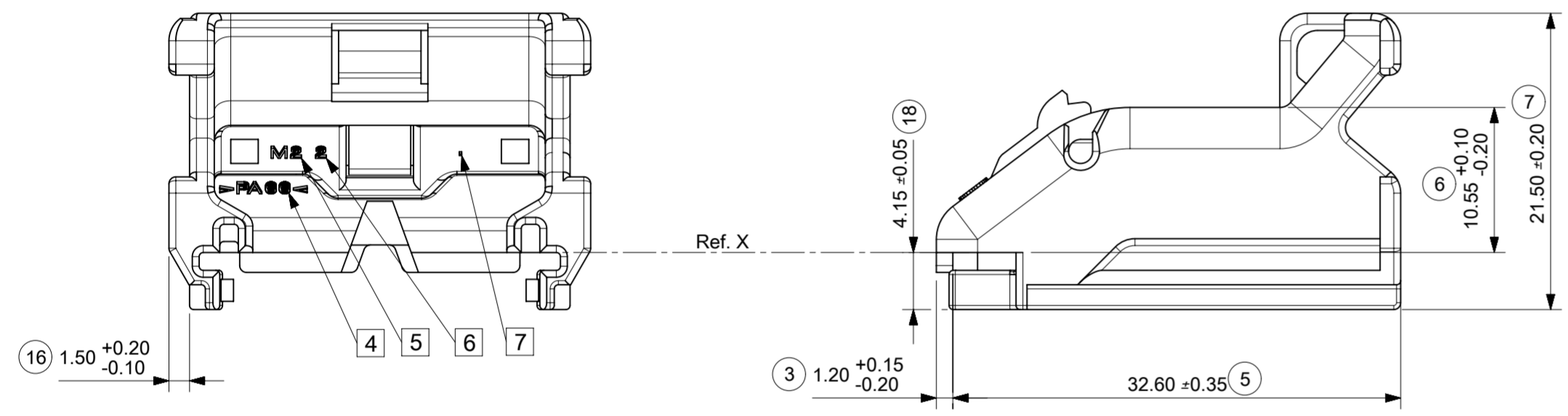
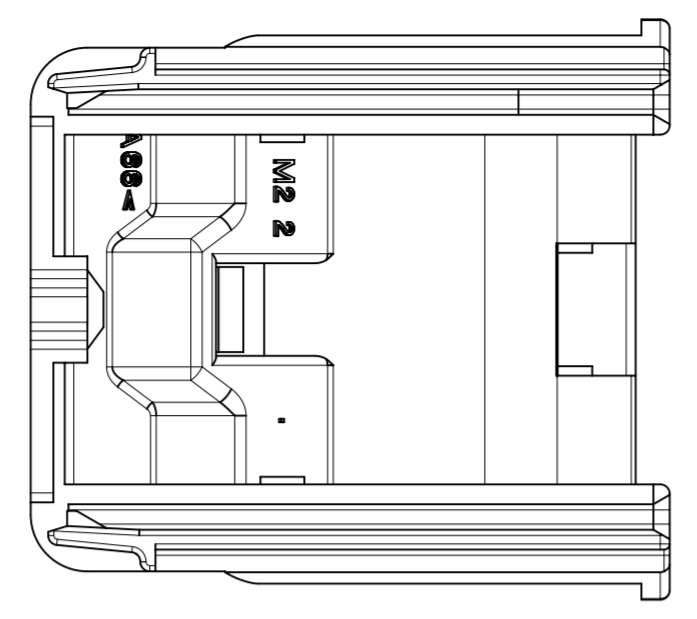


NOTES:

- 1- MATERIAL: PA 6.6 BLACK heat stabilized.
- 2- DELIVERED PRODUCT WEIGHT: 3.6g
- 3- RELATED COUNTERPART FEMALE CONNECTORS (32 WAYS, 22 WAYS).
- 4- ALL DIMENSIONS ARE TAKE OVER FROM THE 3D MODEL.

MARKINGS:

- 1 Supplier identification.
- 3 Date: MONTH/YEAR.
- 4 Material.
- 5 Mould identification M1 or M2.
- 6 Print identification (number).
- 7 Revision level



THIS DRAWING CONTAINS INFORMATION THAT IS PROPRIETARY TO MOLEX ELECTRONIC TECHNOLOGIES, LLC AND SHOULD NOT BE USED WITHOUT WRITTEN PERMISSION																	
DIMENSION UNITS		SCALE		CURRENT REV DESC: NX RE-MASTERING													
mm		2.5:1		<div style="text-align: center;">molex</div> <p>CMC WIRE CAP 32, 22 WAY MAT SEAL VERSION</p> <p>PRODUCT CUSTOMER DRAWING</p> <table border="1" style="width: 100%;"> <tr> <td>DOCUMENT NUMBER</td> <td>DOC TYPE</td> <td>DOC PART</td> <td>REVISION</td> </tr> <tr> <td style="text-align: center;">SD-64319-002</td> <td>PSD</td> <td>001</td> <td>D1</td> </tr> </table>						DOCUMENT NUMBER	DOC TYPE	DOC PART	REVISION	SD-64319-002	PSD	001	D1
DOCUMENT NUMBER	DOC TYPE	DOC PART	REVISION														
SD-64319-002	PSD	001	D1														
GENERAL TOLERANCES (UNLESS SPECIFIED)																	
ANGULAR TOL	±	0.0°															
4 PLACES	±	0.0															
3 PLACES	±	0.0															
2 PLACES	±	0.0															
1 PLACE	±	0.0															
0 PLACES	±	0.0															
DRAFT WHERE APPLICABLE MUST REMAIN WITHIN DIMENSIONS				FIRST ANGLE PROJECTION		DRAWING		SERIES									
						A2-SIZE		64319									
DOCUMENT STATUS		P1		RELEASE DATE		2018/06/14		12:23:30									
13		12		11		10		9									
8		7		6		5		4									
3		2		1													