

PART NO: 2169890001  
2169890011

- NOTE:
- MATERIAL SPECIFICATION:
    - HOUSING: HIGH TEMPERATURE RESISTANT PLASTIC, UL94 V-0.
    - CONTACTS: COPPER ALLOY
    - MIDDLE CLIP: STAINLESS STEEL
    - SHELL: STAINLESS STEEL
    - COVER SHELL: STAINLESS STEEL
  - PLATING:
    - TERMINAL: OVERALL PLATING Ni BASE 50u'~150u'.  
FUNCTIONAL AREA Au PLATING SEE P/N  
SOLDER AREA Au PLATING G/F
    - COVER SHELL: PLATING NICKEL 50u'~200u' ON SOLDERING AREA.
    - MIDDLE CLIP/BACK SHELL: CLEANING
  - PRODUCT SPEC: PS-216990-001
  - PACKAGE SPEC: 2169890001PDDPK1&2169890001PDDPK2
  - PLEASE CONTACT YOUR SALES REPRESENTATIVE IF INTENDED FOR AUTOMOTIVE
    - 2169890001 FOR MANUAL PICKING & PLACE ONLY
    - 2169890002 FOR PIP PROCESS
  - DATE CODE: YY WW D
    - YEAR
    - WEEK
    - DAY

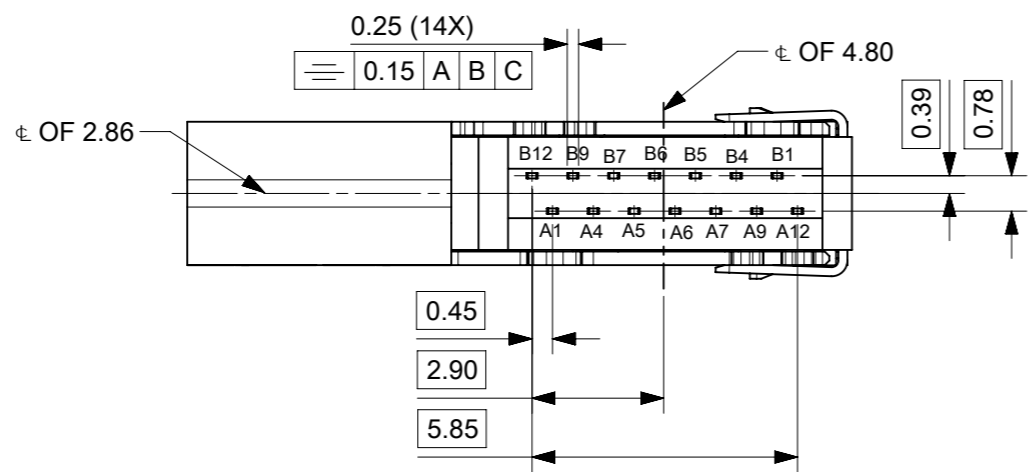
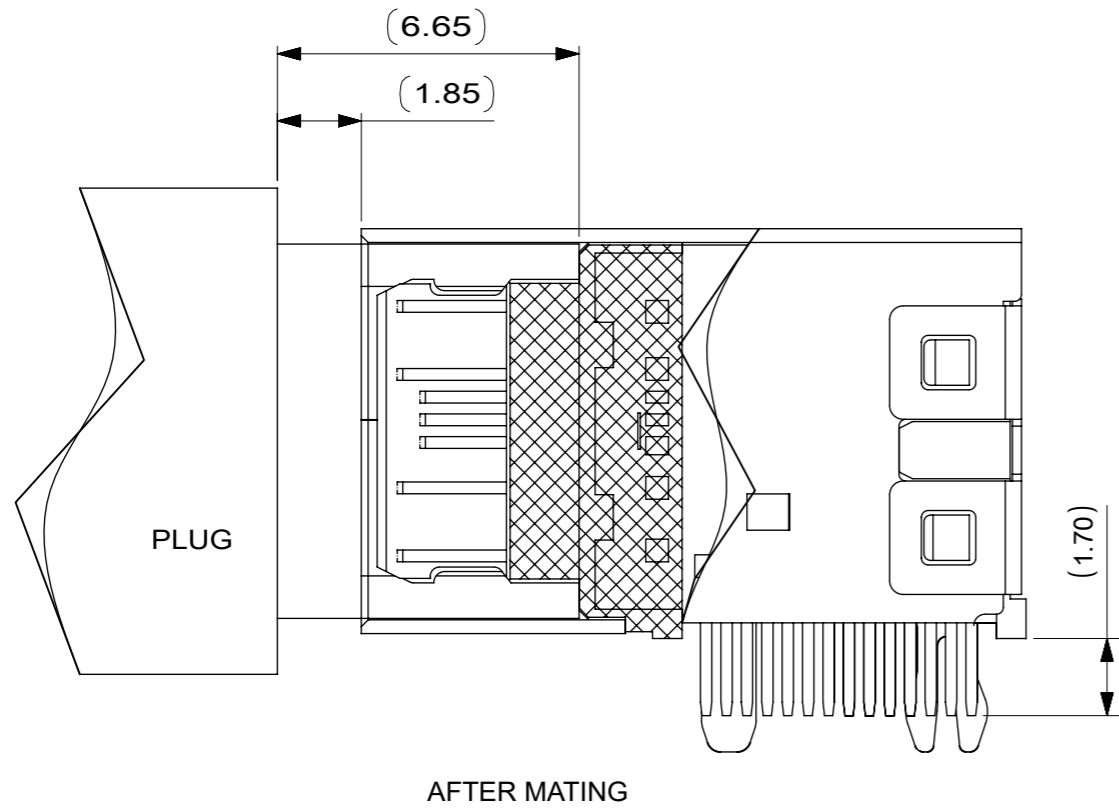


TABLE 1

PART NO.	CONTACT FUNCTIONAL AREA PLATED	SHEET	PACKAGE SPEC	REMARK
2169890001	GOLD FLASH	1 OF 4	2169890001PDDPK1	SEE NOTE 6
2169890011	30u' GOLD PLATING	1 OF 4		

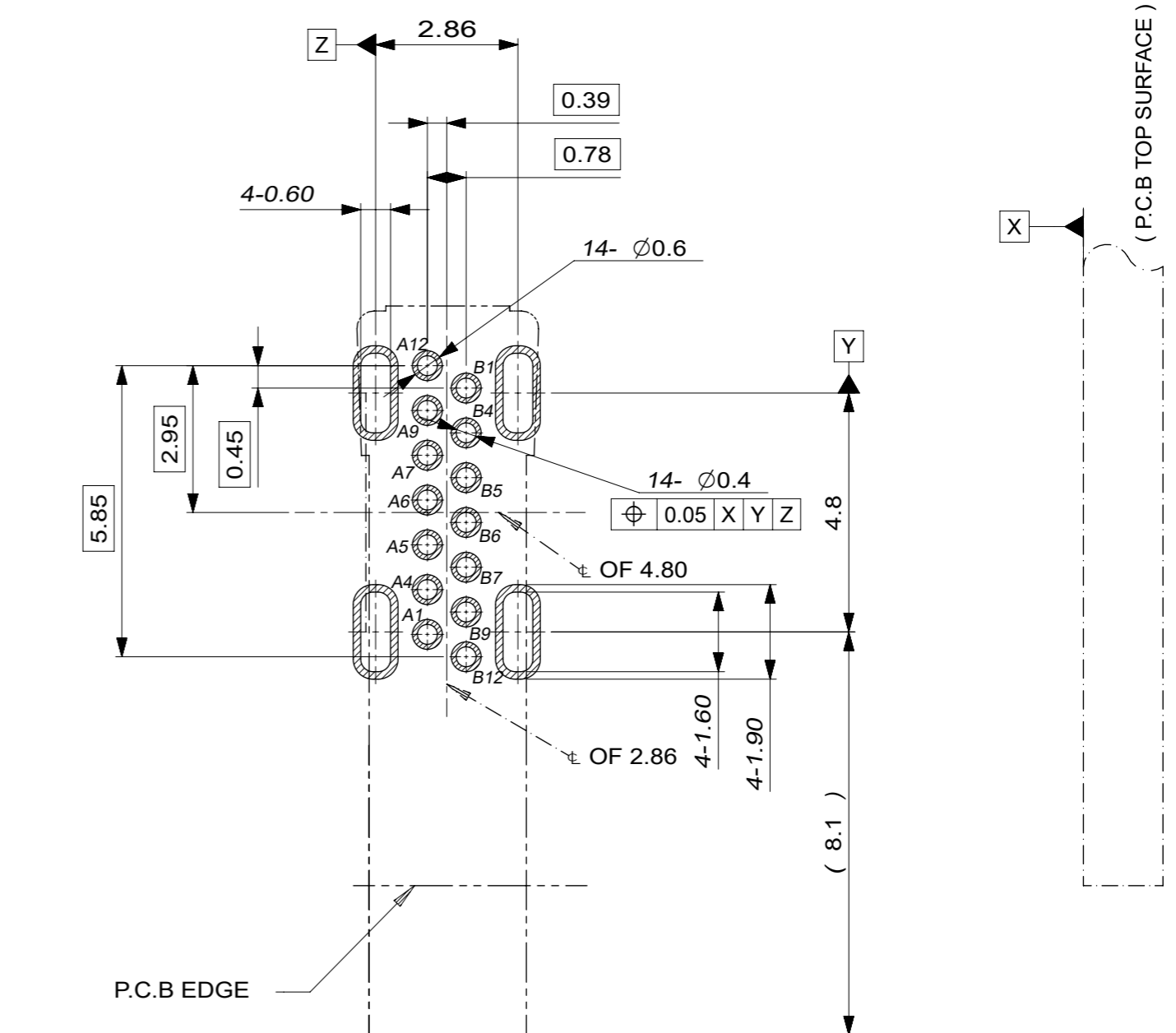
THIS DRAWING CONTAINS INFORMATION THAT IS PROPRIETARY TO MOLEX ELECTRONIC TECHNOLOGIES, LLC AND SHOULD NOT BE USED WITHOUT WRITTEN PERMISSION

DIMENSION UNITS <b>mm</b>	SCALE <b>6:1</b>	CURRENT REV DESC: ADD PN OF 2169890011/0002/0022.	<b>molex</b>		
GENERAL TOLERANCES (UNLESS SPECIFIED)					
ANGULAR TOL ± 3.0°			PRODUCT CUSTOMER DRAWING		
4 PLACES ±	EC NO: 685678	DRWN: FYANG05 2021/10/18	DOCUMENT NUMBER		
3 PLACES ± 0.1	CHK'D: RL109	2021/11/19	2169890001		
2 PLACES ± 0.2	APPR: RL109	2021/11/19	DOC TYPE DOC PART REVISION		
1 PLACE ± 0.3	INITIAL REVISION:		PSD 000 B		
0 PLACES ±	DRWN: RZHANG	2020/09/29	MATERIAL NUMBER		
DRAFT WHERE APPLICABLE MUST REMAIN WITHIN DIMENSIONS		APPR: AYIN 2021/02/05	CUSTOMER		SHEET NUMBER
THIRD ANGLE PROJECTION		DRAWING	SERIES	MATERIAL NUMBER	CUSTOMER
A3-SIZE		216989	2169890001	1 OF 4	



USB TYPE-C PIN ASSIGNMENTS

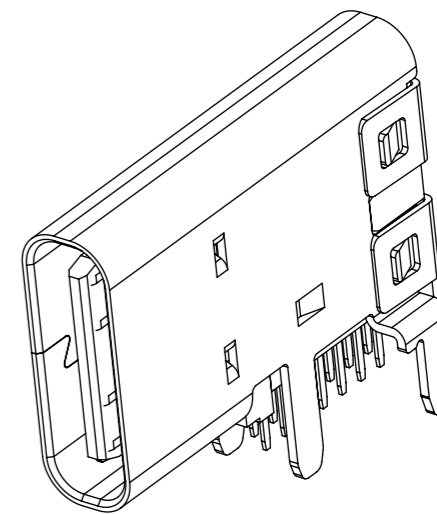
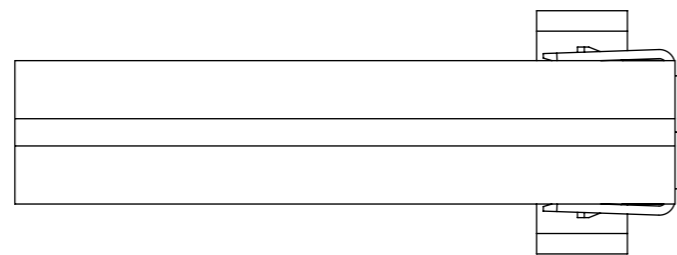
PIN NUMBER	SIGNAL NAME	PIN NUMBER	SIGNAL NAME
A1	GND	B12	GND
A4	VBUS	B9	VBUS
A5	CC1		
A6	Dp1	B7	Dn2
A7	Dn1	B6	Dp2
		B5	CC2
A9	VBUS	B4	VBUS
A12	GND	B1	GND



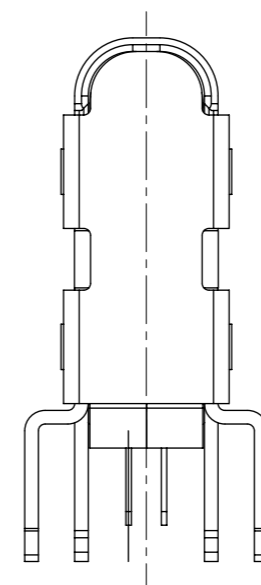
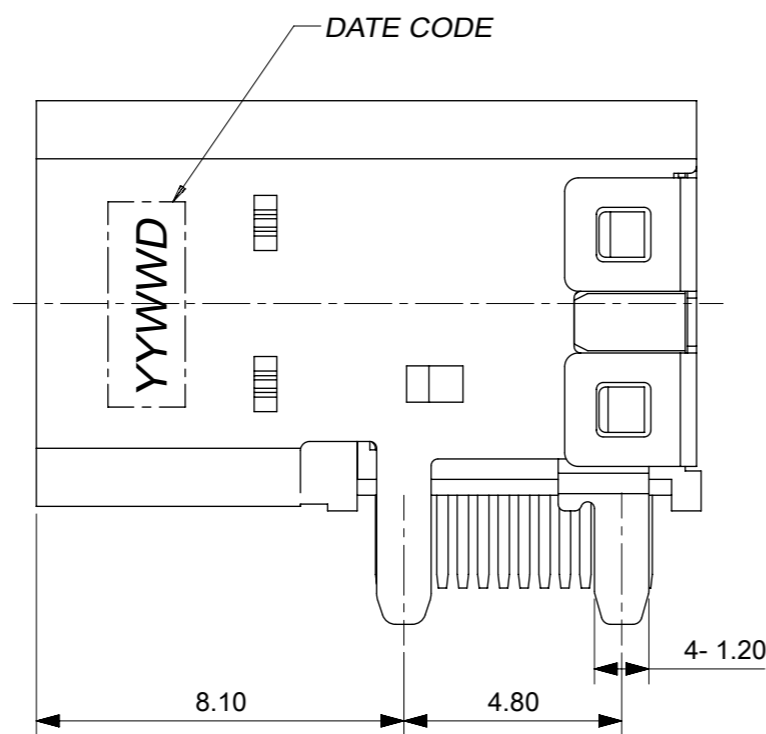
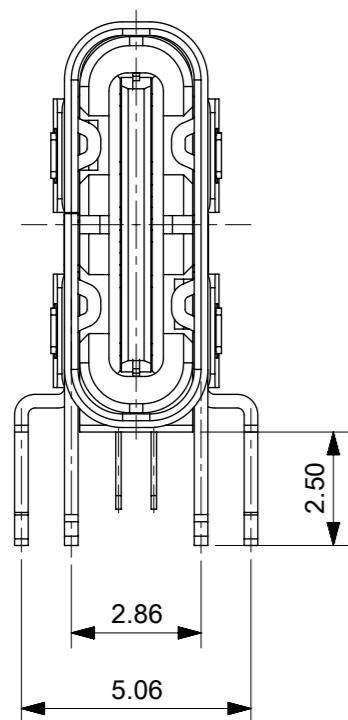
RECOMMENDED PCB LAYOUT(TOP VIEW)

THICKNESS IS 1.40, DEFAULT TOLERANCE: ±0.05  
FOR PART NO: 216989 0001/0011

THIS DRAWING CONTAINS INFORMATION THAT IS PROPRIETARY TO MOLEX ELECTRONIC TECHNOLOGIES, LLC AND SHOULD NOT BE USED WITHOUT WRITTEN PERMISSION										
DIMENSION UNITS	SCALE	CURRENT REV DESC: ADD PN OF 2169890011/0002/0022.								
mm	1:1									
GENERAL TOLERANCES (UNLESS SPECIFIED)										
ANGULAR TOL	± 3.0 °	<b>USB TYPE C UPRIGHT 14 PIN</b>								
4 PLACES	±									
3 PLACES	± 0.1	<b>PRODUCT CUSTOMER DRAWING</b>								
2 PLACES	± 0.2									
1 PLACE	± 0.3	EC NO: 685678 DRWN: FYANG05 2021/10/18 CHK'D: RLI09 2021/11/19 APPR: RLI09 2021/11/19								
0 PLACES	±									
DRAFT WHERE APPLICABLE MUST REMAIN WITHIN DIMENSIONS		THIRD ANGLE PROJECTION	DRAWING	SERIES	MATERIAL NUMBER	CUSTOMER	DOCUMENT NUMBER	DOC TYPE	DOC PART	REVISION
			A3-SIZE	216989	2169890001		2169890001	PSD	000	B



PART NO:2169890002  
2169890022

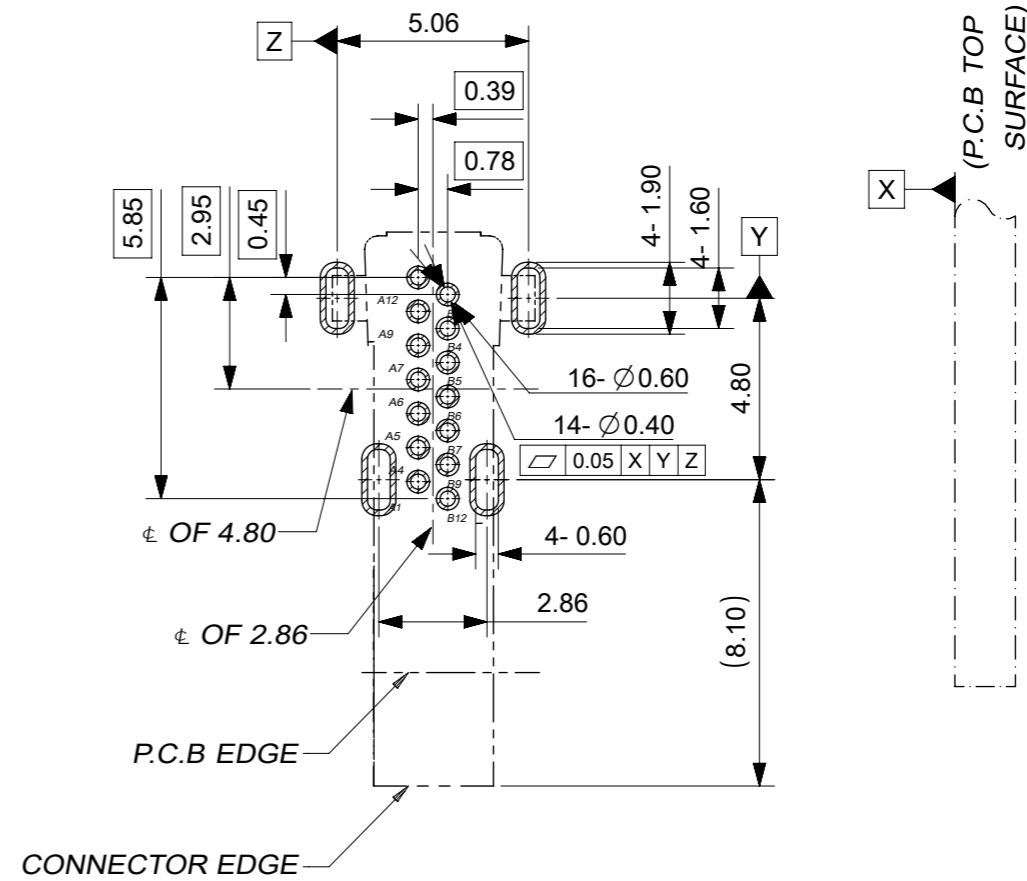
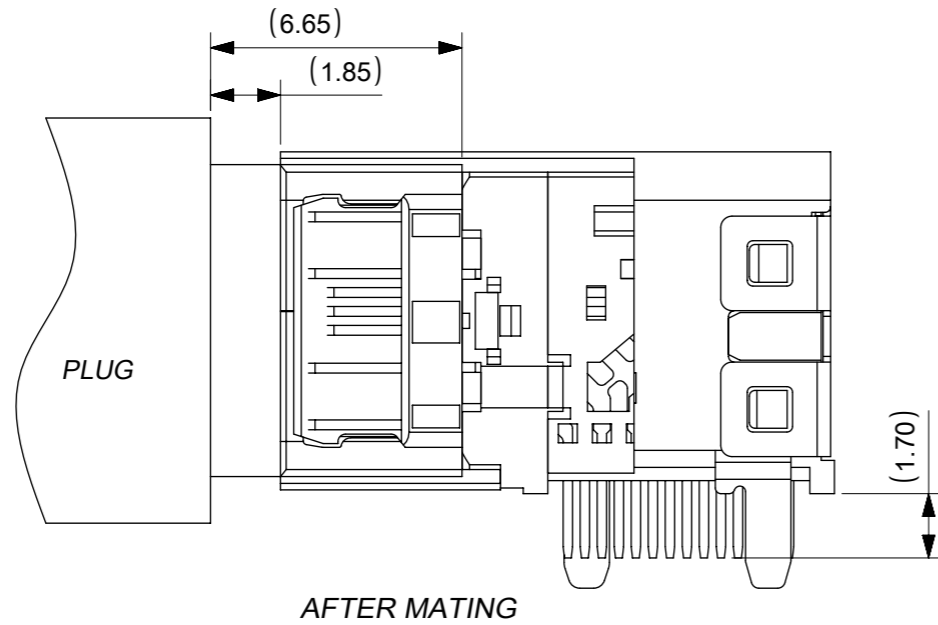


NOTES:  
UNSPECIFIED DIMENSIONS FOLLOW 2169890001 IN SHEET 1 OF 4.

TABLE 2

PART NO.	CONTACT FUNCTIONAL ARER PLATED	SHEET	PACKAGE SPEC	REMARK
2169890002	GOLD FLASH	3 OF 4	2169890002PDDPK1	SEE NOTE 7
2169890022	30u' GOLD PLATING	3 OF 4		

THIS DRAWING CONTAINS INFORMATION THAT IS PROPRIETARY TO MOLEX ELECTRONIC TECHNOLOGIES, LLC AND SHOULD NOT BE USED WITHOUT WRITTEN PERMISSION										
DIMENSION UNITS <b>mm</b>		SCALE <b>1:1</b>		CURRENT REV DESC: ADD PN OF 2169890011/0002/0022.			<b>molex</b>			
GENERAL TOLERANCES (UNLESS SPECIFIED)				EC NO: 685678						USB TYPE C UPRIGHT 14 PIN
				MM		INCH		PRODUCT CUSTOMER DRAWING		
4 PLACES ±				±		±		DOCUMENT NUMBER		
3 PLACES ± 0.1				±		±		2169890001		
2 PLACES ± 0.2				±		±		PSD 000 B		
1 PLACE ± 0.3				±		±		REVISION		
0 PLACES ±				±		±		3 OF 4		
ANGULAR TOL ± 3.0°				±		±		SHEET NUMBER		
DRAFT WHERE APPLICABLE MUST REMAIN WITHIN DIMENSIONS				THIRD ANGLE PROJECTION		DRAWING		SERIES		MATERIAL NUMBER
				A3-SIZE		216989		CUSTOMER		



USB TYPE-C PIN ASSIGNMENTS

PIN NUMBER	SIGNAL NAME	PIN NUMBER	SIGNAL NAME
A1	GND	B12	GND
A4	VBUS	B9	VBUS
A5	CC1		
A6	Dp1	B7	Dn2
A7	Dn1	B6	Dp2
		B5	CC2
A9	VBUS	B4	VBUS
A12	GND	B1	GND

RECOMMENDED PCB LAYOUT(TOP VIEW)

THICKNESS IS 1.40, DEFAULT TOLERANCE: ±0.05  
FOR PART NO: 216989 0002/0022

FUNCTIONAL SYMBOLS	THIS DRAWING CONTAINS INFORMATION THAT IS PROPRIETARY TO MOLEX ELECTRONIC TECHNOLOGIES, LLC AND SHOULD NOT BE USED WITHOUT WRITTEN PERMISSION			
	DIMENSION UNITS: mm SCALE: 1:1 CURRENT REV DESC: ADD PN OF 2169890011/0002/0022.			USB TYPE C UPRIGHT 14 PIN
DIVISIONAL SYMBOLS	GENERAL TOLERANCES (UNLESS SPECIFIED) 4 PLACES ± 0.2 3 PLACES ± 0.1 2 PLACES ± 0.2 1 PLACE ± 0.3 ANGULAR TOL ± 3.0°	EC NO: 685678 DRWN: FYANG05 CHK'D: RLI09 APPR: RLI09	2021/10/18 2021/11/19 2021/11/19	PRODUCT CUSTOMER DRAWING
	DRAFT WHERE APPLICABLE MUST REMAIN WITHIN DIMENSIONS	THIRD ANGLE PROJECTION	DRAWING: A3-SIZE SERIES: 216989	DOCUMENT NUMBER: 2169890001 DOC TYPE: PSD DOC PART: 000 REVISION: B