



**ANATECH ELECTRONICS INC**  
RF & Microwave Filters & Products

## 32 MHz LC Band Pass Filter

**Part Number: AE32B5450**



### Electrical Specifications

**Center Frequency (CF):** 32 MHz  
**3dB Passband:** 26.9-38.12 MHz  
**Insertion Loss @ CF:** 3.0 dB Max.  
**Ripple:** 0.1dB Max.  
**Return Loss @ 28-36 MHz:** 14dB Min.  
**Rejection1:** 40 dB Min @ 22.75 MHz  
**Rejection2:** 40 dB Min @ 45.08-500 MHz  
**Power Handling :** 10 W

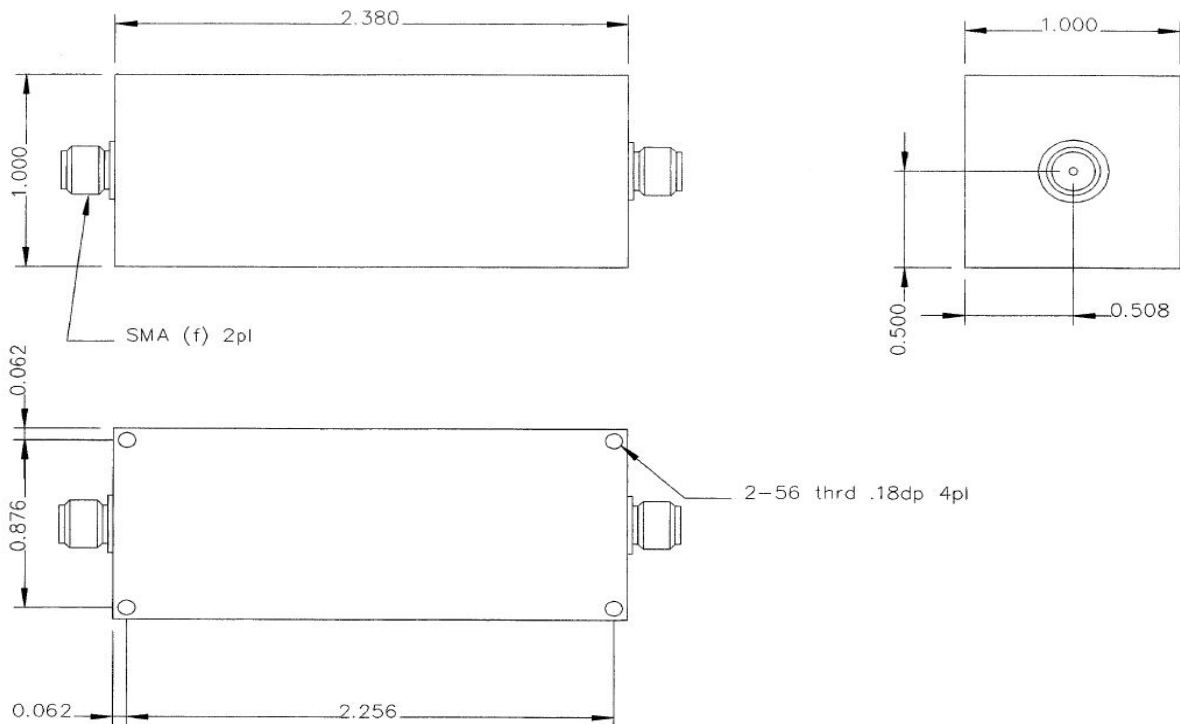
### Mechanical

**Mounting Method:** Threaded Holes  
**Connector Type:** SMA(F)  
**Dimensions:** 2.38" X 1.0" x 1.0".

### Environmental

**Operating Temperature:** -25°C to +70°C  
**Storage Temperature:** -40°C to +90°C  
**Shock:** 10 G. 11ms  
**Vibration:** 10 G. 5 to 200Hz

### Outline Drawing:



Tolerance: +/-0.01 inches [ +/- 0.3mm]

Angles: +/- 1 Deg.

\*Tolerance as shown unless otherwise specified in the datasheet electrical specification tables above.

\*When max dimensions are called out the above tolerances do not apply as long as it is under the max call out.

**70 Outwater Lane Phone: (973) 772-4242**  
**Garfield, NJ 07026 Fax : (973) 321-3941**

**Email: [sales@anatechelectronics.com](mailto:sales@anatechelectronics.com)**  
**Web: [www.anatechelectronics.com](http://www.anatechelectronics.com)**



**ANATECH ELECTRONICS INC**  
RF & Microwave Filters & Products

# 32 MHz LC Band Pass Filter

**Part Number: AE32B5450**

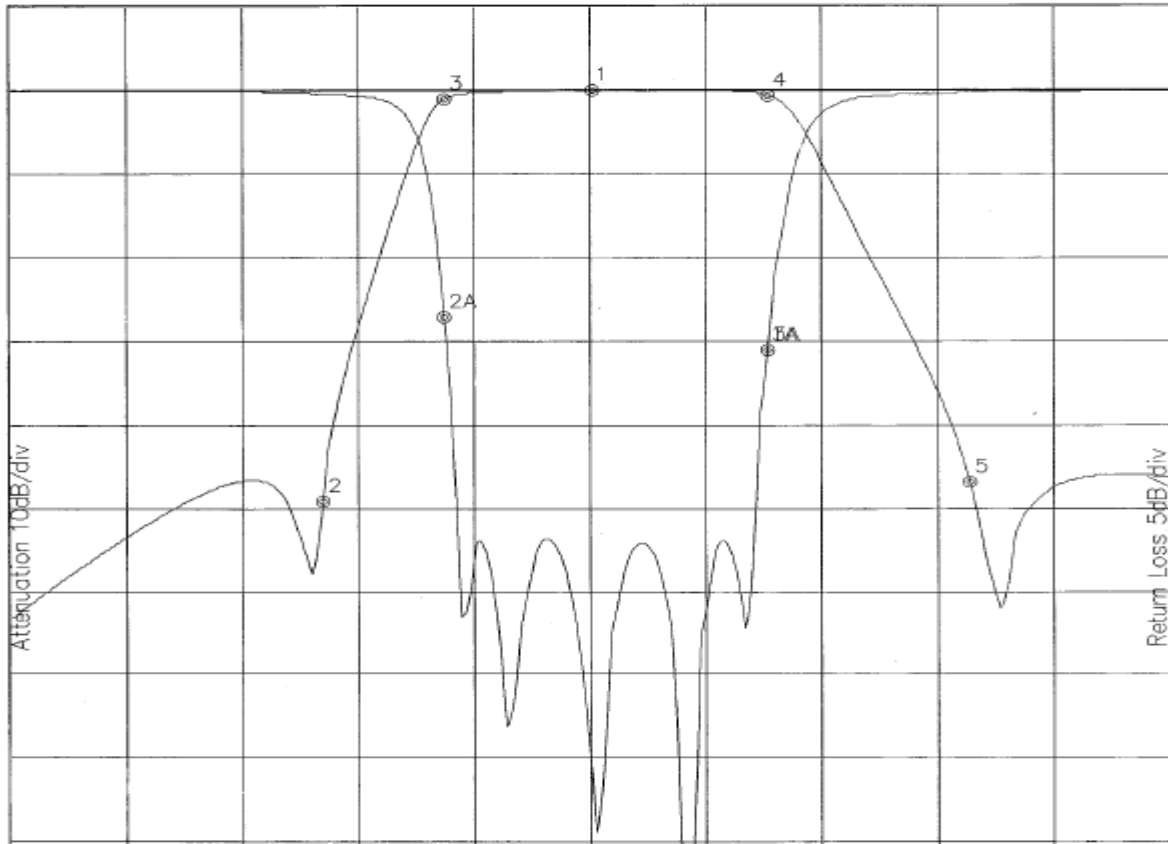


## Simulation Plot:

B5450.lad

AUG 1, 2000

Attenuation/Return Loss



Attenuation Start: 12.0MHz Stop: 52.0MHz

Return Loss Start: 12.0MHz Stop: 52.0MHz

Offset -0.6521dB

Marker 1 Freq 32.032MHz Atten 0.060dB  
Marker 2 Freq 22.727MHz Atten -49.032dB  
Marker 3 Freq 26.927MHz Atten -1.049dB  
Marker 4 Freq 38.107MHz Atten -0.614dB  
Marker 5 Freq 45.086MHz Atten -46.666dB

Marker 1A Freq 38.107MHz Ret Loss -15.495dB  
Marker 2A Freq 26.927MHz Ret Loss -13.536dB  
Marker 3A Freq 38.107MHz Ret Loss -15.495dB

Note: This is a simulated response plot. Actual performance might differ.

70 Outwater Lane Phone: (973) 772-4242  
Garfield, NJ 07026 Fax : (973) 321-3941

Email: [sales@anatechelectronics.com](mailto:sales@anatechelectronics.com)  
Web: [www.anatechelectronics.com](http://www.anatechelectronics.com)