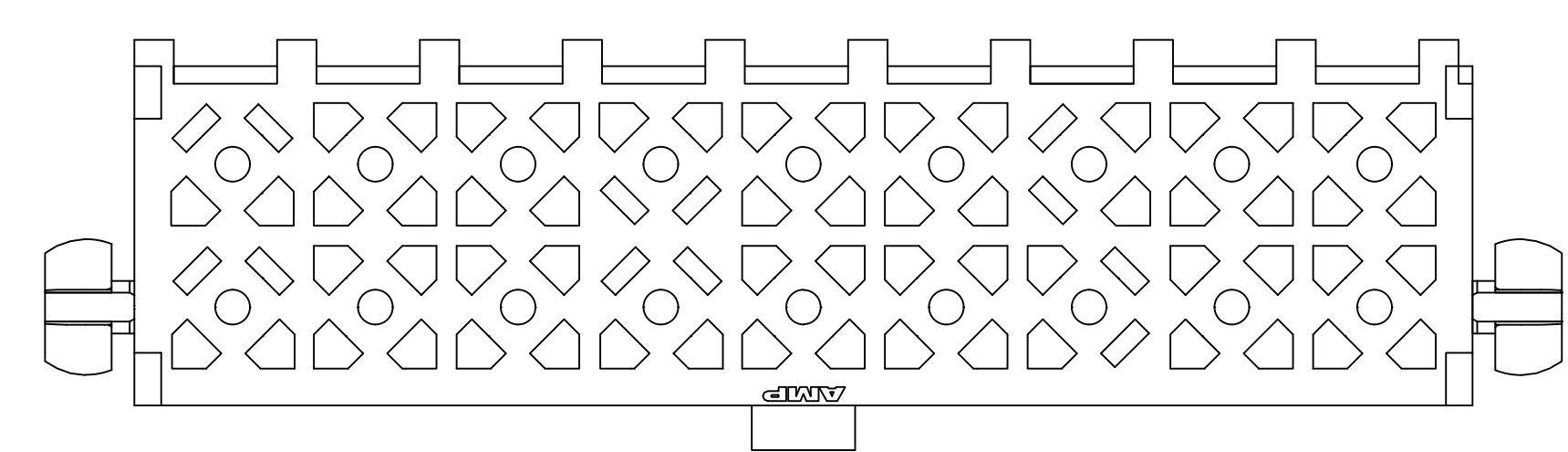
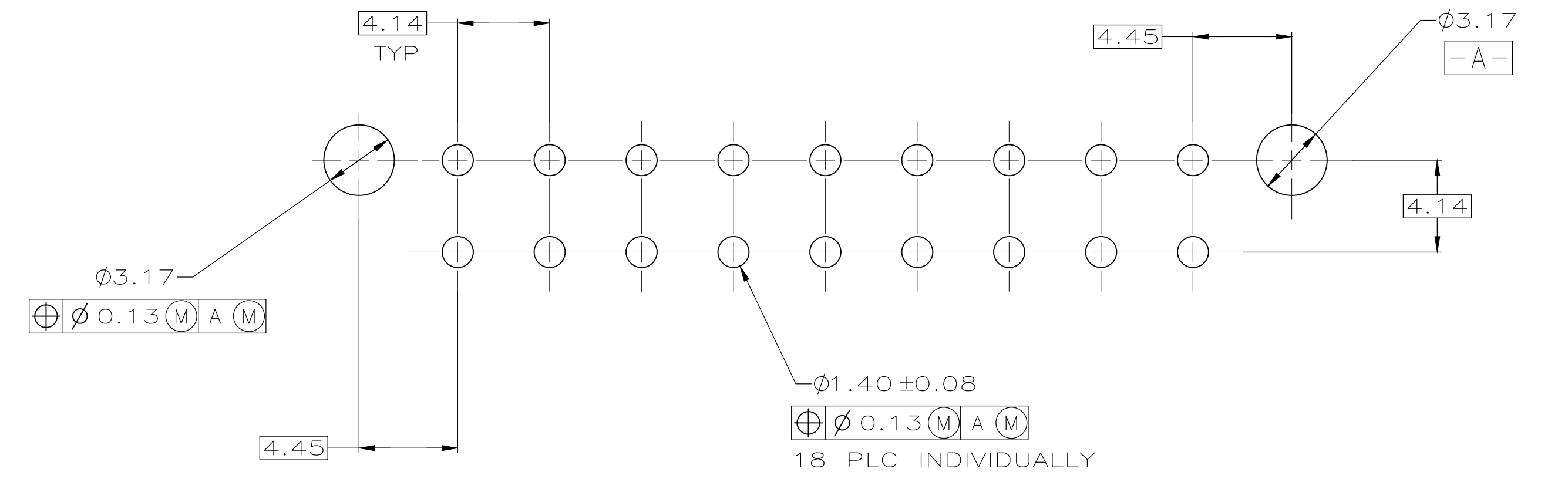
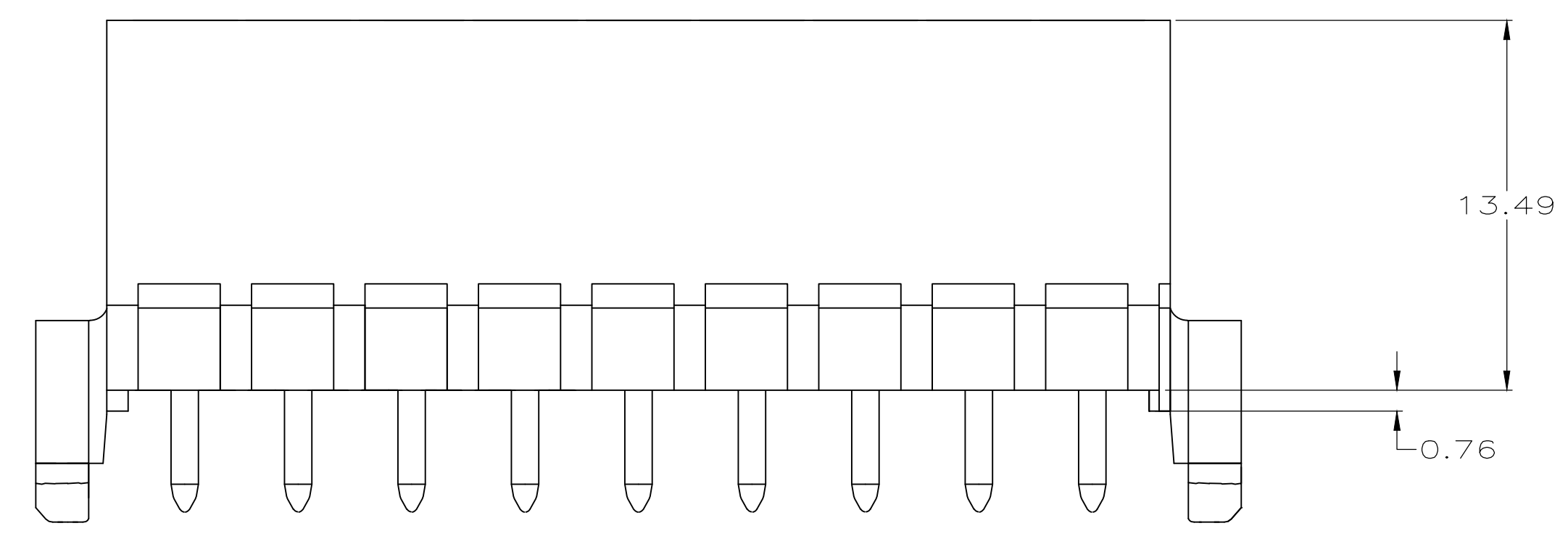
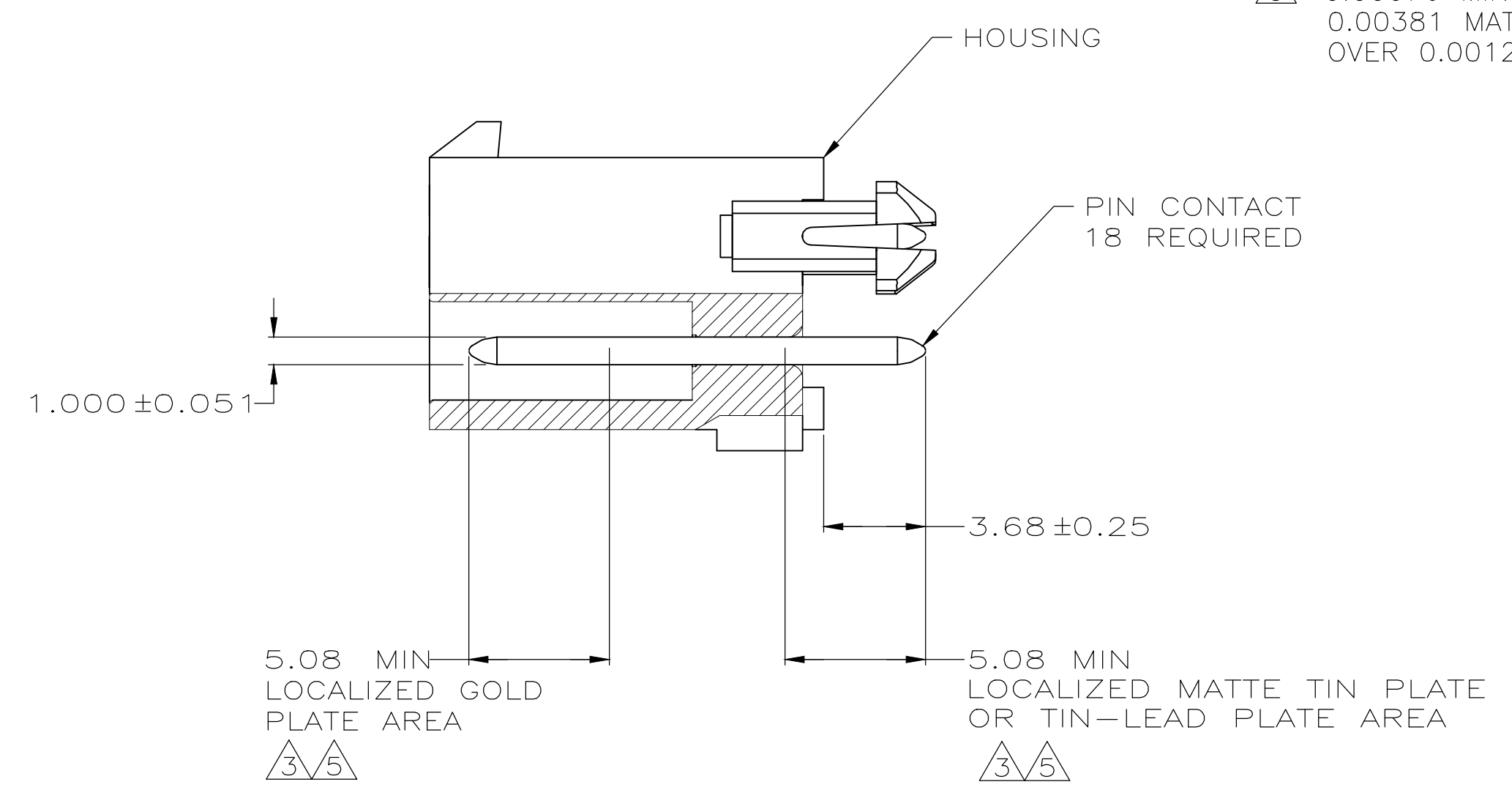
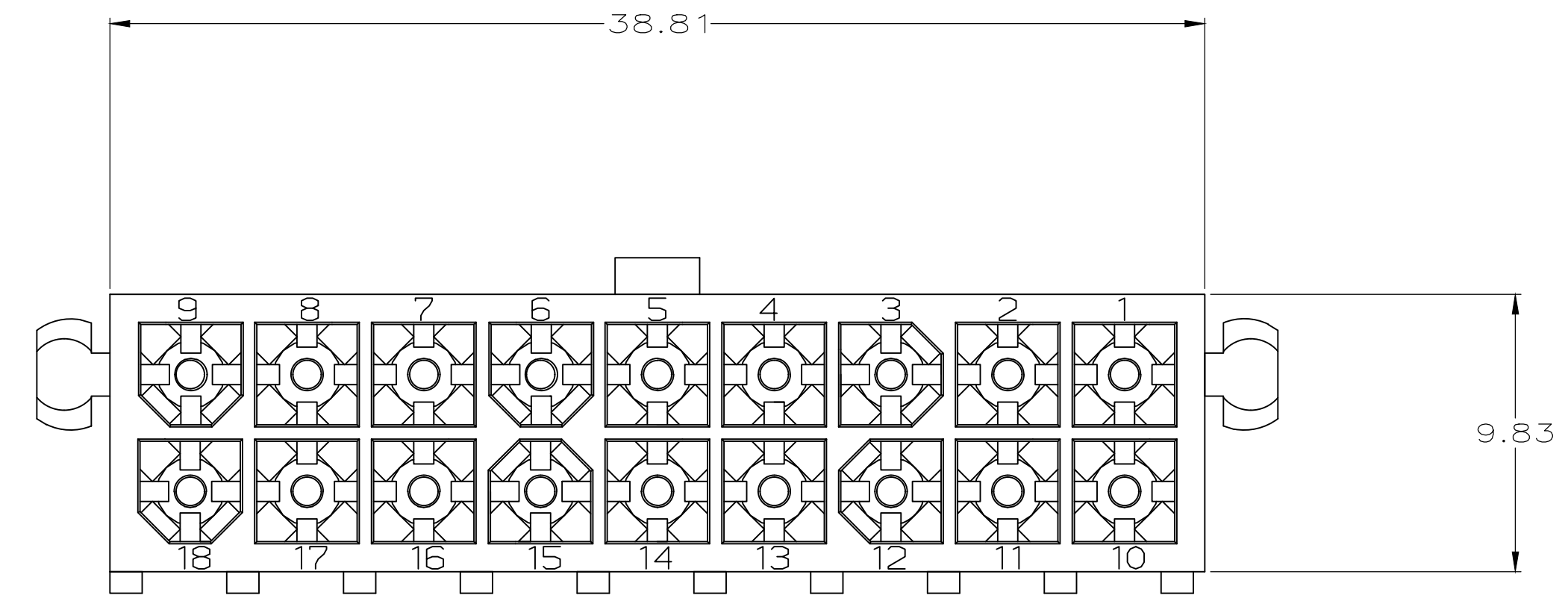


- PINS TO COMPLY WITH AMP SOLDERABILITY SPEC. 108-11-3.
- 0.00381 MIN MATTE TIN LEAD OVER 0.00127 MIN NICKEL.
- 0.00076 MIN GOLD PLATE IN THE LOCALIZED PLATE AREA, 0.00381 MATTE TIN LEAD IN THE LOCALIZED PLATE AREA, BOTH OVER 0.00127 MIN NICKEL.
- 0.00381 MIN MATTE TIN OVER 0.00127 MIN NICKEL.
- 0.00076 MIN GOLD PLATE IN THE LOCALIZED PLATE AREA, 0.00381 MATTE TIN IN THE LOCALIZED PLATE AREA, BOTH OVER 0.00127 MIN NICKEL.



OBSOLETE	BRASS, GOLD	NYLON, 94V-0, WHITE	1-794069-1
	BRASS, TIN	NYLON, 94V-0, WHITE	1-794069-0
	BRASS, GOLD	NYLON, 94V-0, WHITE	<del>794069-2</del>
	BRASS, TIN LEAD	NYLON, 94V-0, WHITE	<del>794069-1</del>
PIN CONTACT MATERIAL AND FINISH		HOUSING MATERIAL AND COLOR	PART NUMBER

THIS DRAWING IS A CONTROLLED DOCUMENT.

DIMENSIONS: mm	TOLERANCES UNLESS OTHERWISE SPECIFIED:	DIN K. WHITAKER 6-09-95	CHK R. SWING 6-09-95	APVD R. ORSTAD 6-13-95	NAME
0 PLC ± -	1 PLC ± -	TE Connectivity			HEADER ASSEMBLY, 18 CIRCUIT, DOUBLE ROW VERTICAL, MINI-UNIVERSAL MATE-N-LOK
2 PLC ± 0.13	3 PLC ± -	SIZE	CAGE CODE	DRAWING NO	RESTRICTED TO
4 PLC ± -	ANGLES ± -	A1	00779	794069	-
MATERIAL SEE TABLE	FINISH SEE TABLE	WEIGHT	SCALE	SHEET	REV
			5:1	1 of 1	E1