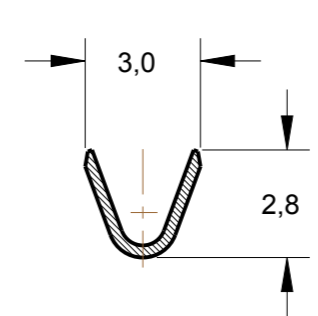
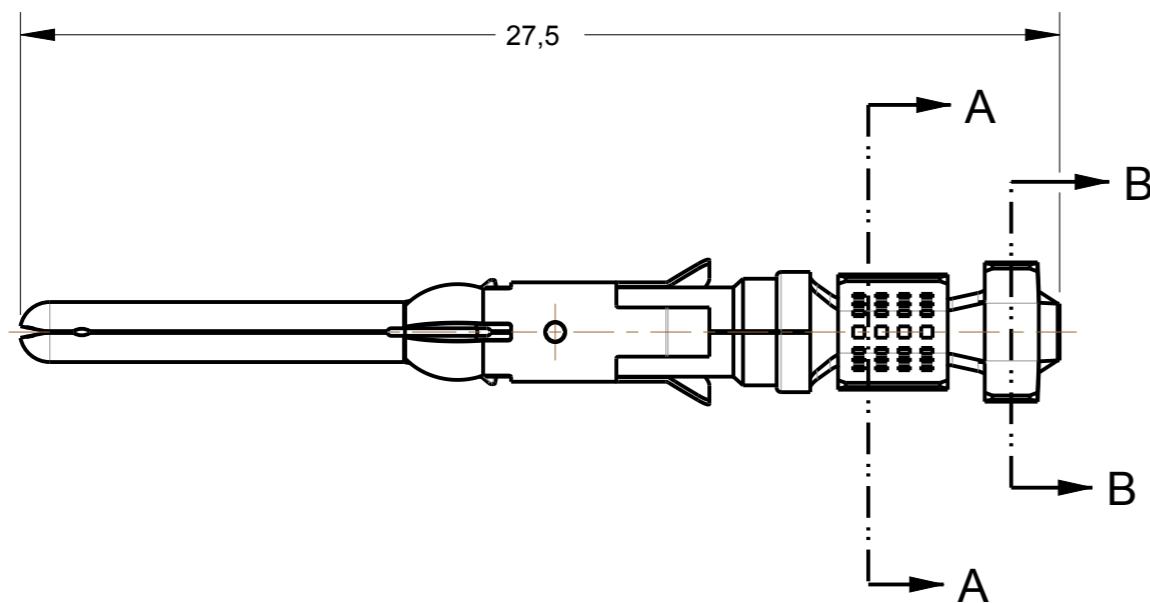
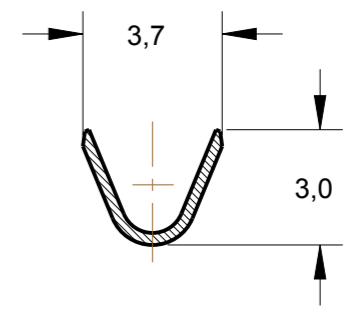


creo
 Creo Parametric 3.0
**DO NOT REVISE
 EXCEPT BY CAD**

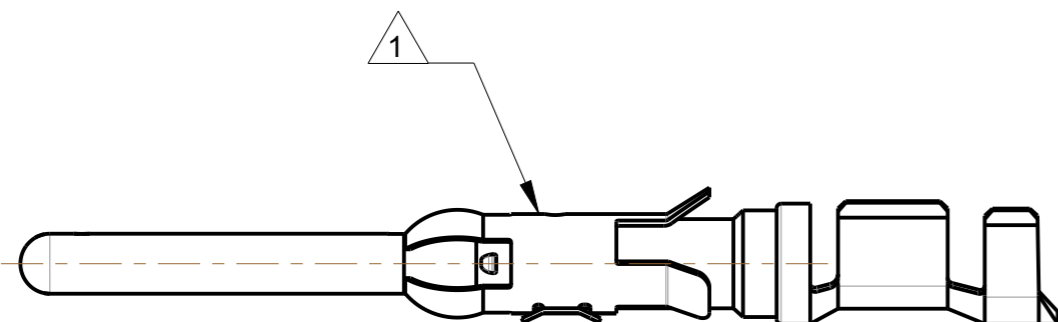
REVISIONS					
P	LTR	DESCRIPTION	DATE	DWN	APVD
	A1	REVISED DRAWING ECO-17-007396	23MAY2017	NCL	DAO



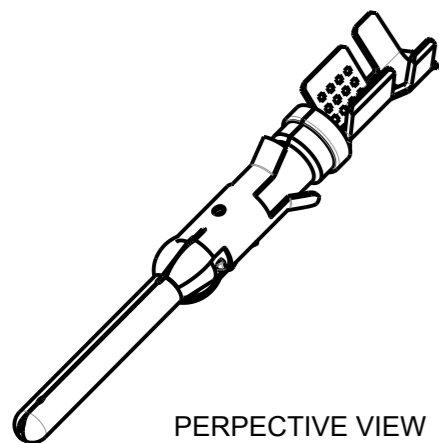
SECTION A-A
SCALE 5:1



SECTION B-B
SCALE 5:1



1 - MOLA DE AÇO INOX
 - SPRING STAINLESS STEEL



PERPECTIVE VIEW
SCALE 3:1

INSUL.RANGE	WIRE RANGE
2,0-2,5mm (.080-.100)	0,75-1,50mm ² (18-16 AWG)

163081-2	DOURADO (SEL.GOLD)	LATÃO / BRASS	881459-2																												
1-163081-2	PRE ESTANHADO (PRE TIN)	LATÃO / BRASS	881459-1																												
MAKE FROM(STRIP)		FINISH	MATERIAL																												
THIS DRAWING IS A CONTROLLED DOCUMENT.		TE Connectivity																													
<table border="1"> <tr> <th>DIMENSIONS:</th> <th>TOLERANCES UNLESS OTHERWISE SPECIFIED:</th> </tr> <tr> <td>mm</td> <td></td> </tr> <tr> <td></td> <td>0 PLC ±-</td> </tr> <tr> <td></td> <td>1 PLC ±0,3</td> </tr> <tr> <td></td> <td>2 PLC ±-</td> </tr> <tr> <td></td> <td>3 PLC ±-</td> </tr> <tr> <td></td> <td>4 PLC ±-</td> </tr> <tr> <td></td> <td>ANGLES ±1°</td> </tr> </table>		DIMENSIONS:	TOLERANCES UNLESS OTHERWISE SPECIFIED:	mm			0 PLC ±-		1 PLC ±0,3		2 PLC ±-		3 PLC ±-		4 PLC ±-		ANGLES ±1°	<table border="1"> <tr> <td>DWN</td> <td>23MAY2017</td> </tr> <tr> <td>CHK</td> <td>23MAY2017</td> </tr> <tr> <td>APVD</td> <td>23MAY2017</td> </tr> <tr> <td>PRODUCT SPEC</td> <td></td> </tr> <tr> <td>APPLICATION SPEC</td> <td></td> </tr> <tr> <td>WEIGHT</td> <td></td> </tr> </table>		DWN	23MAY2017	CHK	23MAY2017	APVD	23MAY2017	PRODUCT SPEC		APPLICATION SPEC		WEIGHT	
DIMENSIONS:	TOLERANCES UNLESS OTHERWISE SPECIFIED:																														
mm																															
	0 PLC ±-																														
	1 PLC ±0,3																														
	2 PLC ±-																														
	3 PLC ±-																														
	4 PLC ±-																														
	ANGLES ±1°																														
DWN	23MAY2017																														
CHK	23MAY2017																														
APVD	23MAY2017																														
PRODUCT SPEC																															
APPLICATION SPEC																															
WEIGHT																															
MATERIAL SEE TABLE		<table border="1"> <tr> <td>NAME</td> <td colspan="3">PIN TYPE III 1.6 DIA TERMINAL LOOSE PIECE</td> </tr> <tr> <td>SIZE</td> <td>A3</td> <td>CAGE CODE</td> <td>C-881459</td> </tr> </table>		NAME	PIN TYPE III 1.6 DIA TERMINAL LOOSE PIECE			SIZE	A3	CAGE CODE	C-881459																				
NAME	PIN TYPE III 1.6 DIA TERMINAL LOOSE PIECE																														
SIZE	A3	CAGE CODE	C-881459																												
CUSTOMER DRAWING		SCALE	5:1																												
		SHEET	1 OF 1																												
		REV	A1																												