

MATERIALS AND FINISHES

PART NO. 73413-0060
HOUSING
BRASS
PLATED GOLD

CENTER CONTACT
BRASS
PLATED GOLD

CAP
BRASS
PLATED GOLD

OUTER CONTACT
BERYLLIUM COPPER
PLATED GOLD

INSULATOR
TEFLON

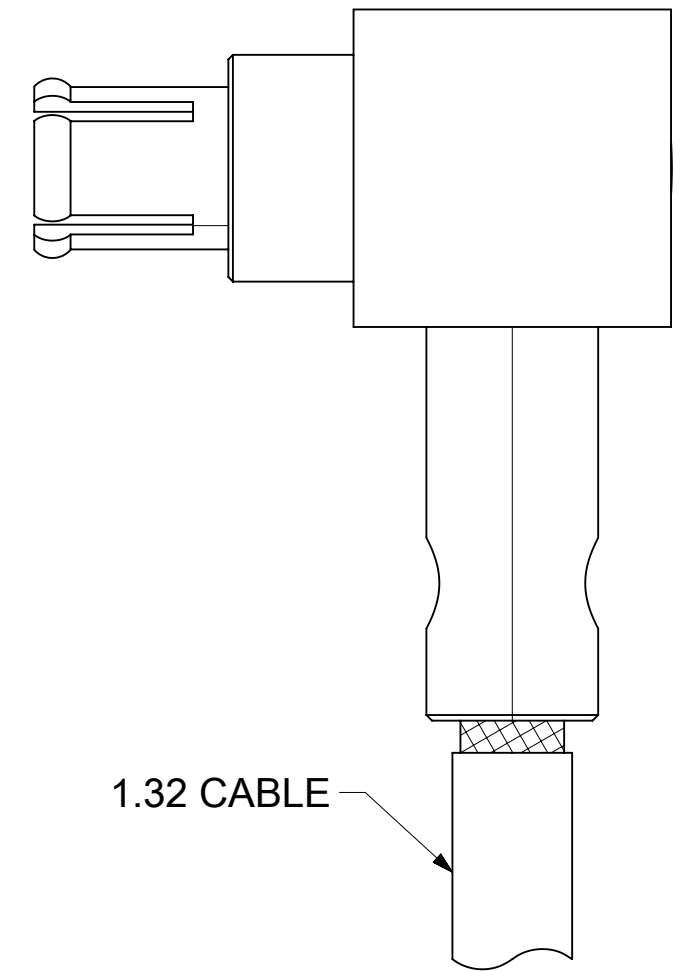
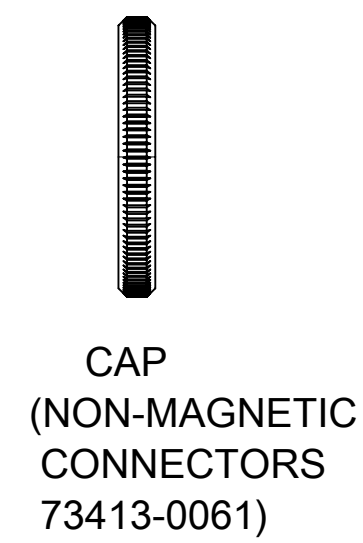
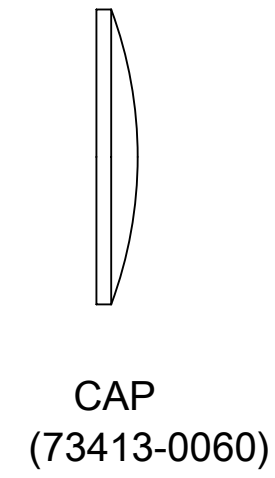
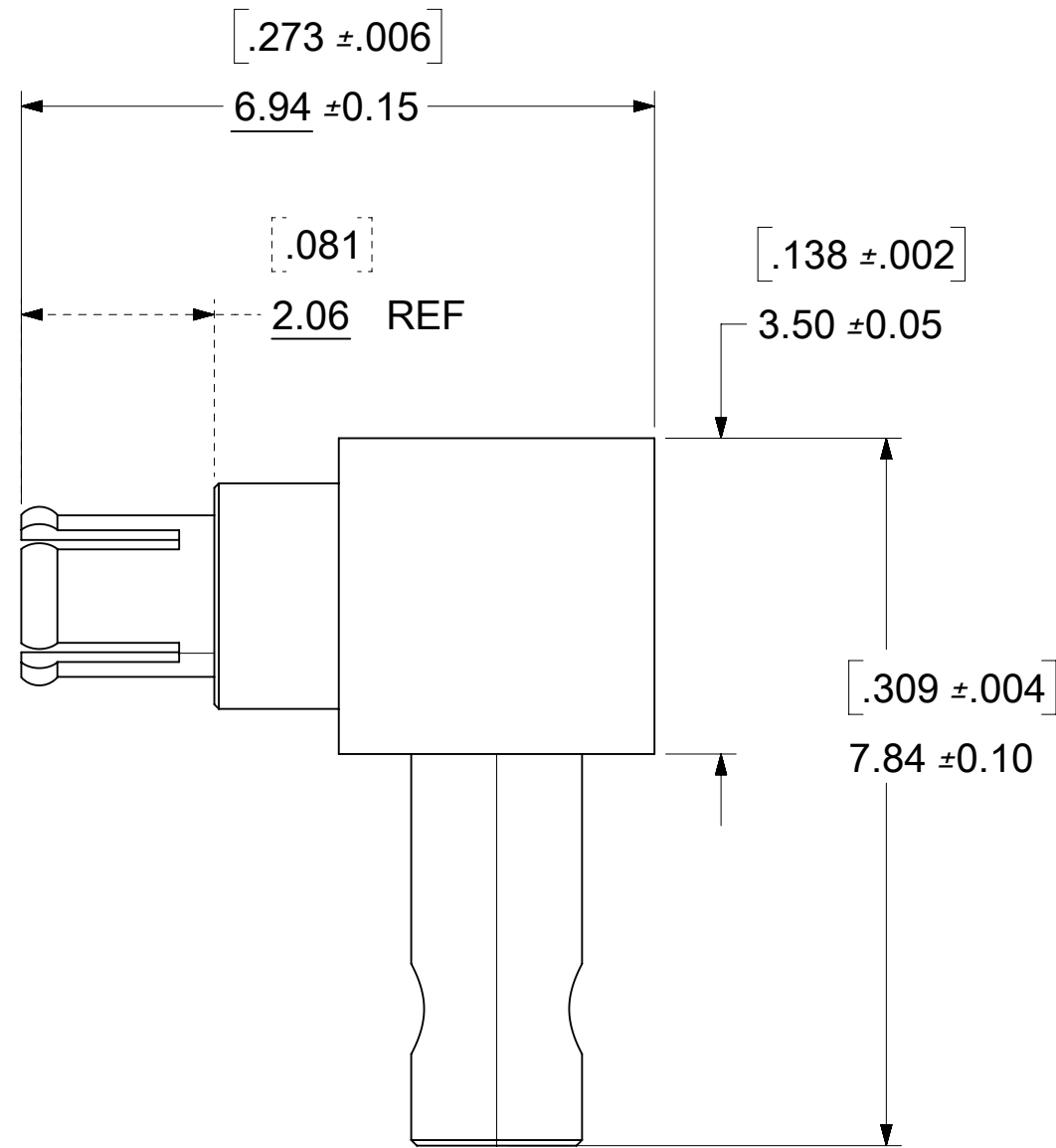
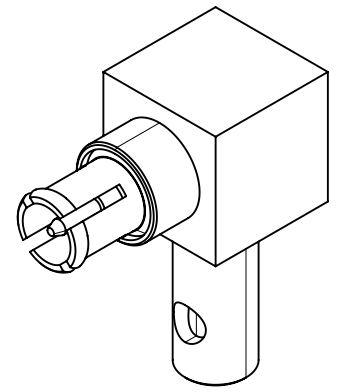
PART NO. 73413-0061
HOUSING
BERYLLIUM COPPER
PLATED TRI-METAL

CENTER CONTACT
BERYLLIUM COPPER
PLATED GOLD

CAP
BERYLLIUM COPPER
PLATED GOLD

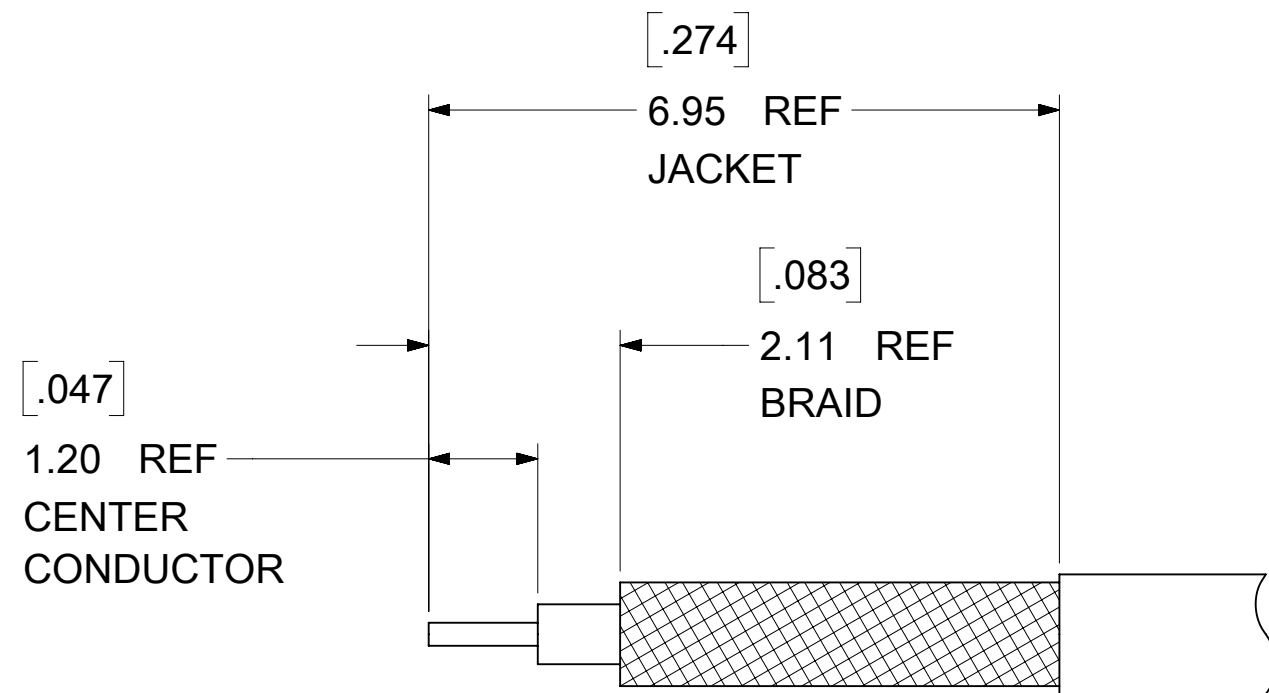
OUTER CONTACT
BERYLLIUM COPPER
PLATED GOLD

INSULATOR
TEFLON



CABLE ASSEMBLY INSTRUCTIONS:

1. STRIP CABLE
2. INSERT CABLE INTO BODY
3. SOLDER CABLE CENTER CONDUCTOR TO CENTER CONTACT
4. SOLDER CABLE TO BODY



RECOMMENDED CABLE STRIP

73413-0062	SAME AS 73413-0060	ONE PER BAG
73413-0061	NON-MAGNETIC TYPE	TRAY
73413-0060	GENERAL TYPE	TRAY
PART NO.	DESCRIPTION	PACKAGING

A5	2017/10/19	REDRAWN; ADD PKG FOR -0060/61 PER RF17-E122
REV.	DATE	DESCRIPTION

THIS DRAWING CONTAINS INFORMATION THAT IS PROPRIETARY TO MOLEX ELECTRONIC TECHNOLOGIES, LLC AND SHOULD NOT BE USED WITHOUT WRITTEN PERMISSION

EC NO: 123855 DRWN: CWEI02 CHKD: YCHENG REV: APPR:	2017/10/19	2017/11/08	GENERAL TOLERANCES (UNLESS SPECIFIED)	DIMENSION UNITS	SCALE			
			ANGULAR TOL ± 2.0 °	mm				
	4 PLACES	±	DRWN BY	JOHN	DATE		2005/03/30	
	3 PLACES	±	CHK'D BY	KERRIE	DATE		2005/03/30	
			2 PLACES	±	APPR BY	MISEN	DATE	2005/03/30
			1 PLACE	±	DRAWING SIZE	C	THIRD ANGLE PROJECTION	
			0 PLACES	±	DRAFT WHERE APPLICABLE MUST REMAIN WITHIN DIMENSIONS			

SERIES	MATERIAL NUMBER	CUSTOMER
73413	SEE TABLE	GENERAL MARKET
DOCUMENT NUMBER	DOC TYPE	DOC PART
SD-73413-006	PSD	001
SHEET NUMBER		1 OF 1