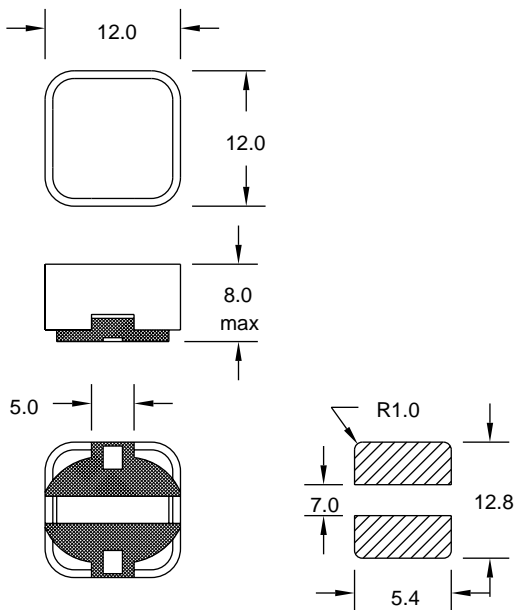


Shielded, SMT Power Inductors

Special Features

- High current capacity
- Magnetic shielded for low radiation
- Ferrite bobbin core
- Low core loss for high frequency power application
- Compact size
- Large terminal surface for good PCB bonding
- Operating temperature -30 to +100°C
- Current to cause maximum 25% of inductance drop, or 40°C temperature rise
- Tape & reel packaged 500/reel

PM127SH Series				
Part Number	L (uH) +40/-20%	Test Freq. (KHz)	DCR (Ω) Max.	I, DC (A)
PM127SH-1R2N	1.2	100	0.007	9.8
PM127SH-2R4N	2.4	100	0.012	8.0
PM127SH-3R5N	3.5	100	0.014	7.5
PM127SH-4R7N	4.7	100	0.016	6.8
PM127SH-6R1N	6.1	100	0.018	6.6
PM127SH-7R6N	7.6	100	0.020	5.9
±20%				
PM127SH-100M	10	1.0	0.022	5.4
PM127SH-120M	12	1.0	0.024	4.9
PM127SH-150M	15	1.0	0.027	4.5
PM127SH-180M	18	1.0	0.039	3.9
PM127SH-220M	22	1.0	0.043	3.6
PM127SH-270M	27	1.0	0.046	3.4
PM127SH-330M	33	1.0	0.065	3.0
PM127SH-390M	39	1.0	0.073	2.7
PM127SH-470M	47	1.0	0.10	2.5



Dim: mm
Tol: -/+0.3

Pad Layout

J.W. Miller
M A G N E T I C S

306 E. Alondra Blvd., Gardena, CA 90247-1059 • (310) 515-1720 • FAX (310) 515-1962

www.jwmiller.com