

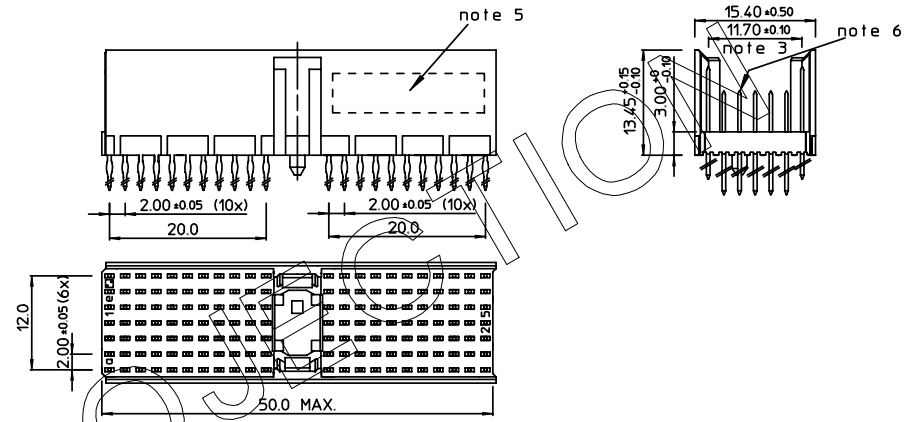
GEN. ST.	01	02	03	04	05	06	07	08	0D	50	60	70	80	90																	
INT. ST.	10	11	12	13	14	18	20	31	32	33	34	38	39	40	42	43	44	45	46	48	56	70	72	73	75	76	81	82	83	84	88

REV.	DATE	DESCRIPTION	BY	C'K'D'
A	2001-09-14	CONVERSION REVISION 02	KN	
B	2002-05-28	EC B20086	MF	
C	2005-10-17	105-0196	ALEX B	BKP
D	2006-07-10	106-0097	VIVEK	BKP

LOADING PATTERN MATING SIDE

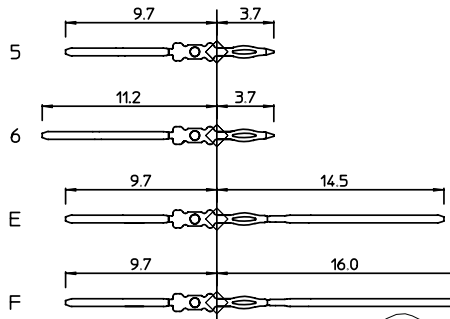
f	6	6	6	6	0	0	0	6	6	6	6	X										6	6	6	6	0	0	0	6	6	6	6
e	5	5	5	5	0	0	0	5	5	5	5											E	E	E	E	0	0	0	E	E	E	E
d	5	5	5	5	0	0	0	5	5	5	5											E	E	E	E	0	0	0	E	E	E	E
c	5	5	5	5	0	0	0	5	5	5	5											F	F	F	F	0	0	0	F	F	F	F
b	5	5	5	5	0	0	0	5	5	5	5											E	E	E	E	0	0	0	E	E	E	E
a	5	5	5	5	0	0	0	5	5	5	5											E	E	E	E	0	0	0	E	E	E	E
Z	6	6	6	6	0	0	0	6	6	6	6	6	6	6	6	0	0	0	6	6	6	6										
POS	0	1	5	0	5	0	5	0	5	0	5											2	5									

LOADED CONNECTOR ASSEMBLY (FOR EXAMPLE)

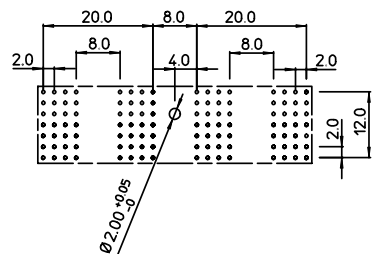


SHEET NR. : 594

CONTACT OVERVIEW



LAY-OUT P.C.B.-HOLE



SEATING PLANE FOR CONNECTOR

HM2P07PNU1G5 LEAD FREE INDICATOR : LF = LEAD FREE (DIGIT 15 & 16)
 PLATING CODE (DIGIT 13 AND 14) (REF DWG No. BS,C ,201844,003)

NOTES:

- THIS PRODUCT IS CSA APPROVED.
- THIS PRODUCT IS UL RECOGNIZED.
- MEASURED AT THE BOTTOM.
- MATERIAL CONTACT: PHOSPHORBRONZE
HOUSING: CREAM WHITE GLASSFILLED POLYESTER UL-94V0
- CONNECTOR PRINTED WITH P/N AND DATE CODE.
- FOR ACTUAL CONTACT LOADINGS, SEE LOADING PATTERN MATING SIDE.
- SHAPE OF CONNECTOR HOUSING CAN ALTER DEPENDING ON PRODUCTION LOCATION.
- THE PRODUCT (LF) MEETS EUROPEAN UNION DIRECTIVES AND OTHER COUNTRY REGULATIONS AS DESCRIBED IN GS-22-008
- FOR RECOMMENDED PTH DIMENSIONS REFER DRAWING : BS.A ,201572,001

1DEC ±0,2 2DEC ±0,1 ANGLES ±1°	APPR.	DATE	SIGN.	LOADING PATTERN OVERVIEW
	DRAFT	1998-03-23	M.Fret	CAT. No. HM2P07PNU1G5----
WE RESERVE THE RIGHT TO CHANGE DIMENSIONS OR REQUIREMENTS WITHOUT PRIOR NOTICE.	CHECKED			SCALE
	PROD. MGR.			
	PR. ENG. MGR.			www.fciconnect.com
PR. MGT. MGR.				
ALL DIMENSIONS IN MM	REFERENCES			BS,C ,201843,491 DRAWING No. CUSTOMER DRAWING REVISION

THIS IS OUR EXCLUSIVE PROPERTY. IT IS NOT TO BE COPIED, REPRINTED OR DISCLOSED TO A THIRD PARTY, NOR USED FOR MANUFACTURING WITHOUT OUR WRITTEN CONSENT, AND HAS TO BE RETURNED TO US IN CASE OF NO USAGE
 DIT IS ONZE EIGENDOM EN MAG NOCH NAGENAAKT, HERDRUKT, OVERGEHAANT AAN DERDEN, NOCH VOOR FABRIKATIE GEBRUIKT WORDEN, ZONDER ONZE SCHRIFTELIJKE TOELATING. BIJ NIET GEBRUIK IS TERUGZENDING VERPLICHT.