

General Specifications

Motor Protection:

Auto Restart/Polarity Protection

Insulation Resistance:

10M Ω or over with a DC500V Megger

Dielectric Withstand Voltage:

AC 700V 1s or AC 500V 1min

Allowable Ambient Temperature Range:

-10 $^{\circ}$ C ~ +70 $^{\circ}$ C (Operating)

-40 $^{\circ}$ C ~ +70 $^{\circ}$ C (Storage)

(non-condensing environment)

Expected Life

Failure Rate: 10%

60 $^{\circ}$ C 40,000 Hours (AA/EA)

Material

Casing : Plastic (Black) UL94V-0

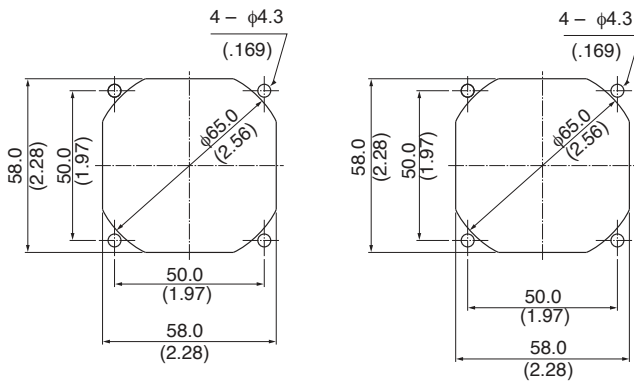
Impeller : Plastic (Black) UL94V-0

Bearing : Ball Bearing

Lead Wire : UL3385, AWG26, +Red, -Black

Panel Cut-Outs

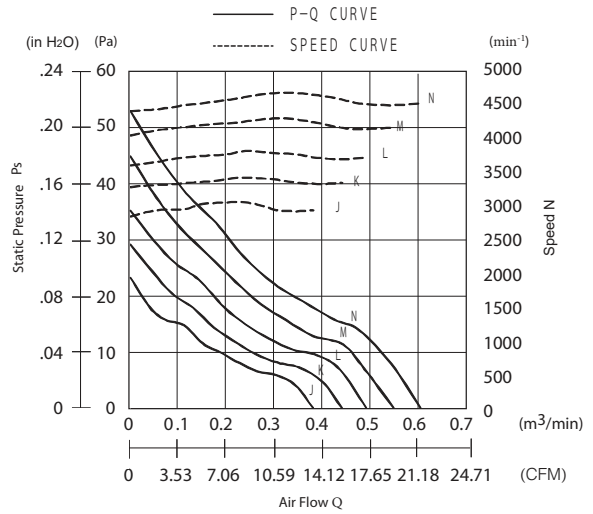
Units: mm (inch)



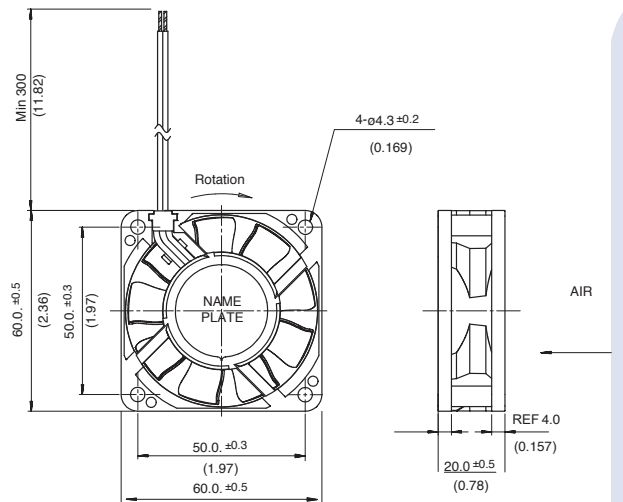
INLET SIDE

OUTLET SIDE

Characteristic Curves



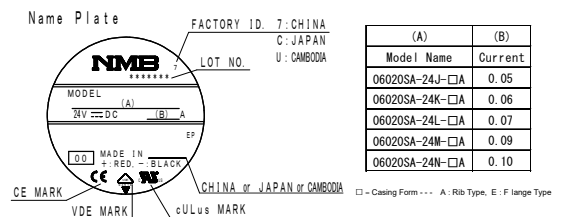
Outline



***Outline is (Rib) Type

Specifications

↖ = Casing Form --- A: Rib Type, E: Flange Type



MODEL	Rated Voltage	Operating Voltage	Current	Input Power	Speed	Max. Air Flow		Max. Static Pressure		Noise	Mass
	(V)	(V)	(A)*1	(W)*1	(min ⁻¹)*1	(CFM)	(m ³ /min)	(in H ₂ O)	(Pa)	(dB)*1	(g)
06020SA-24J-↖A-00	24	9.0 ~ 27.6	0.03	0.72	2800	12.71	0.36	0.09	21.2	21.5	56
06020SA-24K-↖A-00	24	9.0 ~ 27.6	0.04	0.96	3200	14.48	0.41	0.11	27.6	23.5	56
06020SA-24L-↖A-00	24	9.0 ~ 27.6	0.05	1.20	3600	16.60	0.47	0.14	34.4	26.0	56
06020SA-24M-↖A-00	24	9.0 ~ 27.6	0.06	1.44	4000	18.36	0.52	0.16	40.0	28.5	56
06020SA-24N-↖A-00	24	9.0 ~ 27.6	0.07	1.68	4400	20.48	0.58	0.20	49.1	30.5	56

*1: Average Values in Free Air

Note: PWM/Locked Rotor/Tach Available