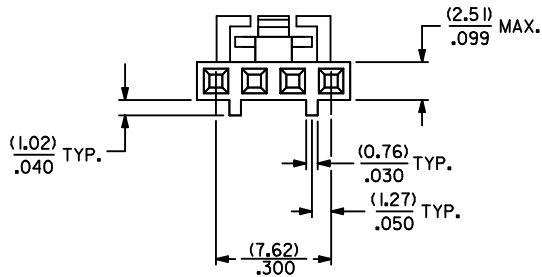
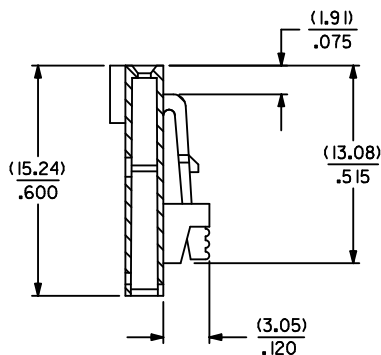
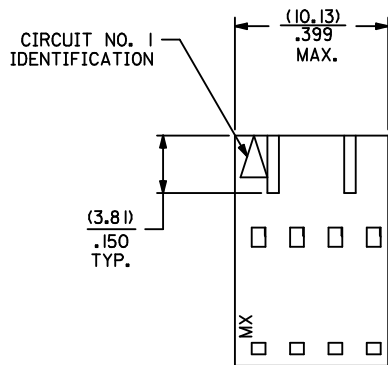


OPTION "G"

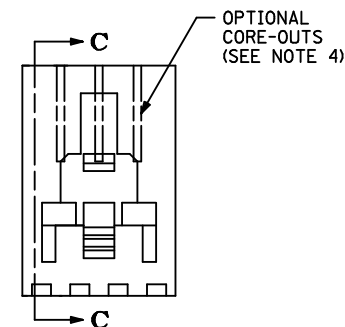


NOTES:

1. MATERIAL GLASS FILLED POLYESTER; UL94V-0, COLOR: BLACK.
2. HOUSING MAY BE USED WITH TERMINAL NUMBERS 70058, 71851, AND 70021.
3. REFER TO CHART FOR AVAILABLE CIRCUIT SIZES.
4. REFER TO MOLEX PRODUCT SPECIFICATION(S): PS-70400, PS-70058, PS-71851, PS-70021, AND MOLEX APPLICATION SPECIFICATION SDES-70400.
5. PARTS MAY OR MAY NOT BE SUPPLIED WITH EXTERIOR CORE-OUT CONFIGURATION. REFER TO MOLEX DRAWING NUMBER SD-70066-**** FOR OPTIONAL HOUSING DETAILS.
6. PACKAGE PER PK-70066-100.



SECTION C-C



COLOR	EDP. NO.	ENG. NO.
GREEN	50-57-8504	70066-0403
NATURAL (WHITE)	50-57-8604	70066-0404

REV	DESCRIPTION	QUALITY SYMBOLS
B	ADD PS-70400 EC NO: UCP2012-1540 DRWN:DMORGAN 2011/11/14 CHKD:MBARRA 2011/11/14 APPR:SMILLER 2012/02/13	

GENERAL TOLERANCES (UNLESS SPECIFIED)	
mm	INCH
4 PLACES ± .010	± .0004
3 PLACES ± .015	± .0005
2 PLACES ± 0.25	± .010
1 PLACE ± 0.38	± .015
ANGULAR ± 1/2°	

DRAFT WHERE APPLICABLE MUST REMAIN WITHIN DIMENSIONS

DIMENSION STYLE	
MM/IN	DATE
DRAWN BY DMORGAN	2011/11/14
CHECKED BY MJS	1998/03/03
APPROVED BY SMILLER	2012/02/13

SEE CHART

SCALE	DESIGN UNITS	THIRD ANGLE PROJECTION
4:1	INCH	

TITLE: SL "G" OPTION 4CKT COLORED (2.54/.100) GRID STACKABLE HOUSING

MOLEX MOLEX INCORPORATED

DOCUMENT NO. SD-70066-0403-0404

SHEET NO. 1 OF 1

THIS DRAWING CONTAINS INFORMATION THAT IS PROPRIETARY TO MOLEX INCORPORATED AND SHOULD NOT BE USED WITHOUT WRITTEN PERMISSION