

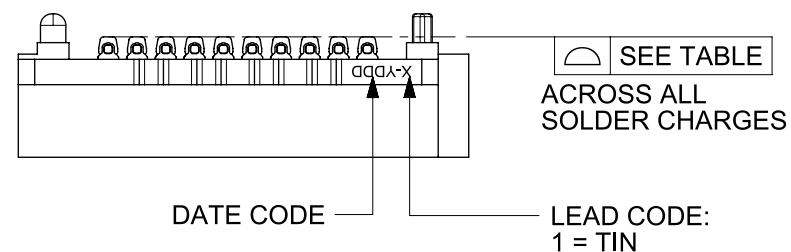
10 ROW
10 POSITION
SHOWN

SEE SHEET 3 FOR
8 ROW GEOMETRY &
SEE SHEET 4 FOR
6 ROW GEOMETRY

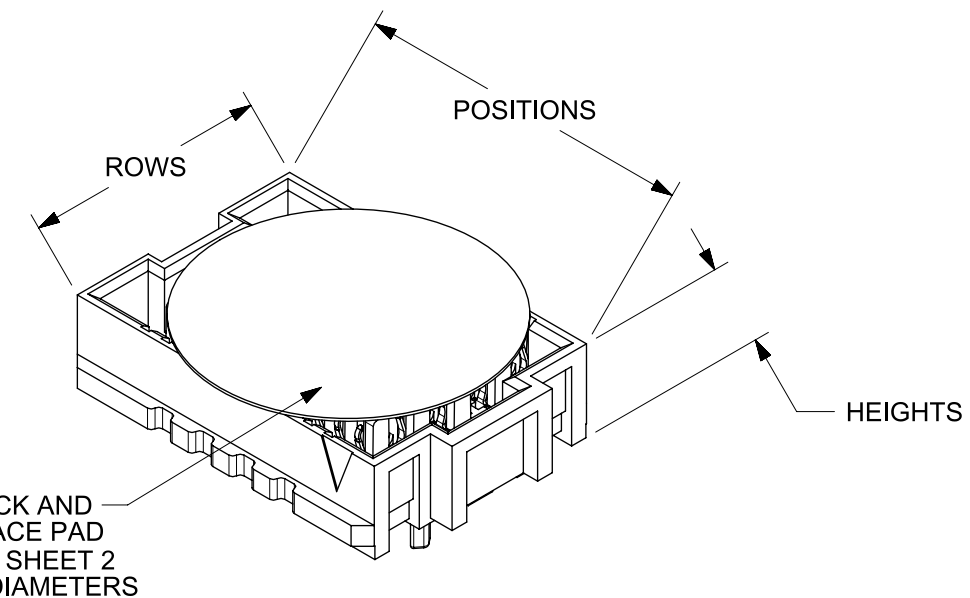
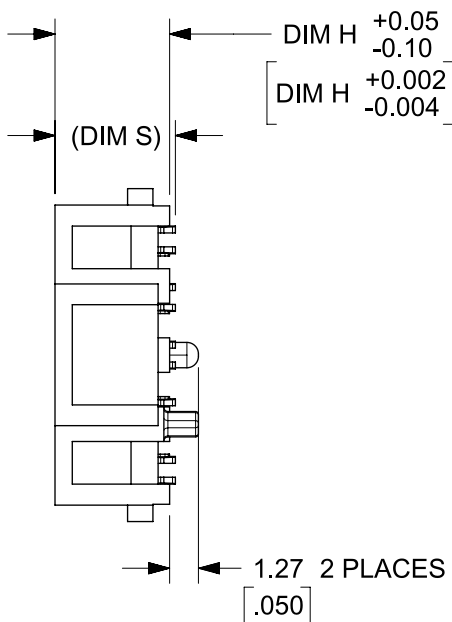
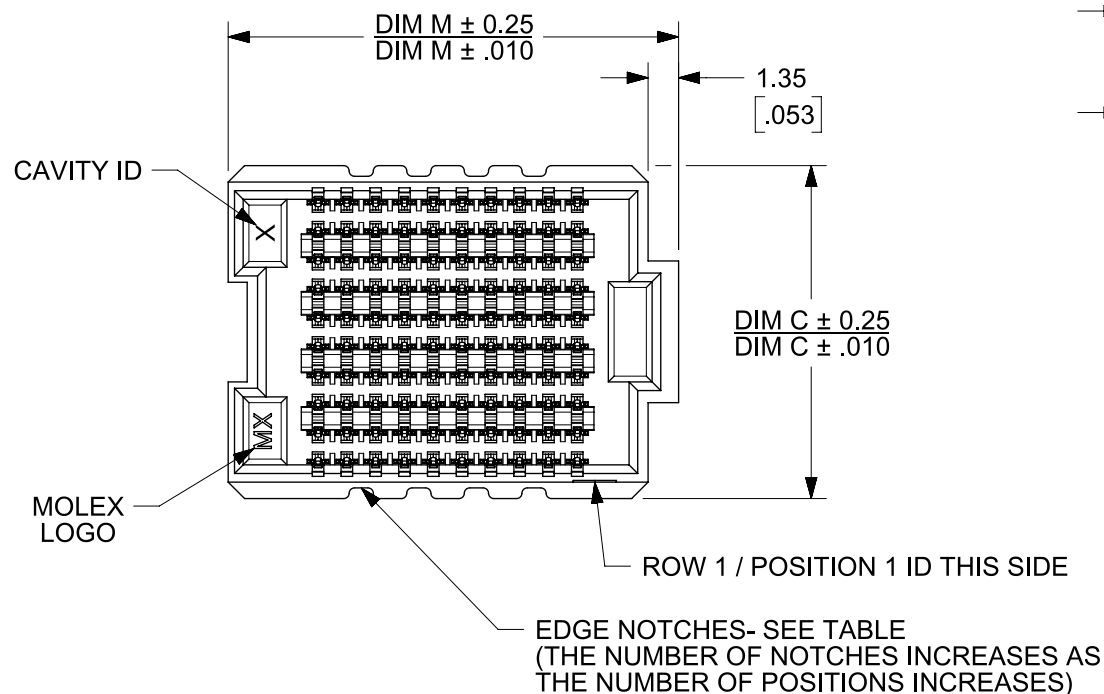
NOTES:

1. MATERIAL: HOUSING: GLASS FILLED LCP (LIQUID CRYSTAL POLYMER), UL94V-0, BLACK
CONTACTS: COPPER ALLOY
SOLDER CHARGE: 95.5% TIN, 3.8% SILVER, 0.7% COPPER
2. FINISH: SELECT GOLD IN CONTACT AREA, 30 MICROINCH MINIMUM
SELECT TIN ON TAIL, 50 MICROINCH MINIMUM
OVERALL NICKEL UNDERPLATE
3. PRODUCT SPECIFICATION: PS-45970-001
4. PACKAGING SPECIFICATION: PK-45971-002 (TAPE AND REEL)
5. MATES WITH SEARAY PLUG ASSEMBLY SERIES 45970
6. APPLICATION SPECIFICATION: AS-45970-001
7. COSMETIC SPECIFICATION: PS-45499-002 CLASS B
8. PART STATUS: CONTACT MOLEX

POSITIONS	TOTAL NUMBER OF EDGE NOTCHES	
10	8	0.15/.006
15	14	
20	18	
25	24	
30	28	
35	34	0.23/.009
40	38	
45	44	
50	48	

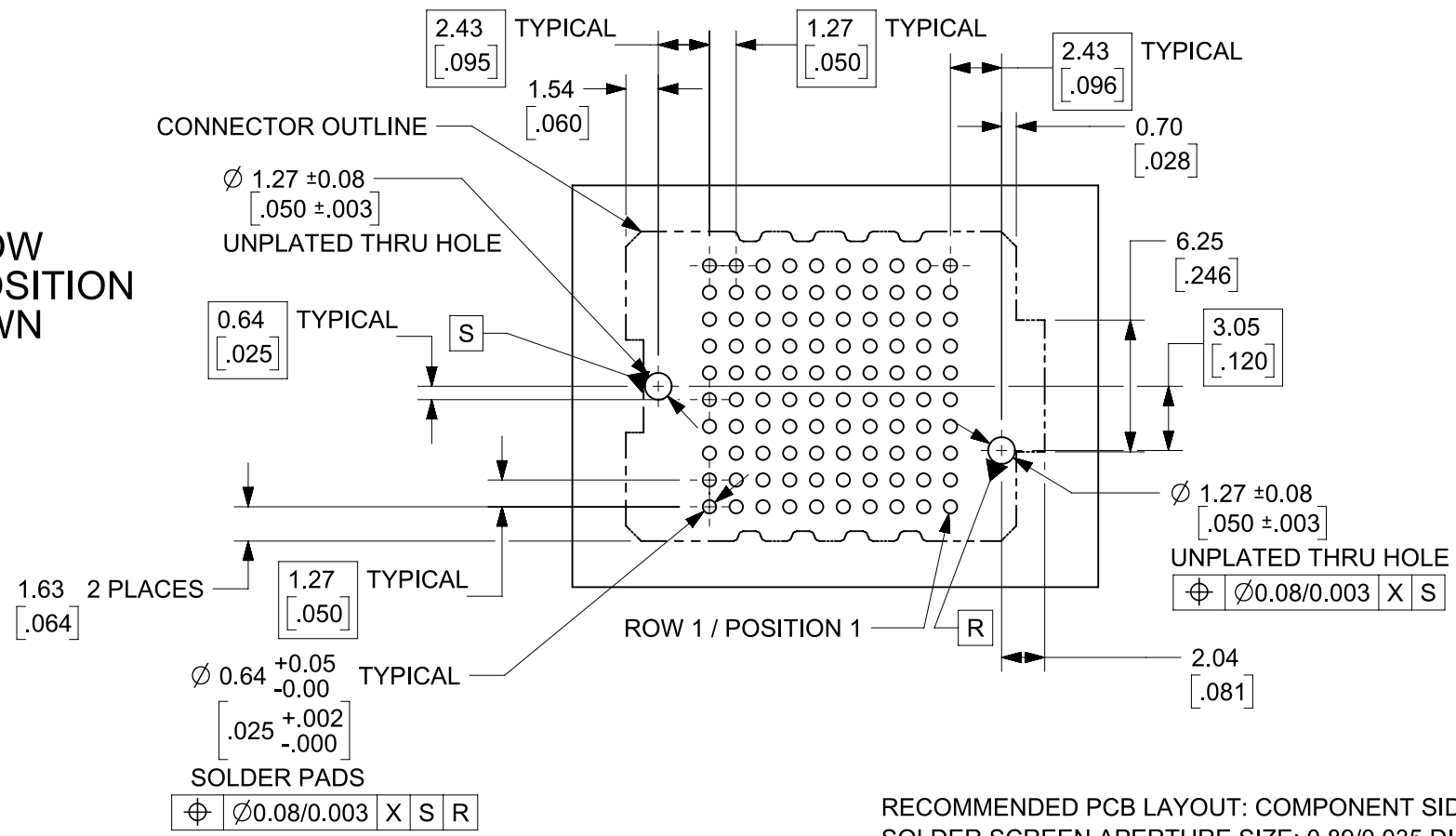


NOTE: THESE CODES MAY BE LOCATED ON EITHER SIDE OF THE HOUSING



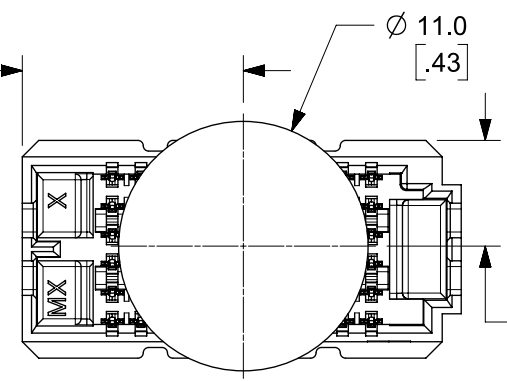
THIS DRAWING CONTAINS INFORMATION THAT IS PROPRIETARY TO MOLEX ELECTRONIC TECHNOLOGIES, LLC AND SHOULD NOT BE USED WITHOUT WRITTEN PERMISSION									
DIMENSION UNITS	SCALE	CURRENT REV DESC:							
MM/IN	3:1								
GENERAL TOLERANCES (UNLESS SPECIFIED)		EC NO: 712067			PRODUCT CUSTOMER DRAWING				
ANGULAR TOL ± °		DRWN: CLHOE01			DOCUMENT NUMBER				
4 PLACES ±		CHK'D: HCGOH			DOC TYPE DOC PART REVISION				
3 PLACES ±		APPR: SHONG			SD-45971-001 PSD 001 AA				
2 PLACES ± 0.25		INITIAL REVISION:			MATERIAL NUMBER CUSTOMER SHEET NUMBER				
1 PLACE ± 0.38		DRWN: TGREGORI			SEE TABLE SHEET NO 5 GENERAL MARKET 1 OF 5				
0 PLACES ±		APPR: JCOMERCI							
DRAFT WHERE APPLICABLE MUST REMAIN WITHIN DIMENSIONS		THIRD ANGLE PROJECTION		DRAWING SERIES					
		B-SIZE		45971					

10 ROW
10 POSITION
SHOWN



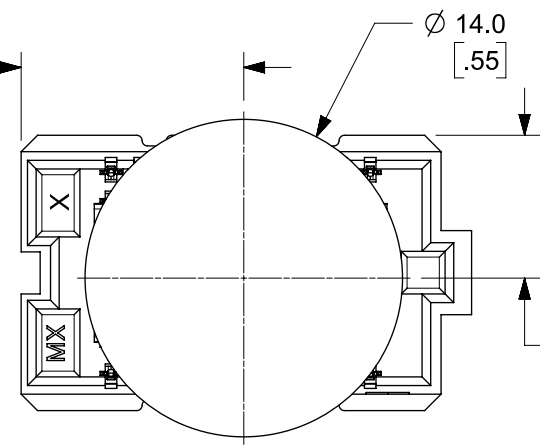
RECOMMENDED PCB LAYOUT: COMPONENT SIDE
SOLDER SCREEN APERTURE SIZE: 0.89/0.035 DIAMETER
PCB THICKNESS: NA

DIM M/2 ±1.52
DIM M/2 ±.060
PAD
LOCATION



6 ROW OPTION

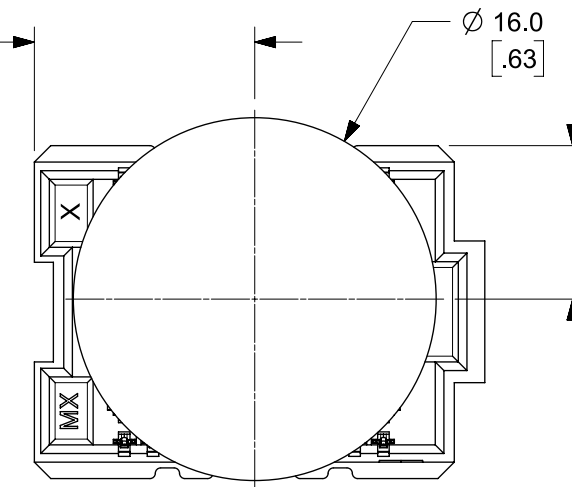
DIM M/2 ±1.52
DIM M/2 ±.060
PAD
LOCATION



8 ROW OPTION

DIM C/2 ±1.52
DIM C/2 ±0.60
PAD
LOCATION

DIM M/2 ±1.52
DIM M/2 ±0.60
PAD
LOCATION

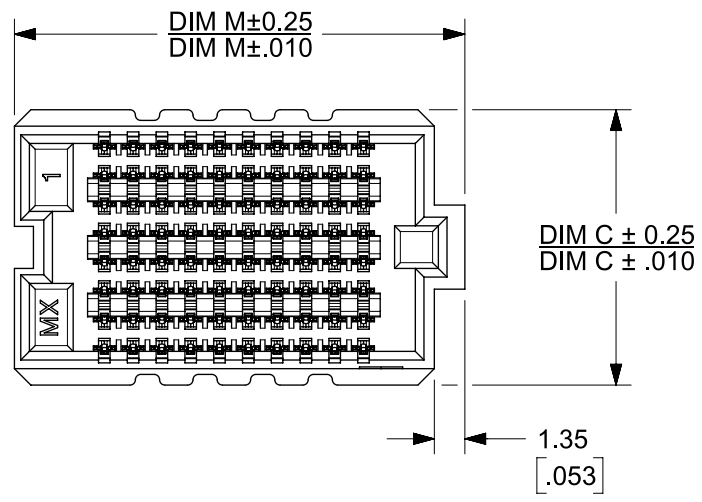


10 ROW OPTION

DIM C/2 ±1.52
DIM C/2 ±.060
PAD
LOCATION

PICK AND PLACE
PAD DIAMETERS
10 POSITION VERSIONS SHOWN

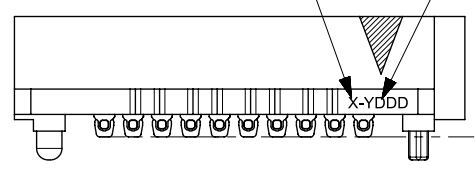
THIS DRAWING CONTAINS INFORMATION THAT IS PROPRIETARY TO MOLEX ELECTRONIC TECHNOLOGIES, LLC AND SHOULD NOT BE USED WITHOUT WRITTEN PERMISSION									
DIMENSION UNITS MM/IN		SCALE 3:1		CURRENT REV DESC:					
GENERAL TOLERANCES (UNLESS SPECIFIED)				EC NO: 712067		2022/01/25		molex	
ANGULAR TOL ± °				DRWN: CLHOE01		2022/06/27			
4 PLACES ±				CHK'D: HCGOH		2022/07/14		SEARAY RECEPTACLE ASSEMBLY 1.27/.050 CENTERS	
3 PLACES ±				APPR: SHONG				PRODUCT CUSTOMER DRAWING	
2 PLACES ± 0.25				INITIAL REVISION:				DOCUMENT NUMBER	
1 PLACE ± 0.38				DRWN: TGREGORI		2005/05/17		SD-45971-001	
0 PLACES ±				APPR: JCOMERCI		2010/03/05		DOC TYPE DOC PART REVISION PSD 001 AA	
DRAFT WHERE APPLICABLE MUST REMAIN WITHIN DIMENSIONS		THIRD ANGLE PROJECTION		DRAWING		SERIES		MATERIAL NUMBER CUSTOMER SHEET NUMBER	
		B-SIZE		45971		SEE TABLE SHEET NO 5		GENERAL MARKET 2 OF 5	



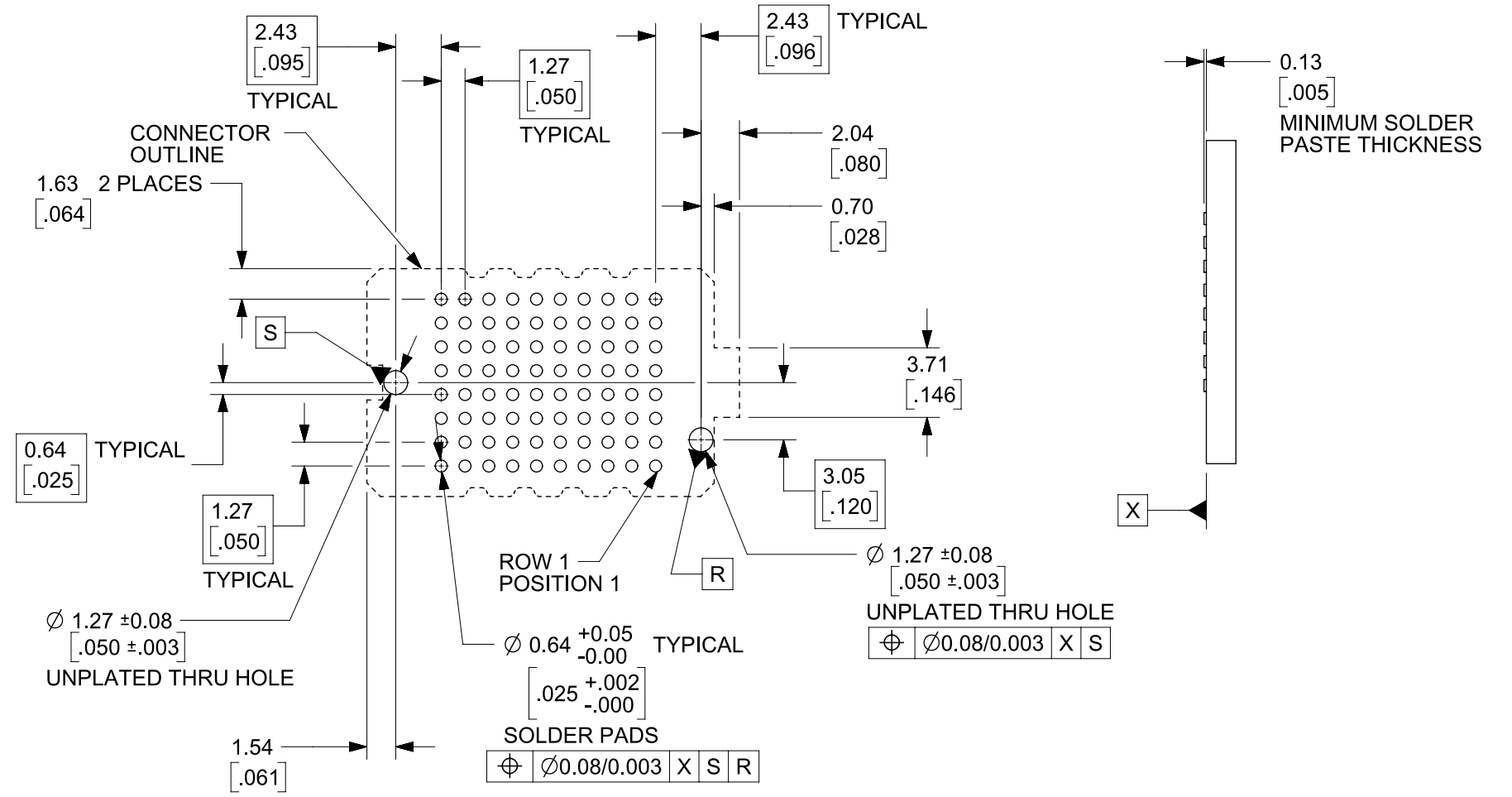
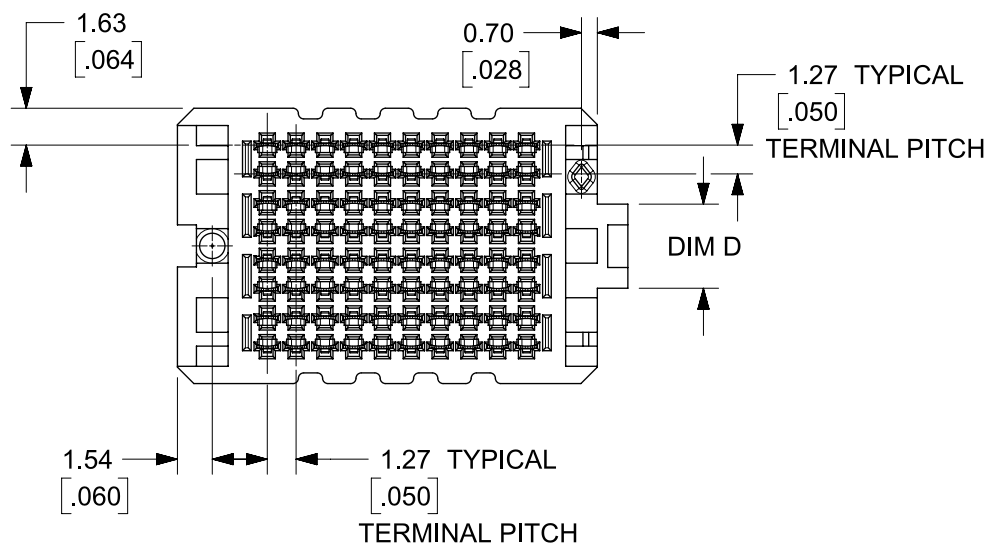
NOTE: THESE CODES MAY BE LOCATED ON EITHER SIDE OF THE HOUSING

LEAD CODE: 1 = TIN

DATE CODE: X-YDDD

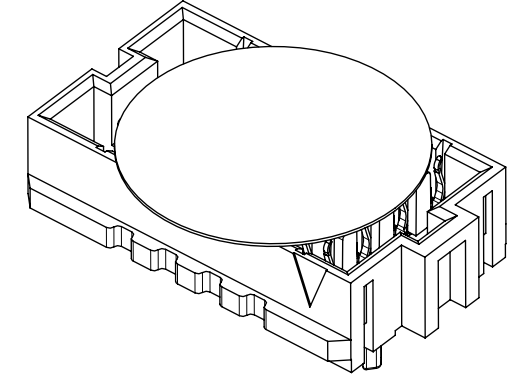


SEE TABLE
ACROSS ALL SOLDER CHARGES



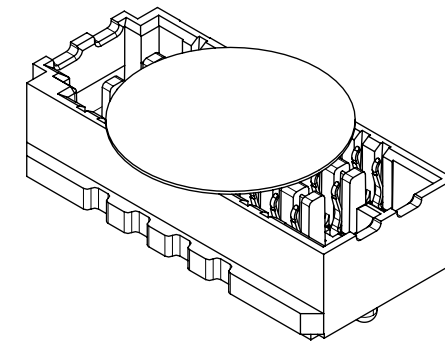
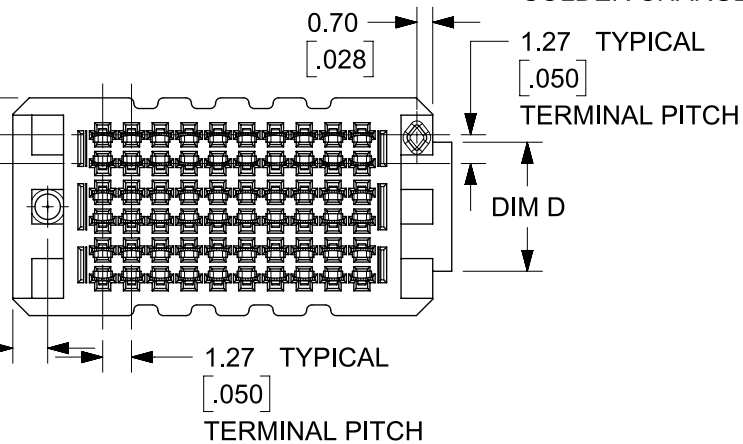
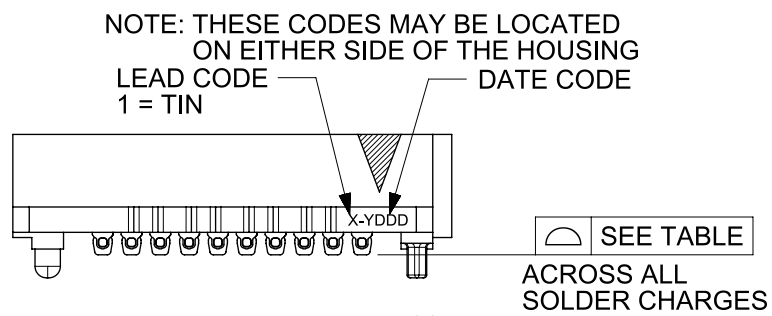
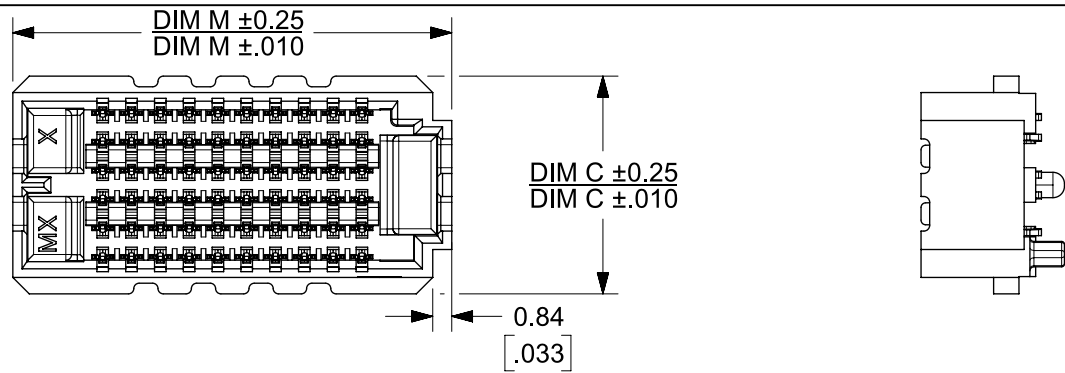
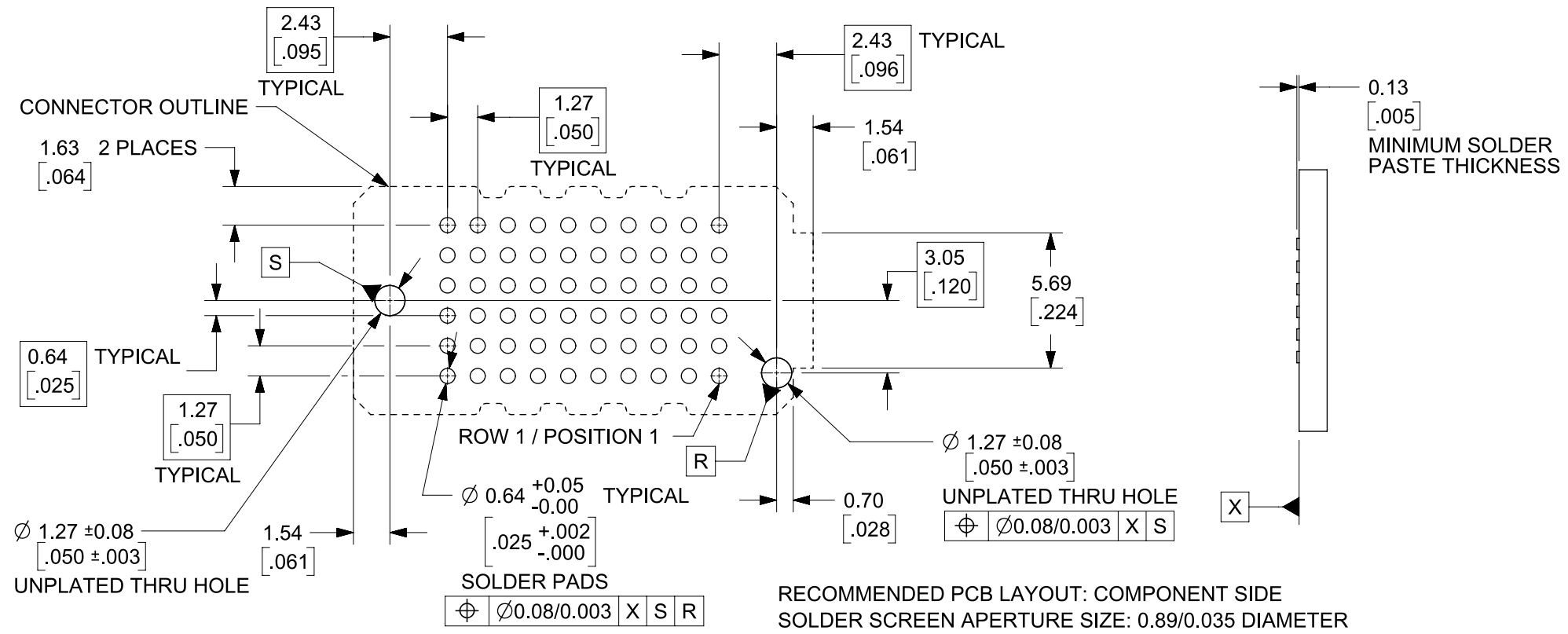
RECOMMENDED PCB LAYOUT: COMPONENT SIDE
SOLDER SCREEN APERTURE SIZE: 0.89/0.035 DIAMETER
PCB THICKNESS: NA

8 ROW 10 POSITION SHOWN



THIS DRAWING CONTAINS INFORMATION THAT IS PROPRIETARY TO MOLEX ELECTRONIC TECHNOLOGIES, LLC AND SHOULD NOT BE USED WITHOUT WRITTEN PERMISSION									
DIMENSION UNITS MM/IN		SCALE 3:1		CURRENT REV DESC:					
GENERAL TOLERANCES (UNLESS SPECIFIED)				molex SEARAY RECEPTACLE ASSEMBLY 1.27/.050 CENTERS PRODUCT CUSTOMER DRAWING					
ANGULAR TOL \pm °									
4 PLACES \pm									
3 PLACES \pm									
2 PLACES ± 0.25									
1 PLACE ± 0.38				EC NO: 712067 DRWN: CLHOE01 CHK'D: HCGOH APPR: SHONG INITIAL REVISION: DRWN: TREGORI APPR: JCOMERCI					
0 PLACES \pm				2022/01/25		2022/06/27		2022/07/14	
DRAFT WHERE APPLICABLE MUST REMAIN WITHIN DIMENSIONS				THIRD ANGLE PROJECTION		DRAWING		SERIES	
				B-SIZE		45971		MATERIAL NUMBER	
				SEE TABLE SHEET NO 5		CUSTOMER		SHEET NUMBER	
						GENERAL MARKET		3 OF 5	

6 ROW
10 POSITION
SHOWN

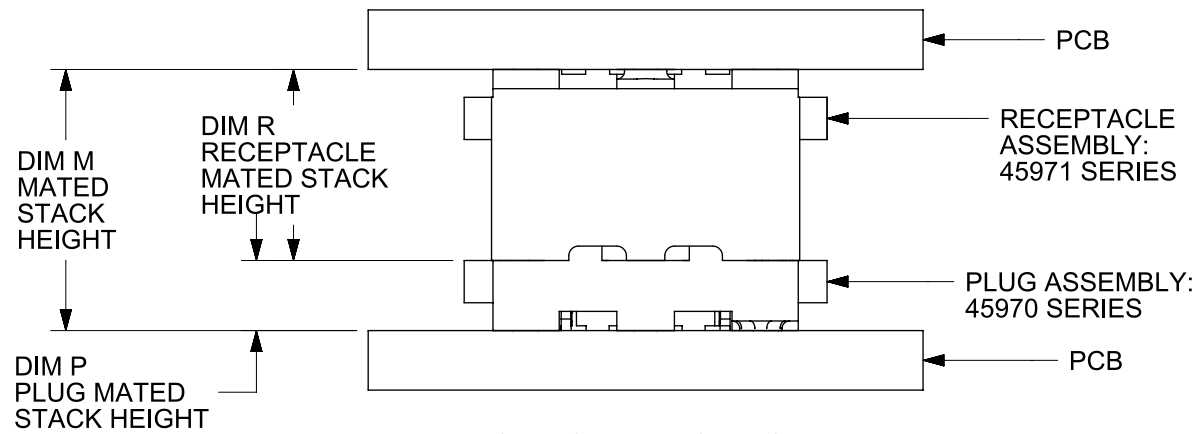


6 ROW
10 POSITION
SHOWN

THIS DRAWING CONTAINS INFORMATION THAT IS PROPRIETARY TO MOLEX ELECTRONIC TECHNOLOGIES, LLC AND SHOULD NOT BE USED WITHOUT WRITTEN PERMISSION															
DIMENSION UNITS MM/IN		SCALE 3:1		CURRENT REV DESC:											
GENERAL TOLERANCES (UNLESS SPECIFIED)				<p>molex</p> <p>SEARAY RECEPTACLE ASSEMBLY 1.27/.050 CENTERS</p> <p>PRODUCT CUSTOMER DRAWING</p>											
ANGULAR TOL ± °															
4 PLACES ±		3 PLACES ±								2 PLACES ± 0.25		1 PLACE ± 0.38		0 PLACES ±	
INITIAL REVISION:										2022/01/25		2022/06/27		2022/07/14	
DRWN: CLHOE01										CHK'D: HCGOH		APPR: SHONG		INITIAL REVISION:	
DRWN: TGREGORI				2005/05/17		2010/03/05		2010/03/05							
APPR: JCOMERCI				MATERIAL NUMBER		CUSTOMER		SHEET NUMBER							
DRAFT WHERE APPLICABLE MUST REMAIN WITHIN DIMENSIONS				THIRD ANGLE PROJECTION		DRAWING		SERIES							
DOCUMENT STATUS				P1		RELEASE DATE		2022/07/14 16:45:44							
SD-45971-001				PSD		001		AA							
SEE TABLE SHEET NO 5				GENERAL MARKET		4 OF 5									

ROWS: 6 DIMENSION C = 9.60/.378 DIMENSION D = 5.69/.224						
DIM R: (REF)		5.0 mm	6.0 mm	6.5 mm	7.5 mm	8.0 mm
DIM H:		5.05/.199	6.05/.238	6.55/.258	7.54/.297	8.05/.317
DIM S:		5.31/.209	6.30/.248	6.81/.268	7.80/.307	8.31/.327
POSITION	DIM M	MATERIAL NO	MATERIAL NO	MATERIAL NO	MATERIAL NO	MATERIAL NO
10	19.35/0.762					
20	32.05/1.262					
30	44.75/1.762	45971-3165				
40	57.45/2.262					
50	70.15/2.762	45971-5165				
15	25.70/1.012					
25	38.40/1.512					
35	51.10/2.012					
45	63.80/2.512					

ROWS: 8 DIMENSION C = 12.14/.478 DIMENSION D = 3.71/.146						
DIM R: (REF)		5.0 mm	6.0 mm	6.5 mm	7.5 mm	8.0 mm
DIM H:		5.05/.199	6.05/.238	6.55/.258	7.54/.297	8.05/.317
DIM S:		5.31/.209	6.30/.248	6.81/.268	7.80/.307	8.31/.327
POSITION	DIM M	MATERIAL NO	MATERIAL NO	MATERIAL NO	MATERIAL NO	MATERIAL NO
10	19.88/0.784					
20	32.58/1.284	45971-2185		45971-2385		
30	45.28/1.784	45971-3185		45971-3385		
40	57.98/2.284	45971-4185		45971-4385		
50	70.68/2.784	45971-5185				
15	26.23/1.034					
25	38.93/1.534					
35	51.63/2.034					
45	64.33/2.534					



STACK HEIGHTS
GIVEN IN MILLIMETERS (MM) FOR REFERENCE ONLY

ROWS: 10 DIMENSION C = 14.68/.578 DIMENSION D = 6.25/.246						
DIM R: (REF)		5.0 mm	6.0 mm	6.5 mm	7.5 mm	8.0 mm
DIM H:		5.05/.199	6.05/.238	6.55/.258	7.54/.297	8.05/.317
DIM S:		5.31/.209	6.30/.248	6.81/.268	7.80/.307	8.31/.327
POSITION	DIM M	MATERIAL NO	MATERIAL NO	MATERIAL NO	MATERIAL NO	MATERIAL NO
10	19.88/0.784	45971-1115	45971-1215	45971-1315	45971-1415	45971-1515
20	32.58/1.284	45971-2115	45971-2215	45971-2315	45971-2415	45971-2515
30	45.28/1.784	45971-3115	45971-3215	45971-3315	45971-3415	45971-3515
40	57.98/2.284	45971-4115	45971-4215	45971-4315	45971-4415	45971-4515
50	70.68/2.784	45971-5115	45971-5215	45971-5315	45971-5415	45971-5515
15	26.23/1.034	45971-6115	45971-6215	45971-6315	45971-6415	45971-6515
25	38.93/1.534	45971-7115	45971-7215	45971-7315	45971-7415	45971-7515
35	51.63/2.034	45971-8115	45971-8215	45971-8315	45971-8415	45971-8515
45	64.33/2.534	45971-9115	45971-9215	45971-9315	45971-9415	45971-9515

MATING STACK HEIGHTS (DIMENSION R)
GIVEN IN MILLIMETERS (mm) FOR REFERENCE ONLY

		DIM R RECEPTACLE STACK HEIGHT									
		5.0		6.0		6.5		7.5		8.0	
		DIM M FULLY MATED	DIM M MAX	DIM M FULLY MATED	DIM M MAX	DIM M FULLY MATED	DIM M MAX	DIM M FULLY MATED	DIM M MAX	DIM M FULLY MATED	DIM M MAX
DIM P PLUG STACK HEIGHT	2.0	7.00	7.74	8.00	8.74	8.50	9.24	9.50	10.24	10.00	10.74
	2.5	7.50	8.24	8.50	9.24	9.00	9.74	10.00	10.74	10.50	11.24
	3.0	8.00	8.74	9.00	9.74	9.50	10.24	10.50	11.24	11.00	11.74
	3.5	8.50	9.24	9.50	10.24	10.00	10.74	11.00	11.74	11.50	12.24
	4.5	9.50	10.24	10.50	11.24	11.00	11.74	12.00	12.74	12.50	13.24
	5.0	10.00	10.74	11.00	11.74	11.50	12.24	12.50	13.24	13.00	13.74
	7.0	12.00	12.74	13.00	13.74	13.50	14.24	14.50	15.24	15.00	15.74
9.0	14.00	14.74	15.00	15.74	15.50	16.24	16.50	17.24	17.00	17.74	

MATED STACK HEIGHTS
GIVEN IN MILLIMETERS (mm) FOR REFERENCE ONLY

THIS DRAWING CONTAINS INFORMATION THAT IS PROPRIETARY TO MOLEX ELECTRONIC TECHNOLOGIES, LLC AND SHOULD NOT BE USED WITHOUT WRITTEN PERMISSION											
DIMENSION UNITS: MM/IN		SCALE: 3:1		CURRENT REV DESC:							
GENERAL TOLERANCES (UNLESS SPECIFIED)				EC NO: 712067				2022/01/25			
ANGULAR TOL ± °				DRWN: CLH0E01				2022/06/27			
4 PLACES ±				CHK'D: HCGOH				2022/07/14			
3 PLACES ±				APPR: SHONG				PRODUCT CUSTOMER DRAWING			
2 PLACES ± 0.25				INITIAL REVISION:				DOCUMENT NUMBER			
1 PLACE ± 0.38				DRWN: TGREGORI				SD-45971-001			
0 PLACES ±				APPR: JCOMERCI				DOC TYPE: PSD			
DRAFT WHERE APPLICABLE MUST REMAIN WITHIN DIMENSIONS				THIRD ANGLE PROJECTION		DRAWING: B-SIZE		SERIES: 45971		SHEET NUMBER: 5 OF 5	