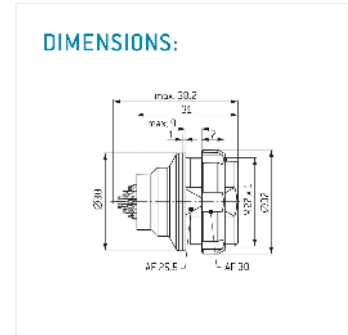
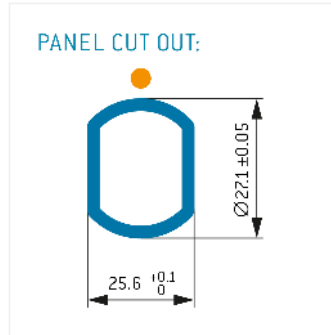
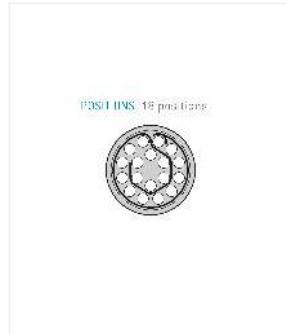
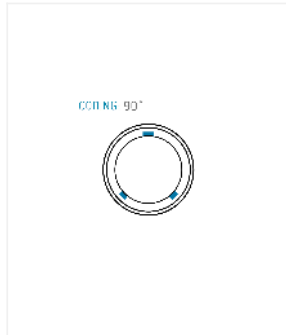


General information

Part number	GXBMF6-P18LJH0-0001
Termination	solder
Size	3,5
Locking principle	push
Coding	fkey medi



Contact insert description

Number of contacts	18
Contact type	sockets
Contact diameter	09mm
Insulator material	peek
Wire cross section	20_awg
Termination	solder
Termination diameter	11mm

Technical information

Max. creepage and air clearance distance	07_mm	
Nominal current single contact	10_a	iec_60512_5_2
Nominal current insert	5_A	vde_0298_4
Test voltage	1_kv_ac	eia_364_20f

safety_text

Mechanical and environmental data

Degree of protection*	ip68
Operating temperature	50_120_c
Mating cycles	5000

mated_unmated

Insulator materials MEDI-SNAP®

pei_peek_size_b

Material and surface treatments

Housing	pei_gray
Color option	gray
Contact	cu_alloy_gold

data_text

safety_text_2
data_text
ul_text
illustrative_text