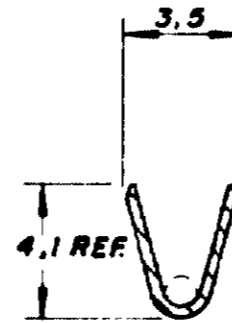
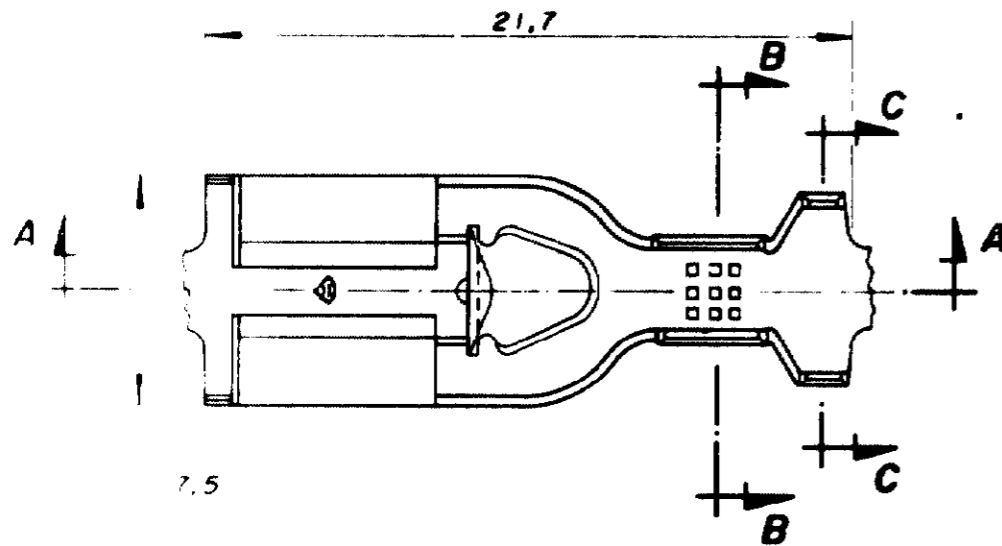


DO NOT SCALE

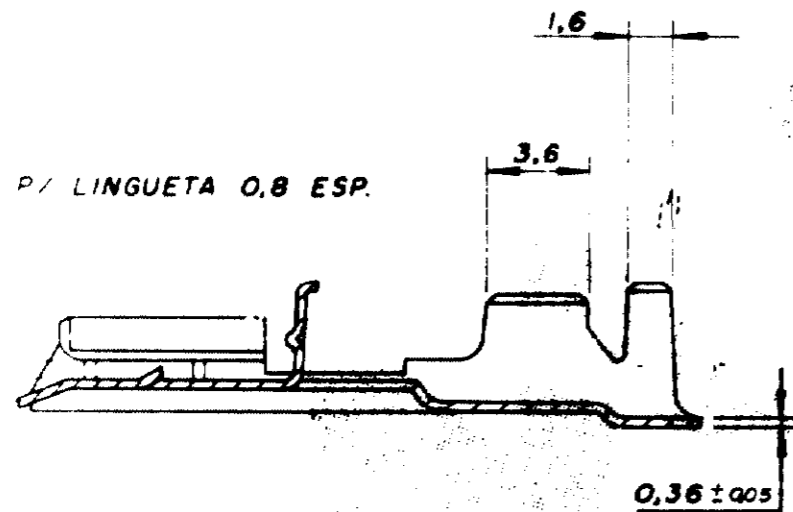
DIMENSIONS IN mm

METRIC

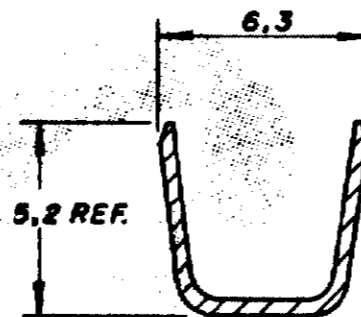
3rd ANGLE PROJECTION



SECÃO "BB"



SECÃO "AA"



SECÃO "CC"

—	PRÉ-ESTANHADO	LATÃO	626 580-2
—	—	LATÃO	626 580-1
OTHER TREATMENT	FINISH	MATERIAL	PART NUMBER
CUSTOMER DWG for REFERENCE ONLY		THIS DRAWING IS UNPUBLISHED RELEASED FOR PUBLICATION	
		© COPYRIGHT IS BY AMP DO BRASIL LTDA S.P. ALL INTERNATIONAL RIGHTS RESERVED AMP PRODUCTS MAY BE COVERED BY U.S. AND FOREIGN PATENTS AND/OR PATENTS PENDING	
TOLERANCES UNLESS OTHERWISE STATED DEC ± 0.4 ANGLES ± 1°		INS. DIA RANGE Ø 2.6 - 3.5 mm	WIRE RANGE 1.0 - 2.5 mm ²
OR VALTER		AMP AMP do BRASIL LTDA. São Paulo, Brasil	
CHK <i>VALTER</i> 02.12.88		DESCRIPTION POSITIVE LOCK RECEPT MKII .250 S.	
✓ B REDESENHADO C/ MODIF.	V.S. T.V. 02.12.88	DWG NO A3 C 626 580	SHEET 1 OF 1
ISS	REVISION RECORD	DR	CHK DATE APP