

REV. Status

REVISION -
08/04/96 TS

REVISION A
UPDATED TO
NEW LABEL
12/06/95 TS

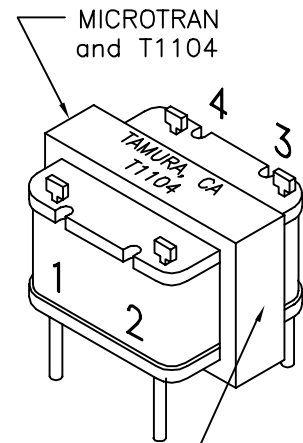
REVISION B
NEW FORMAT
07/17/96 TS

VERY LOW PROFILE DRY COUPLING TELECOMMUNICATON TRANSFORMER WITH SUPERIOR PERMEABILITY

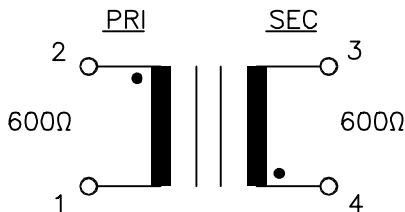


MODEL NUMBER
T1104

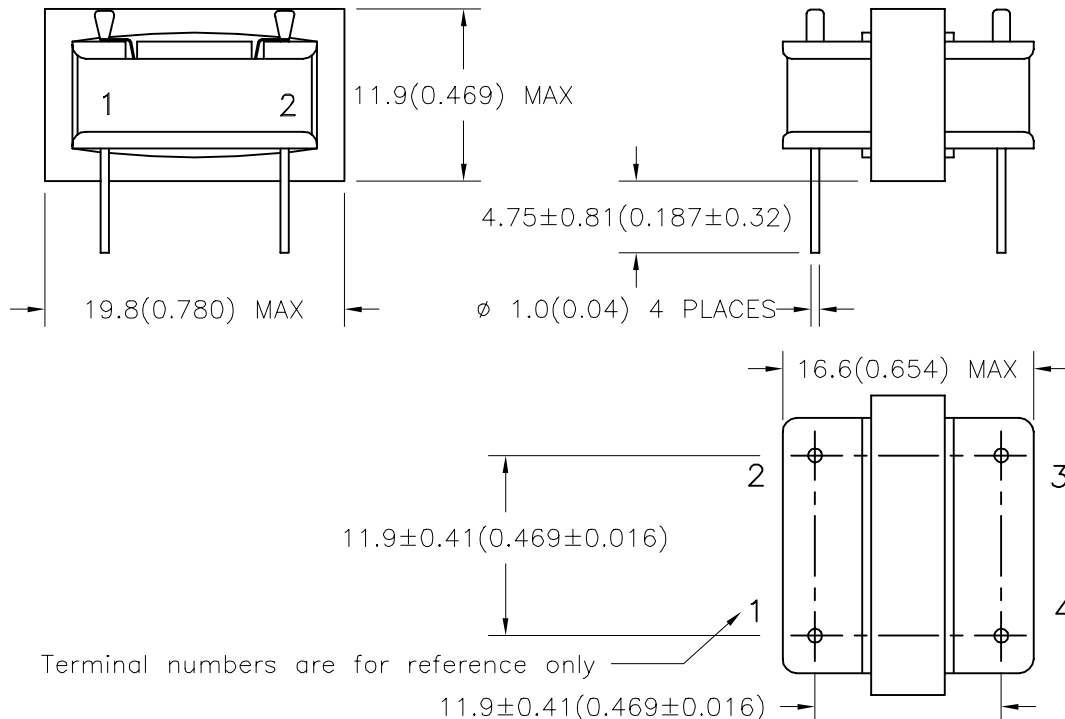
- A. Electrical Specifications (@ 25° C)
- Pri Source Impedance: 600 Ω
 - Sec Load Impedance: 600 Ω
 - Operating Level: -45 dBm to +7 dBm and 0mA DC
 - Insertion Loss: 1.0 dB TYP @ 1 KHz, 0dBm
 - Frequency Response (Relative to 1 KHz): ±0.5 dB @ 300 Hz to 3.5 KHz, 0dBm
 - DC Unbalance: 0mA DC
 - Total Harmonic Distortion: 0.5% MAX
 - Return Loss: 26 dB MIN
 - Longitudinal Balance: 60 dB MIN @ 200 Hz to 1 KHz
40 dB MIN @ 1 KH to 4 KHz
 - DC Resistance: 1-2 = 46 Ω ±15%
3-4 = 63 Ω ±15%
 - Dielectric Strength: 1500 Vrms, 1 minute @ Pri to Sec and Pri to Core
- B. Marking: TAMURA CA, T1104, MICROTRAN, terminal numbers, Date Code and Country of Origin
- C. Safety: CSA-C22.2 No. 950-M89 File No. 138028
UL1459, UL1950 File No. 138028
- D. Schematic Diagram:



Date code and Country of Origin



- E. Mechanical Specifications:
All dimensions shown are nominal unless otherwise specified



Terminal numbers are for reference only

TOLERANCES (mm)
≤ 4 ± 0.2
4 ≤ 20 ± 0.3
20 ≤ 50 ± 0.4

PREPARED BY:

K. Brennan

ENGINEER:

T. Shiozawa

QUALITY CONTROL:

D. Kelley

APPROVED:

D. Kelley

DRAWING CONTROL NO.
P-A1-11365
ACAD\MXFMR\A113651.DWG

REV
B

MODEL DESCRIPTION
TELECOMMUNICATION COUPLING
TRANSFORMER

MODEL SPECIFICATION

T1104

CONTENTS OF THIS DRAWING ARE
SUBJECT TO CHANGE WITHOUT
PRIOR NOTICE

TAMURA CORPORATION OF AMERICA
43352 BUSINESS PARK DRIVE, TEMECULA, CA. 92590-6624
(909) 699-1270 FAX 9096769482

DIM: mm(In) SCL: 2/1 SH: 1 OF 1

PROPRIETARY NOTICE: THIS DRAWING PRINT OR DOCUMENT AND SUBJECT MATTER DISCLOSED HEREIN ARE PROPRIETARY ITEMS TO WHICH TAMURA RETAINS THE EXCLUSIVE RIGHT OF DISSEMINATION, REPRODUCTION, MANUFACTURE AND SALE. THIS DRAWING, PRINT OR DOCUMENT IS SUBMITTED IN CONFIDENCE FOR CONSIDERATION BY THE RECIPIENT ALONE UNLESS PERMISSION FOR FURTHER DISCLOSURE IS EXPRESSLY GRANTED IN WRITING.