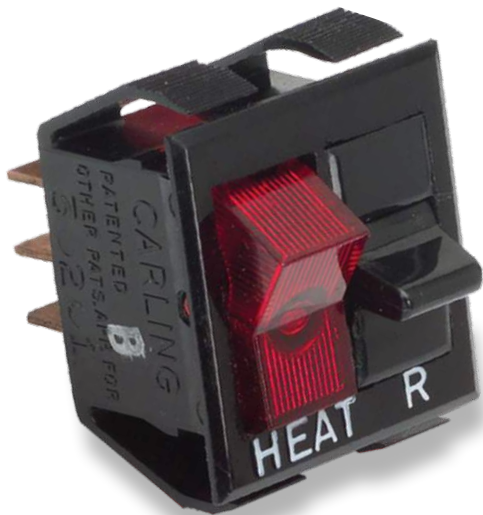


# TTG-Series

Rocker Switches

**PRODUCT WEBPAGE**

*request sample, configure part*



The TTG-Series Mid-Sized Tippet snap-in rocker switches consist of two single pole illuminated or non-illuminated switches in a common base. Each pole can have the same or different switch function. These switches are AC rated up to 15 amps and are also suitable for low-voltage DC applications, in a wide range of markets.

<b>2</b>	<b>5-15</b>	<b>125-250</b>	<b>6-28</b>
Poles	Amps	VAC	VDC

## Typical Applications

- Appliances
- Transportation
- Medical
- HVAC
- Commercial Food

# Tech Specs

## Dielectric Strength

UL/CSA: 1000V - live to dead metal parts

## Electrical Life

50,000 cycles - maintained  
25,000 cycles - momentary

## Operating Temperature

32°F to 185°F (0°C to 85°C)

# Ordering Scheme

Sample Part Number: **TTG T - TA 20 1 - T B - B / LTA 20 1 P B - B R / 125N**

Selection: 1 2 3 4 5 6 7 8 / 3 4 5 6 7 8 9 10

Labels: Base Only, Switch 1, Switch 2

### 1. SERIES

**TTG** Two Single Pole switches in one base

### 2. CIRCUIT

See next page for diagram

Available with circuits A, B, C, D, E, F, L, T, U

### 3. BASIC SWITCH NUMBER

**TA** On-None-Off      **TC** On-Off-On  
**TB** On-None-On      **LTA** On-None-Off, Lighted

### 4. RATING

**10** 5A 250VAC, 10A 125VAC, 1/2HP 125-250VAC  
**20** 10A 250VAC, 15A 125VAC, 3/4HP 125-250VAC  
**21** 10A 250VAC, 15A 125VAC

### 5. TERMINATION / FUNCTION

	Solder Lug	.250 Tab QC	.187 Tab QC	Wire Leads
On-None-Off	0	1	3	5
(On)-None-Off	A	B	D	F
On-None-(Off)	L	M	R	T
On-None-On	0	1	3	5
On-None-(On)	A	B	D	F
On-Off-On	0	1	3	5

### 6. ACTUATOR STYLE

**P** Paddle  
**T** Rocker  
**PS** Short Paddle

### 7. ACTUATOR COLOR

**unlighted**<sup>1</sup>  
**B** Black  
**W** White

**lighted**<sup>2</sup>  
**A** Amber  
**C** Clear  
**G** Green  
**LU** Blue  
**R** Red

### 8. BASE COLOR

**B** Black      **W** White

### 9. LENS COLOR

**A** Amber      **G** Green      **R** Red  
**C** Clear      **LU** Blue      **W** White

### 10. LAMP VOLTAGE

**incandescent**  
**6V** 6 volt  
**12V** 12 volt  
**18V** 18 volt  
**24V** 24 volt  
**28V** 28 volt

**neon**  
**125N** 125 volt neon  
**250N** 250 volt neon

Notes: Imprinting is available. Consult factory. Panel Cut-Out Recommendations: For sheet metal panels, switch must enter panel in same direction as the punch. (Burr on bottom.) Test cut hole in actual material.

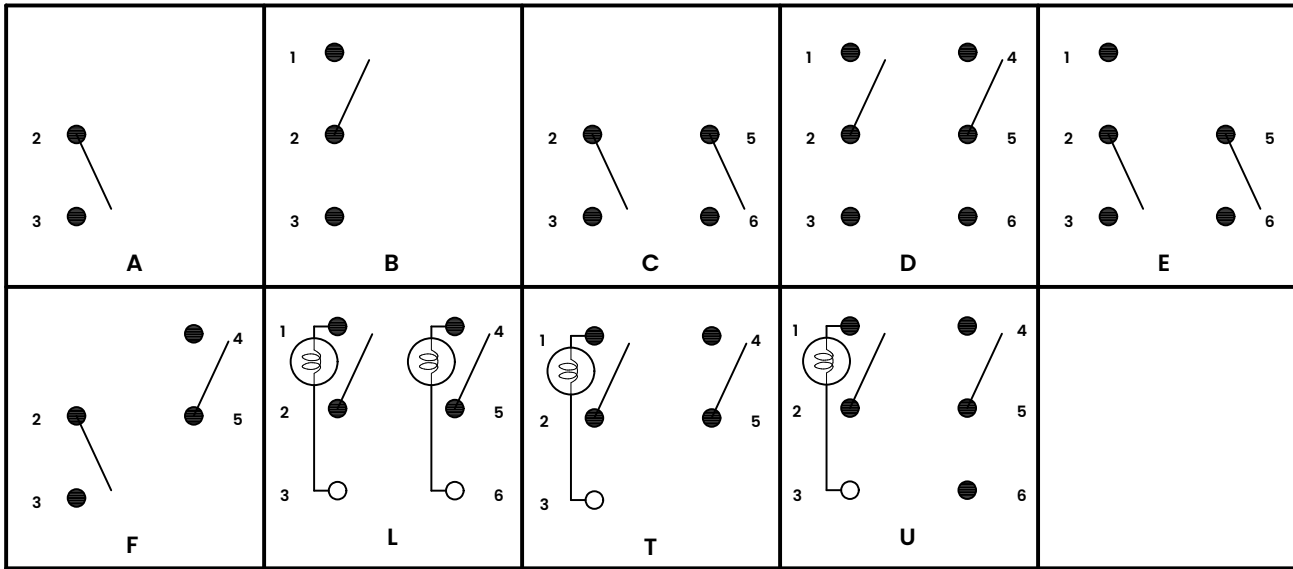
- <sup>1</sup> Custom colors are available. Consult factory.
- <sup>2</sup> Specify lens color for LTA with rocker only.
- <sup>3</sup> Specify lens color for LTA with paddle actuators only.
- ( ) Indicates momentary function.

[Configure Complete Part Number >](#)

[Browse Standard Parts >](#)

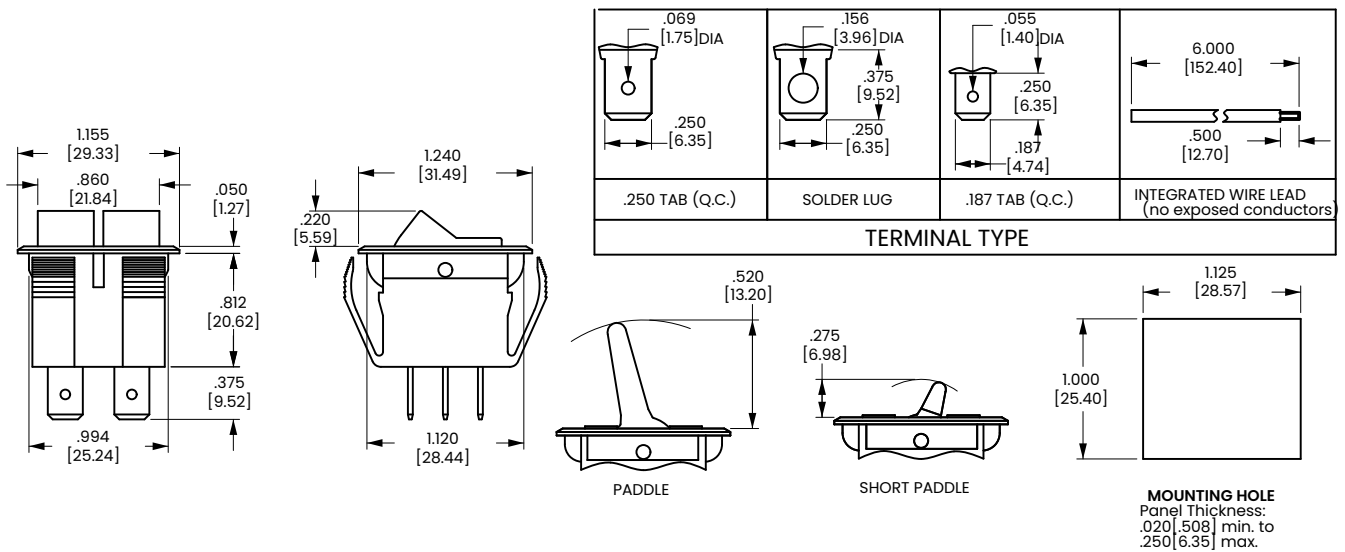
# Ordering Scheme Diagram

## 2. CIRCUIT



# Dimensional Specs

inches [millimeters]



## Authorized Sales Representatives and Distributors

Click on a region of the map below to find your local representatives and distributors or visit [www.carlingtech.com/findarep](http://www.carlingtech.com/findarep).



## About Carling

Founded in 1920, Carling Technologies is a leading manufacturer of electrical and electronic switches and assemblies, circuit breakers, electronic controls, power distribution units, and multiplexed power distribution systems. With six ISO9001 and IATF16949 registered manufacturing facilities and technical sales offices worldwide, Carling Technologies Sales, Service and Engineering teams do much more than manufacture electrical components, they engineer powerful solutions! To learn more about Carling please visit [www.carlingtech.com/company-profile](http://www.carlingtech.com/company-profile).

To view all of Carling's environmental, quality, health & safety certifications please visit [www.carlingtech.com/environmental-certifications](http://www.carlingtech.com/environmental-certifications).

© Carling Technologies, Inc.

4. Carling, Tippet are registered trademarks of Carling Technologies, Inc. in the U.S. and other countries.