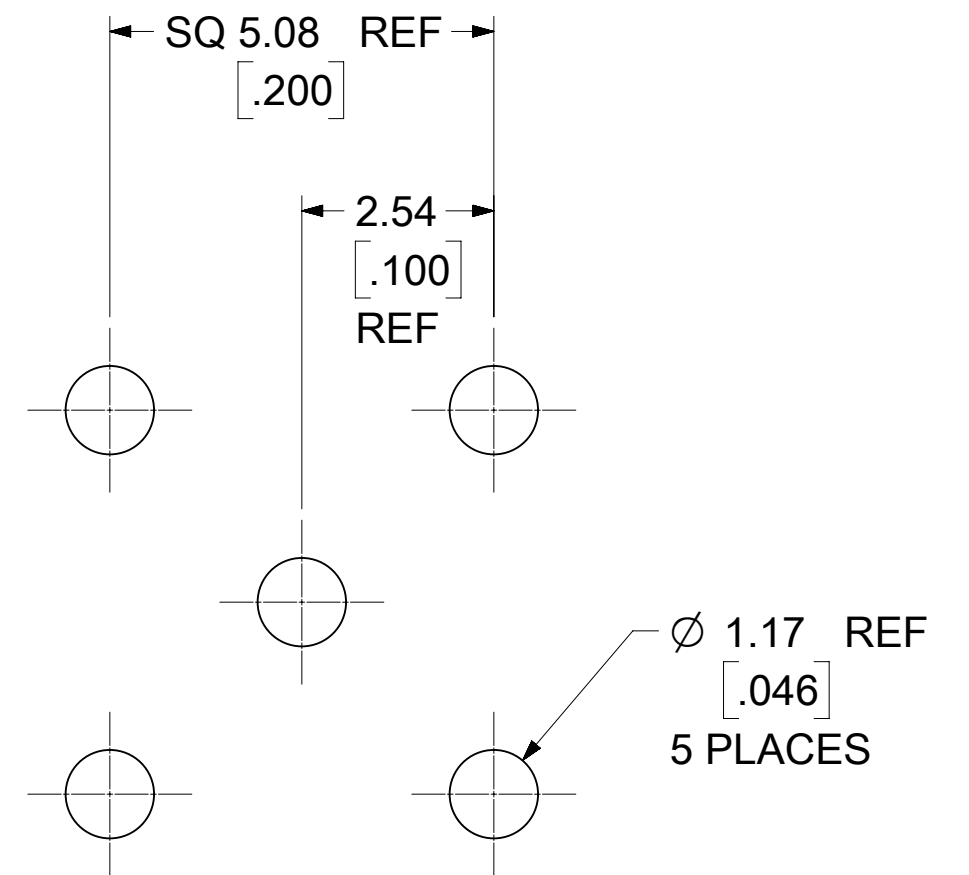
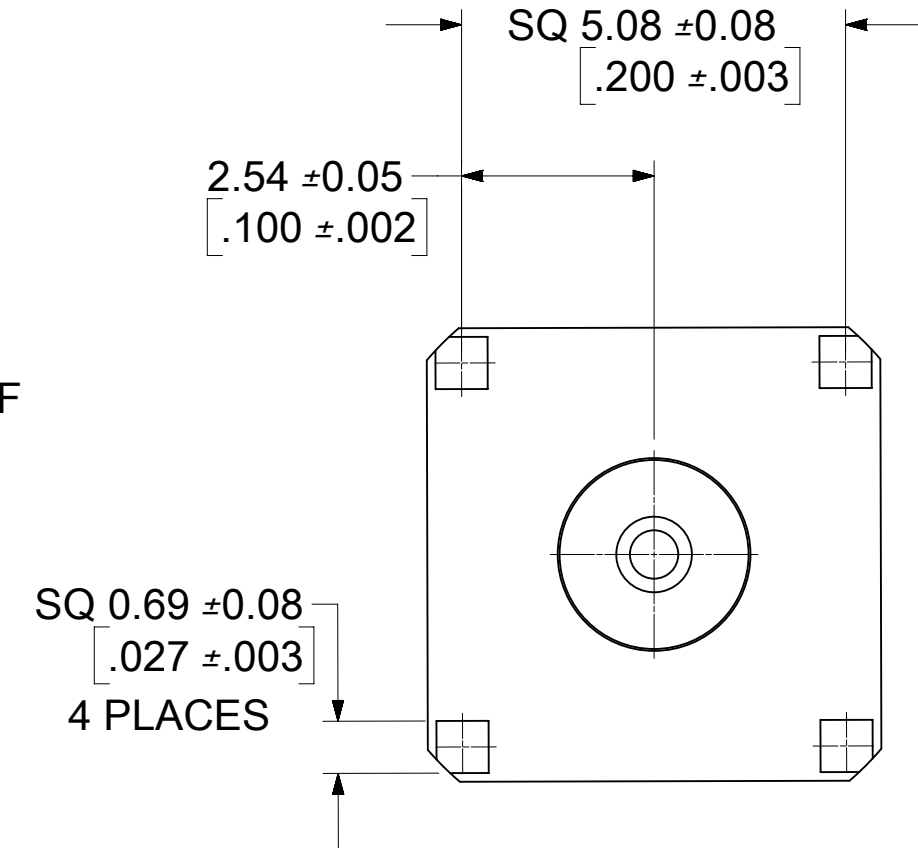
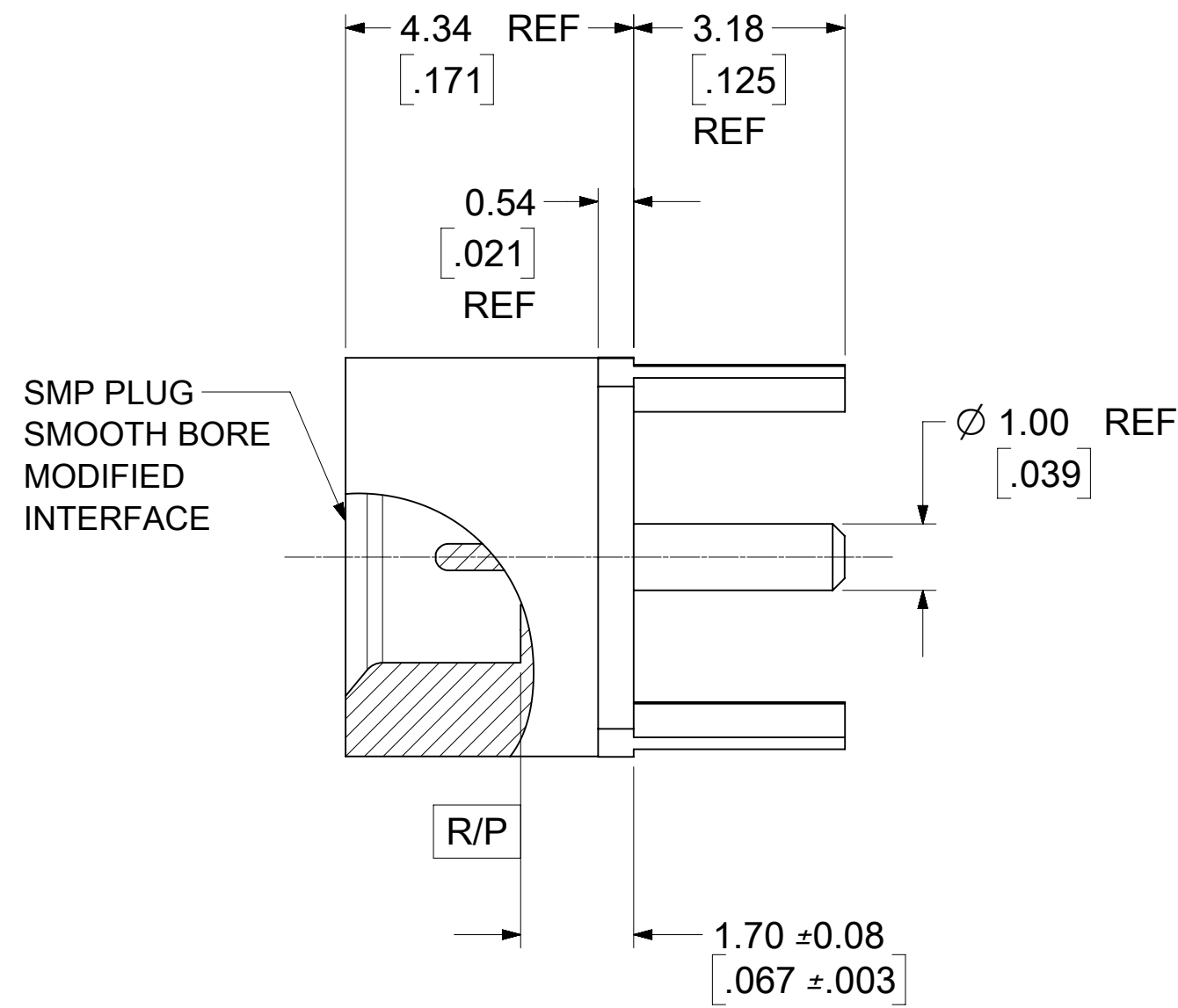
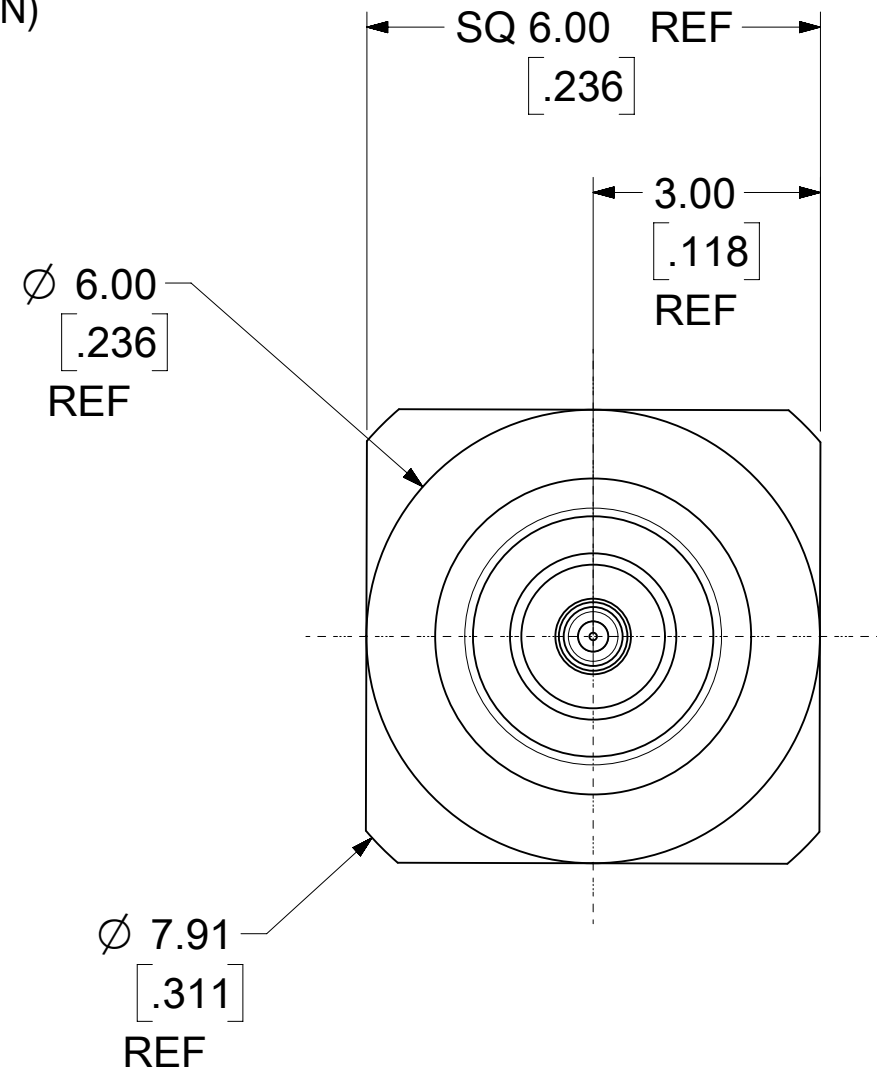
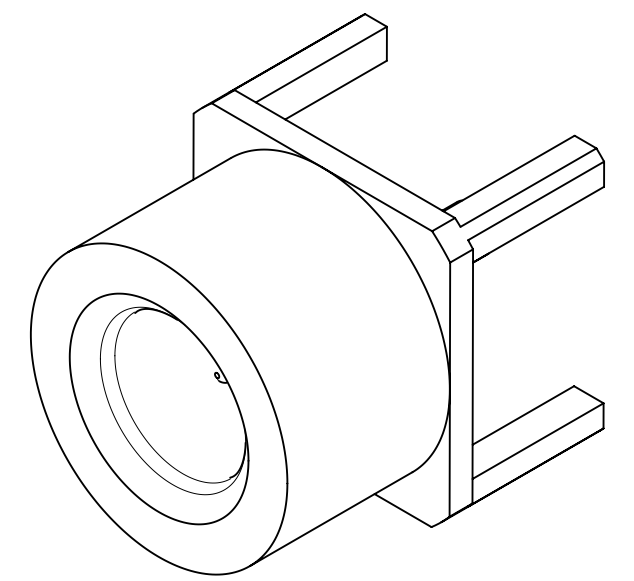


MATERIALS AND FINISHES:

BODY: BRASS
 PLATED: GOLD (10µ-in MIN)
 OVER NICKEL (100µ-in MIN)

CENTER CONTACT: BRASS
 PLATED: GOLD (30µ-in MIN)
 OVER NICKEL (100µ-in MIN)

INSULATOR: PTFE



RECOMMENDED PCB LAYOUT

73415-5311	TAPE & REEL
73415-5310	TRAY
PART NO.	PACKAGING

PS-89675-3320	PRODUCT SPECIFICATION
MIL-STD-348B, FIG. 326.5	INTERFACE
SPECIFICATION	DESCRIPTION

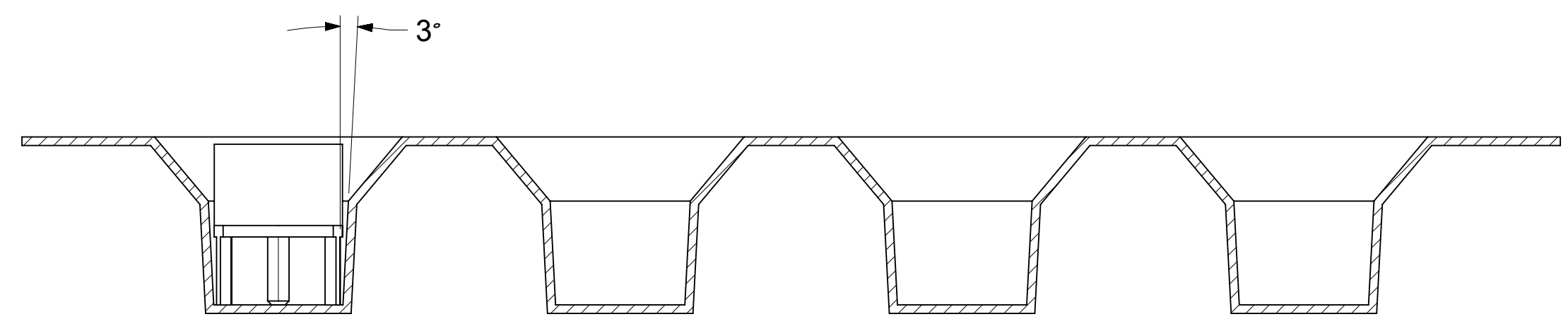
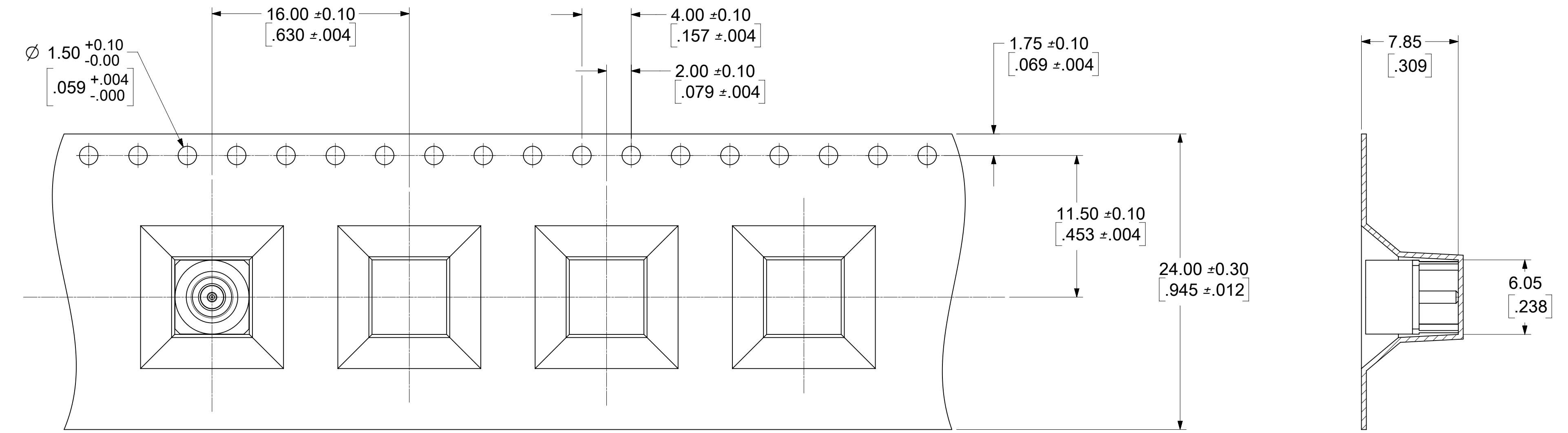
SYMBOLS	THIS DRAWING CONTAINS INFORMATION THAT IS PROPRIETARY TO MOLEX ELECTRONIC TECHNOLOGIES, LLC AND SHOULD NOT BE USED WITHOUT WRITTEN PERMISSION			
	DIMENSION UNITS	SCALE		CURRENT REV DESC:
▽ = 0	MM/IN	NTS		EC NO: 624291 DRWN: SSSHAH 2019/09/17 CHK'D: LMEIER 2019/09/24 APPR: AROBERTSON 2019/09/24
▽ = 0	GENERAL TOLERANCES (UNLESS SPECIFIED)			
▽ = 0		MM	INCH	INITIAL REVISION: DRWN: SSSHAH 2005/04/19 APPR: JWIENER 2005/04/19
▽ = 0	4 PLACES	±	±	
▽ = 0	3 PLACES	±	± 0.01	SERIES 73415
▽ = 0	2 PLACES	± 0.25	±	
▽ = 0	1 PLACE	±	±	MATERIAL NUMBER SEE TABLE
▽ = 0	0 PLACES	±	±	
▽ = 0	ANGULAR TOL	± 2.0 °		CUSTOMER SEE TABLE
▽ = 0	DRAFT WHERE APPLICABLE MUST REMAIN WITHIN DIMENSIONS			
▽ = 0	THIRD ANGLE PROJECTION	DRAWING	SHEET NUMBER	SHEET NUMBER
		C-SIZE	73415	1 OF 3

molex

SMP PLUG SB MOD INTERF
 PCB TH VERT 50 OHM SMP-P/PCB, EWR-2735

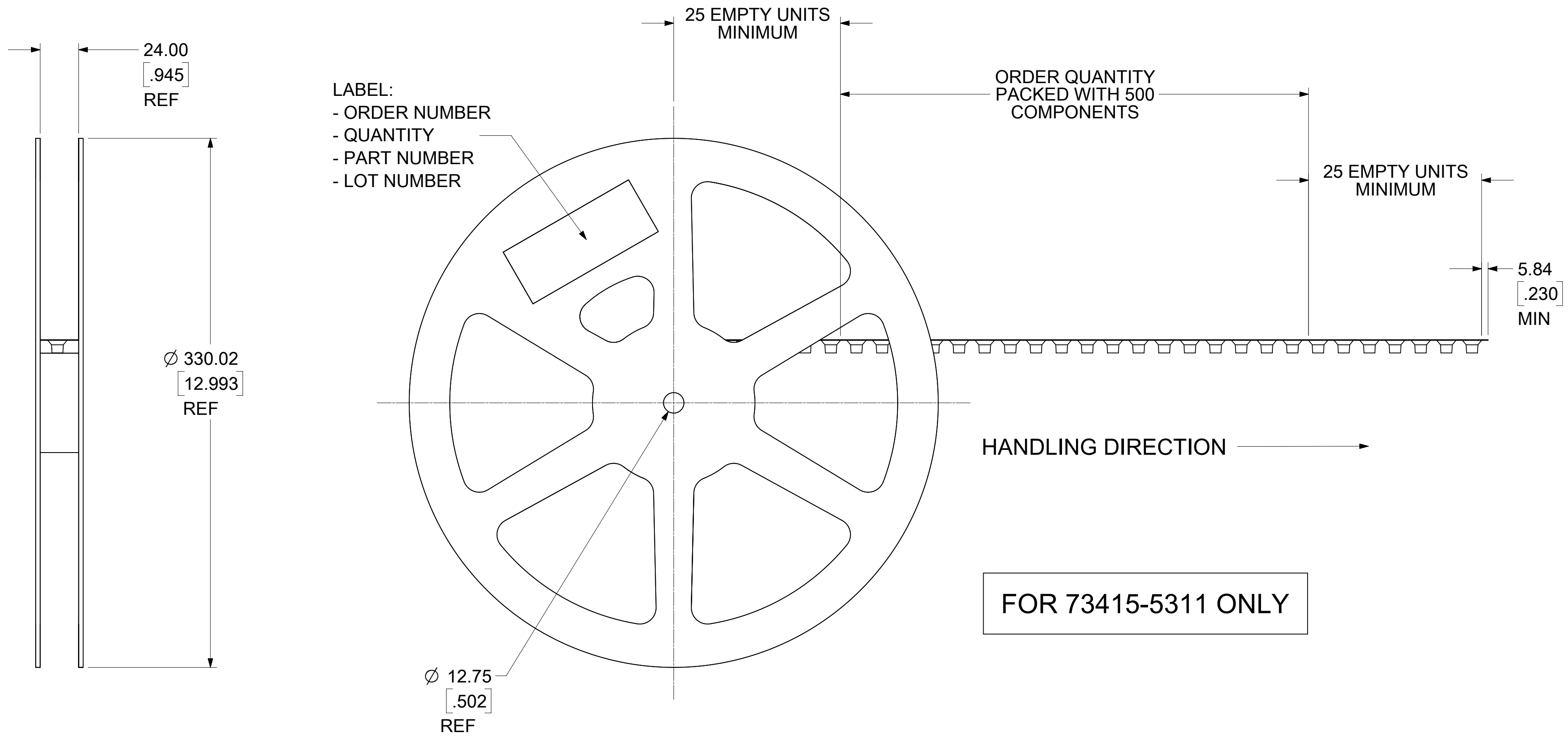
PRODUCT CUSTOMER DRAWING

DOCUMENT NUMBER	DOC TYPE	DOC PART	REVISION
SD-73415-531	PSD	001	C5



NOTE:
MATERIAL: PS BLACK-THICKNESS: 0.40±0.05 MM

SYMBOLS		THIS DRAWING CONTAINS INFORMATION THAT IS PROPRIETARY TO MOLEX ELECTRONIC TECHNOLOGIES, LLC AND SHOULD NOT BE USED WITHOUT WRITTEN PERMISSION															
DIMENSION UNITS		SCALE		CURRENT REV DESC:								DOCUMENT NUMBER		DOC TYPE	DOC PART	REVISION	
▽ = 0	mm	NTS		EC NO: 624291								SD-73415-531		PSD	001	C5	
▽ = 0	GENERAL TOLERANCES (UNLESS SPECIFIED)			DRWN: SSSHAH 2019/09/17								PRODUCT CUSTOMER DRAWING					
▽ = 0	ANGULAR TOL ± 2.0°			CHK'D: LMEIER 2019/09/24								MATERIAL NUMBER					
▽ = 0	4 PLACES ±			APPR: AROBERTSON 2019/09/24								CUSTOMER					
▽ = 0	3 PLACES ±			INITIAL REVISION:								SEE TABLE					
▽ = 0	2 PLACES ± 0.25			DRWN: SSHAH 2005/04/19								SHEET NUMBER					
▽ = 0	1 PLACE ±			APPR: JWIENER 2005/04/19								2 OF 3					
▽ = 0	0 PLACES ±			DRAFT WHERE APPLICABLE MUST REMAIN WITHIN DIMENSIONS		THIRD ANGLE PROJECTION		DRAWING		SERIES		MATERIAL NUMBER		CUSTOMER		SHEET NUMBER	
▽ = 0					C-SIZE		73415		SEE TABLE						2 OF 3		



- NOTES:
 1. DIMENSIONS ARE PROVIDED FOR REFERENCE ONLY
 2. COMPONENT LOAD PER 13" REEL : 500PCS

SYMBOLS ▽ = 0 ▽ = 0 ▽ = 0 ▽ = 0 ▽ = 0 ▽ = 0 ▽ = 0 ▽ = 0 ▽ = 0	THIS DRAWING CONTAINS INFORMATION THAT IS PROPRIETARY TO MOLEX ELECTRONIC TECHNOLOGIES, LLC AND SHOULD NOT BE USED WITHOUT WRITTEN PERMISSION	DIMENSION UNITS: mm SCALE: NTS	CURRENT REV DESC: EC NO: 624291 DRWN: SSSHAH 2019/09/17 CHK'D: LMEIER 2019/09/24 APPR: AROBERTSON 2019/09/24	molex			
	GENERAL TOLERANCES (UNLESS SPECIFIED) ANGULAR TOL ± 2.0°	4 PLACES ± 3 PLACES ± 2 PLACES ± 0.25 1 PLACE ± 0 PLACES ±	INITIAL REVISION: DRWN: SSHAH 2005/04/19 APPR: JWIENER 2005/04/19	DOCUMENT NUMBER SD-73415-531	DOC TYPE PSD	DOC PART 001	REVISION C5
	DRAFT WHERE APPLICABLE MUST REMAIN WITHIN DIMENSIONS	THIRD ANGLE PROJECTION 	DRAWING C-SIZE	SERIES 73415	MATERIAL NUMBER SEE TABLE	CUSTOMER	SHEET NUMBER 3 OF 3
	DOCUMENT STATUS: P1	RELEASE DATE: 2019/09/24	15:55:14				