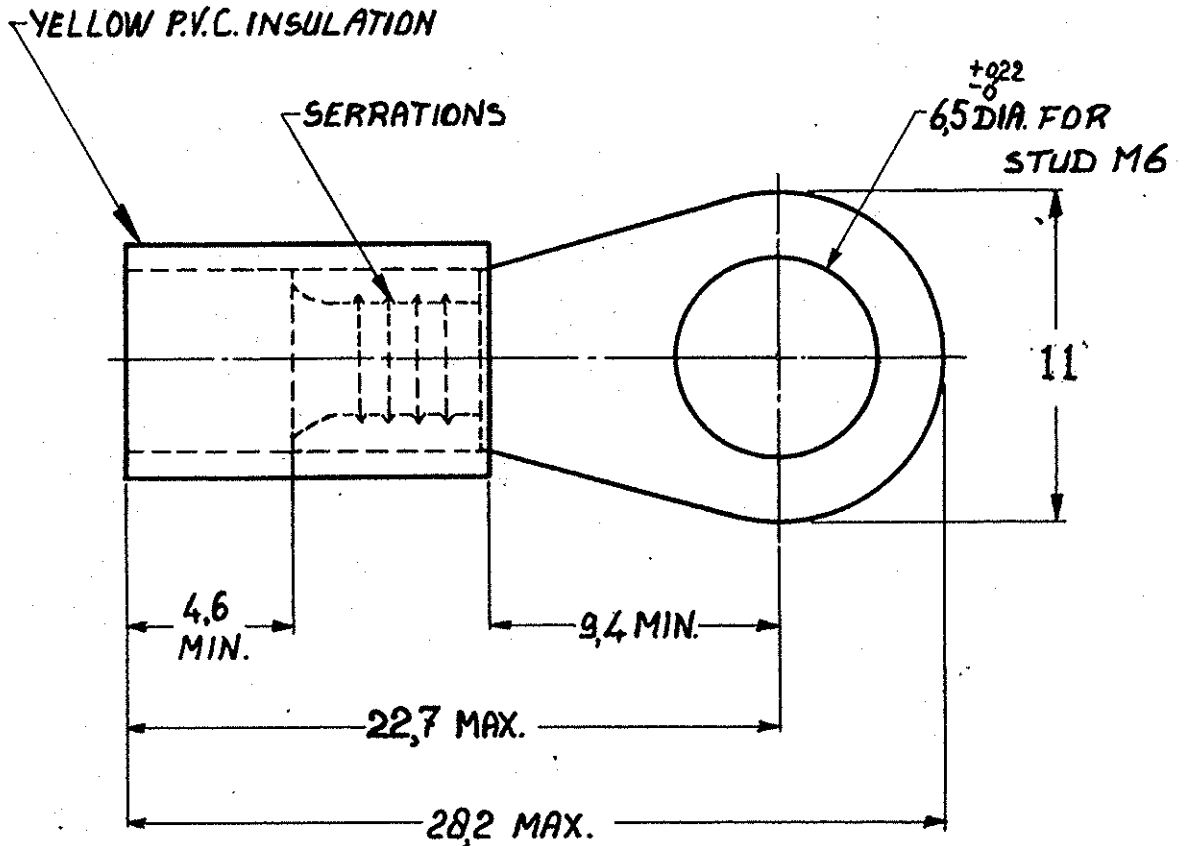


DRAWING MADE IN AMERICAN PROJECTION

NUMBER C-165414-E



TONGUE MATERIAL THICKNESS: 10

REV C 30-8-85 DIMENSIONS IN M.M. DO NOT SCALE PRINT

CUSTOMER COPY FOR REFERENCE ONLY

©1970 BY AMP-HOLLAND N.V. ALL RIGHTS RESERVED A-MP PRODUCTS COVERED BY PATENTS AND/OR PATENTS PENDING.



AMP-HOLLAND N.V.
HERTOGENBOSCH
HOLLAND

OBS
2-165414-1 165414 TAPE MOUNTED

165414	COPPER	TIN
ORDER NO.	MATERIAL	PLATING

WIRE-RANGE 4-6 mm ²	INSUL.-RANGE 5.6 DIA. MAX	TYPE PLASTI-GRIP	DIN
-----------------------------------	------------------------------	---------------------	-----

SCALE 4:1	LOC H	SIZE A	NO C-165414-E	REV F
--------------	----------	-----------	------------------	----------

DR R. Sissler 3/11-1970	DATE	DE	DATE
CHK	DATE	APP	DATE

INSULATED RINGTONGUE for stud M6