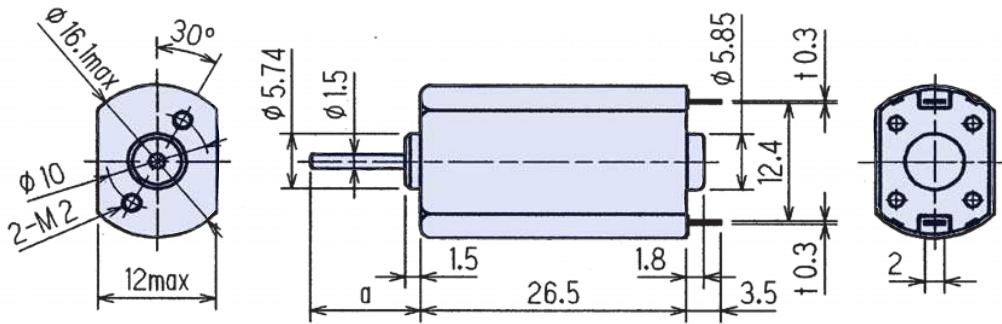


PPN13



Weight: 17 g

Outline UNIT:mm



Specifications

| Model | Operating Voltage (V) | Rated Voltage (V) | No Load Speed (min^{-1}) | No Load Current (mA) | Rated Load | | Rated Load Speed (min^{-1}) | Rated Load Current (mA) | Starting Torque | | Starting Current (mA) | Shaft Length (mm) |
|------------|-----------------------|-------------------|-------------------------------------|----------------------|-------------------------------|------------------------------|--|-------------------------|-------------------------------|------------------------------|-----------------------|-------------------|
| | | | | | ($\text{gf}\cdot\text{cm}$) | ($\text{mN}\cdot\text{m}$) | | | ($\text{gf}\cdot\text{cm}$) | ($\text{mN}\cdot\text{m}$) | | |
| PPN13PB10C | 2 to 9 | 7.4 | 7014 | 29 | 7.5 | 0.74 | 5677 | 108 | 39.6 | 3.9 | 442 | a=11 |
| PPN13PB11C | 2 to 9 | 7.4 | 9125 | 34 | 7.5 | 0.74 | 7473 | 137 | 41.7 | 4.1 | 601 | a=11 |
| PPN13PB12C | 2 to 9 | 5.0 | 7084 | 34 | 5.0 | 0.49 | 6117 | 114 | 36.6 | 3.6 | 618 | a=11 |

Characteristics

