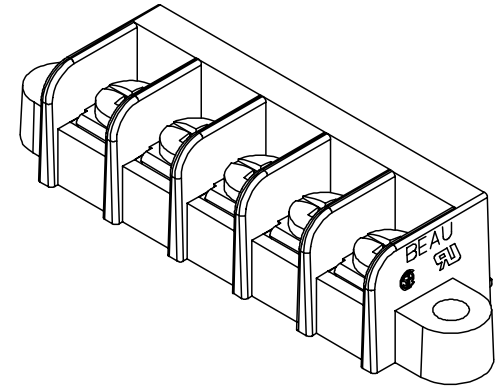
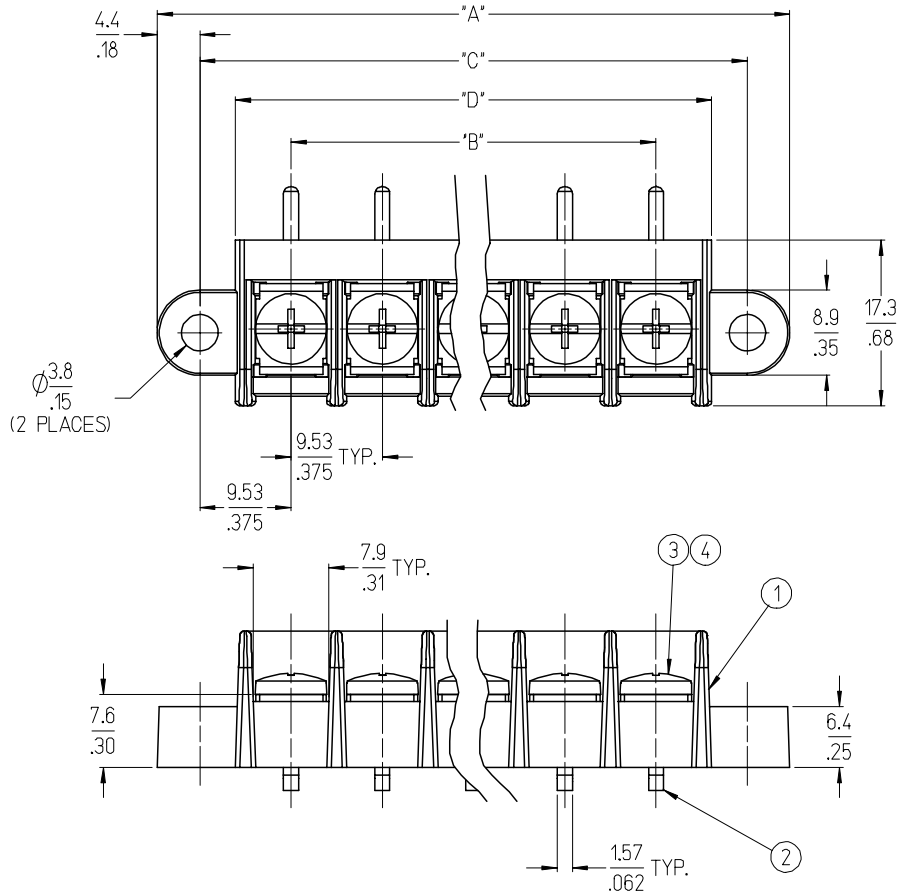
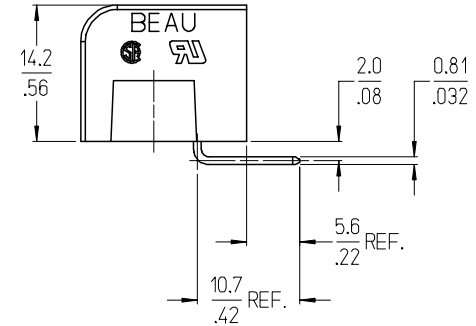


REF. -50 OPT. SCREW
(WHERE APPLICABLE)



5 CIRCUIT SHOWN



NOTES:

1. MATERIAL: SEE TABLE
2. 'XX' REFERS TO THE QUANTITY OF CIRCUITS.
3. TERMINAL TAILS ARE BENT AS SHOWN.
4. ALL COMPONENTS ARE ROHS COMPLIANT.

ITEM	QTY.	DESCRIPTION	MATERIAL	FINISH
5	XX	SCREW&WASHER, #6-32X.25, PAN, PH/SL (-50 OPT)	STEEL	ZN, CLEAR CHROMATE
4	XX	SCREW, #6-32X.25, BHD, PH/SL (-49 OPT)	BRASS	NICKEL PLATE
3	XX	SCREW, #6-32X.25, BHD, PH/SL (STD.)	STEEL	ZN, CLEAR CHROMATE
2	XX	TERMINAL, WW	BRASS	TIN PLATE
1	1	INSULATOR, SR, CS, WITH MTG.	PBT	BLACK

INITIAL RELEASE
EC NO: ETC2007-0155
DRAWN: CLYORK 2006/10/12
CHKD: JMACNEIL 2006/10/13
APPR: JMACNEIL 2006/10/16

QUALITY SYMBOLS
 = 0
 = 0

GENERAL TOLERANCES (UNLESS SPECIFIED)	
mm	INCH
4 PLACES ± ---	± ---
3 PLACES ± ---	± .005
2 PLACES ± 0.13	± .01
1 PLACE ± 0.3	± ---
ANGULAR ± 2 °	

DIMENSION STYLE	
MM/IN	SCALE
DRAWN BY: C. YORK	DATE: 2006/10/09
CHECKED BY: J. MACNEIL	DATE: 2006/10/09
APPROVED BY: J. MACNEIL	DATE: 2006/10/09
MATERIAL NO.	DOCUMENT NO.
SEE SHT. 2	SD-38751-001

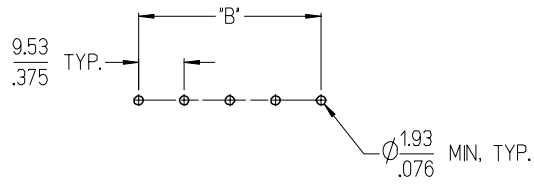
SCALE	DESIGN UNITS	THIRD ANGLE PROJECTION
2:1	INCH	
TITLE: 9.53MM [.375] SR BTS CS ASSY, RA PC TERMINAL WITH MOUNTING ENDS		
MOLEX INCORPORATED		
SHEET NO. 1 OF 2		

THIS DRAWING CONTAINS INFORMATION THAT IS PROPRIETARY TO MOLEX INCORPORATED AND SHOULD NOT BE USED WITHOUT WRITTEN PERMISSION

10 9 8 7 6 5 4 3 2 1

F
E
D
C
B
A

NO. OF CIRCUITS	DIM. "A"		DIM. "B"		DIM. "C"		DIM. "D"		ASSEMBLY MATERIAL NO. (STANDARD)	ASSEMBLY MATERIAL NO. (-49 OPT)	ASSEMBLY MATERIAL NO. (-50 OPT)
	mm	in	mm	in	mm	in	mm	in			
02	37.5	1.48	9.53	0.375	28.58	1.125	20.9	0.82	387515102	387515402	387515702
03	47.0	1.85	19.05	0.750	38.10	1.500	30.4	1.20	387515103	387515403	387515703
04	56.5	2.23	28.58	1.125	47.63	1.875	39.9	1.57	387515104	387515404	387515704
05	66.0	2.60	38.10	1.500	57.15	2.250	49.5	1.95	387515105	387515405	387515705
06	75.6	2.98	47.63	1.875	66.68	2.625	59.0	2.32	387515106	387515406	387515706
07	85.1	3.35	57.15	2.250	76.20	3.000	68.5	2.70	387515107	387515407	387515707
08	94.6	3.73	66.68	2.625	85.73	3.375	78.0	3.07	387515108	387515408	387515708
09	104.1	4.10	76.20	3.000	95.25	3.750	87.6	3.45	387515109	387515409	387515709
10	113.7	4.48	85.73	3.375	104.78	4.125	97.1	3.82	387515110	387515410	387515710
11	123.2	4.85	95.25	3.750	114.30	4.500	106.6	4.20	387515111	387515411	387515711
12	132.7	5.23	104.78	4.125	123.83	4.875	116.1	4.57	387515112	387515412	387515712
13	142.2	5.60	114.30	4.500	133.35	5.250	125.7	4.95	387515113	387515413	387515713
14	151.8	5.98	123.83	4.875	142.88	5.625	135.2	5.32	387515114	387515414	387515714
15	161.3	6.35	133.35	5.250	152.40	6.000	144.7	5.70	387515115	387515415	387515715
16	170.8	6.73	142.88	5.625	161.93	6.375	154.2	6.07	387515116	387515416	387515716
17	180.3	7.10	152.40	6.000	171.45	6.750	163.8	6.45	387515117	387515417	387515717
18	189.9	7.48	161.93	6.375	180.98	7.125	173.3	6.82	387515118	387515418	387515718
19	199.4	7.85	171.45	6.750	190.50	7.500	182.8	7.20	387515119	387515419	387515719
20	208.9	8.23	180.98	7.125	200.03	7.875	192.3	7.57	387515120	387515420	387515720
21	218.4	8.60	190.50	7.500	209.55	8.250	201.9	7.95	387515121	387515421	387515721
22	228.0	8.98	200.03	7.875	219.08	8.625	211.4	8.32	387515122	387515422	387515722
23	237.5	9.35	209.55	8.250	228.60	9.000	220.9	8.70	387515123	387515423	387515723
24	247.0	9.73	219.08	8.625	238.13	9.375	230.4	9.07	387515124	387515424	387515724
25	256.5	10.10	228.60	9.000	247.65	9.750	240.0	9.45	387515125	387515425	387515725
26	266.1	10.48	238.13	9.375	257.18	10.125	249.5	9.82	387515126	387515426	387515726



RECOMMENDED PCB LAYOUT
SCALE 1:1

SEE SHEET 1 EC NO: ETC2007-0155 DRWN: C. YORK 2006/10/12 CHKD: J. MACNEIL 2006/10/13 APPR: J. MACNEIL 2006/10/16	QUALITY SYMBOLS ▽=0 ▽=0	GENERAL TOLERANCES (UNLESS SPECIFIED)		DIMENSION STYLE		SCALE	DESIGN UNITS	THIRD ANGLE PROJECTION	
		mm	INCH	MM/IN	MM/IN	1:1	INCH		
A	DESCRIPTION	4 PLACES ± --- ± ---		DRAWN BY		DATE		TITLE 9.53MM [.375] SR BTS CS ASSY, RA PC TERMINAL WITH MOUNTING ENDS	
		3 PLACES ± --- ± .005		C. YORK		2006/10/09			
REV	DESCRIPTION	2 PLACES ± 0.13 ± .01		CHECKED BY		DATE		MOLEX MOLEX INCORPORATED	
		1 PLACE ± 0.3 ± ---		J. MACNEIL		2006/10/09			
		ANGULAR ± 2 °		APPROVED BY		DATE		DOCUMENT NO. SD-38751-001	
				J. MACNEIL		2006/10/09			
		DRAFT WHERE APPLICABLE MUST REMAIN WITHIN DIMENSIONS		MATERIAL NO.		SHEET NO.			
				SEE CHART		2 OF 2			
				SIZE B		THIS DRAWING CONTAINS INFORMATION THAT IS PROPRIETARY TO MOLEX INCORPORATED AND SHOULD NOT BE USED WITHOUT WRITTEN PERMISSION			

9 8 7 6 5 4 3 2 1