

Brushed DC Motor M25N-1 (Ø 24.4 x 30.8mm)



Features

Carbon Brush
Weight: 46.8g

Applications

Printer

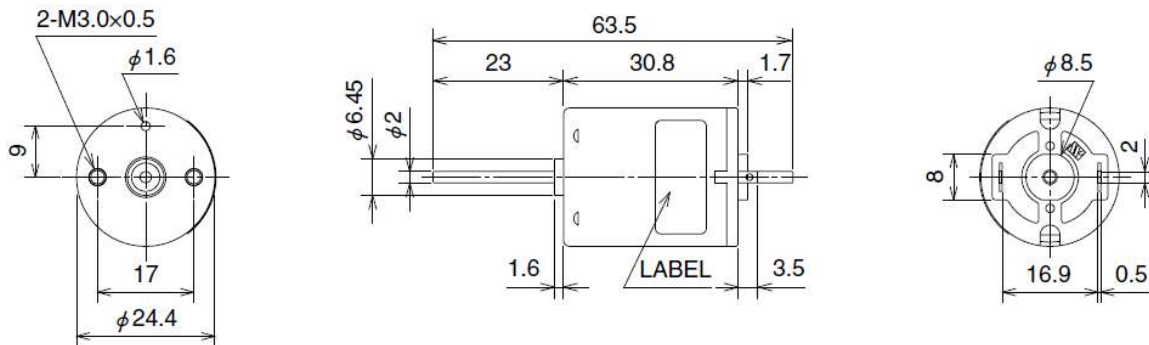


Specifications

MODEL	Voltage		No Load		Rated Load		Rated Load		Starting Torque		Starting Current	Shaft Length
	Operating	Rated	Speed	Current	gf·cm	mN·m	Speed	Current	gf·cm	mN·m	mA	mm
	V	V	min ⁻¹	mA			min ⁻¹	mA				
M25N-1	12 to 24	12	5500	35	31.6	3.10	4500	193	164	16.1	938	*

Characteristics and shaft length can be customized

External Dimensions



Unit:mm

Characteristic Curve

