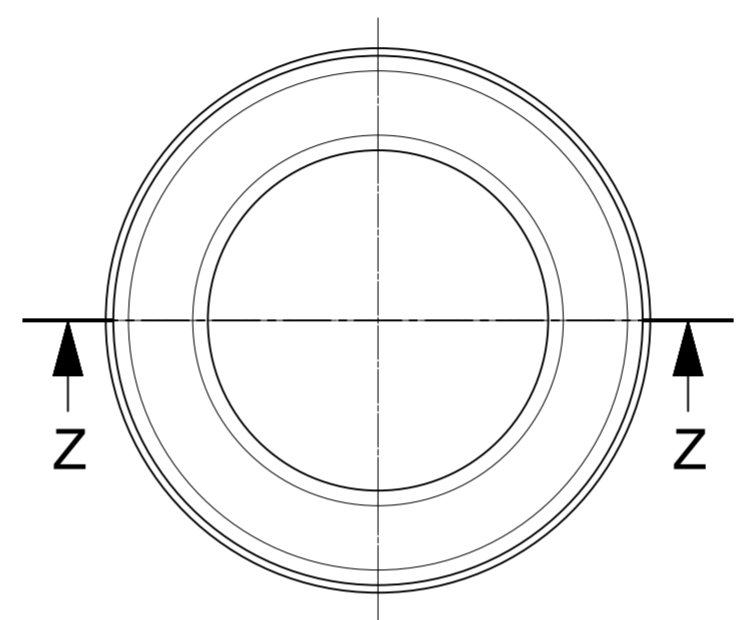


No flash, no cut, no less material,
no deformation on seal lips



MATERIAL SPECIFICATION : SILICON ELASTOMER TYPE LSR 50±5 SHORE A ,
SELF BLEEDING OIL CONTENT : 0%

LOOSE PACKAGING

50 000 seals (5 bags of 10 000 seals) / cardboard box.
PACKAGING CODE : GALIA A12

0643251091	BLACK	0,19
MOLEX PART NUMBER	COLOUR	CALCULATED WEIGHT (g)

THIS DRAWING CONTAINS INFORMATION THAT IS PROPRIETARY TO MOLEX ELECTRONIC TECHNOLOGIES, LLC AND SHOULD NOT BE USED WITHOUT WRITTEN PERMISSION									
DIMENSION UNITS		SCALE		CURRENT REV DESC: REMASTERED IN ECTR					
mm		10:1		<p>molex</p> <p>WIRE SEAL PLUG RCPT 2.8 TERM</p> <p>PRODUCT CUSTOMER DRAWING</p>					
GENERAL TOLERANCES (UNLESS SPECIFIED)									
	MM	INCH							
4 PLACES	±	±							
3 PLACES	±	±							
2 PLACES	±	±		EC NO: 633640		2020/02/28			
1 PLACE	± 0.15	±		DRWN: MKP		2020/03/17			
0 PLACES	±	±		CHK'D: OPLESSIS		2020/03/18			
ANGULAR TOL		± 3.0 °		APPR: CBOUCHAN		2020/03/18			
DRAFT WHERE APPLICABLE MUST REMAIN WITHIN DIMENSIONS				FIRST ANGLE PROJECTION		DRAWING		SERIES	
				A2-SIZE		64325			
DOCUMENT NUMBER		DOC TYPE		DOC PART		REVISION			
SD-64325-004		PSD		001		D1			
MATERIAL NUMBER		CUSTOMER		SHEET NUMBER					
0643251091		GENERAL MARKET		1 OF 1					

DOCUMENT STATUS	P1	RELEASE DATE	2020/03/18	08:59:09
-----------------	----	--------------	------------	----------