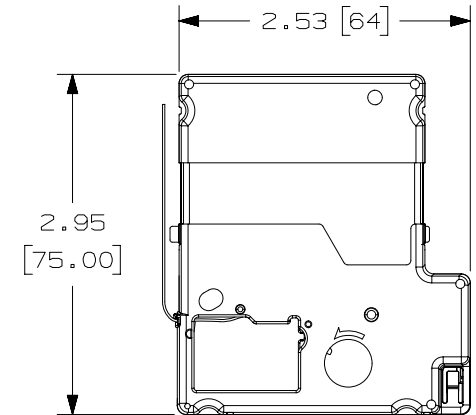
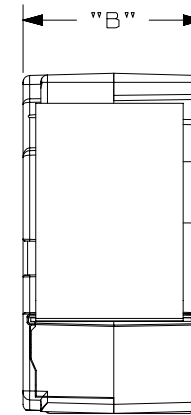


THIS COPY IS PROVIDED ON A RESTRICTED BASIS AND IS NOT TO BE USED IN ANY WAY DETRIMENTAL TO THE INTERESTS OF PANDUIT CORP.

MP CASSETTE PART NO.	LABEL "A" +/- .030 [0.76]	CASSETTE WIDTH "B" REF	COLOR	MATERIAL	ROLL LENGTH +10% / -0%
T038X000VPM-BK	0.354 [9.0]	.87 [22.1]	BLACK ON WHITE	GMV20	23 ft [7.01 m]
T038X000VXM-BK			YELLOW ON BLACK	GMV20	30 ft [9.14 m]
T038X000YKM-BK			CLEAR/BLACK	GMV20	23 ft [7.01 m]
T050X000VPM-BK	0.472 [12.0]		BLACK ON WHITE	GMV20	30 ft [9.14 m]
T050X000VXM-BK			YELLOW ON BLACK	GMV20	23 ft [7.01 m]
T050X000YKM-BK			CLEAR/BLACK	GMV20	30 ft [9.14 m]
T075X000VPM-BK	.710 [18.0]	0.99 [25.1]	BLACK ON WHITE	GMV20	23 ft [7.01 m]
T075X000VXM-BK			YELLOW ON BLACK	GMV20	30 ft [9.14 m]
T075X000YKM-BK			CLEAR/BLACK	GMV20	23 ft [7.01 m]
T100X000VPM-BK	0.945 [24.0]	1.10 [27.9]	BLACK ON WHITE	GMV20	23 ft [7.01 m]
T100X000VXM-BK			YELLOW ON BLACK	GMV20	30 ft [9.14 m]
T100X000YKM-BK			CLEAR/BLACK	GMV20	5 ft [1.52 m]
T100X000MPM-BK			WHITE ON BLACK	MAG	5 ft [1.52 m]
T100X000MXM-BK			YELLOW ON BLACK	MAG	23 ft [7.01 m]
T150X000VPM-BK	1.417 [36.0]	1.56 [39.6]	BLACK ON WHITE	GMV20	23 ft [7.01 m]
T150X000VXM-BK			YELLOW ON BLACK	GMV20	30 ft [9.14 m]
T150X000YKM-BK			CLEAR/BLACK	GMV20	5 ft [1.52 m]
T150X000MPM-BK			WHITE ON BLACK	MAG	5 ft [1.52 m]
T150X000MXM-BK			YELLOW ON BLACK	MAG	5 ft [1.52 m]



REV	DATE	BY	CHK	APR	DESCRIPTION	ECN
00	10/31/19	RVU	JW	JHAC	DRAWING RELEASE.	GAECN04945

TITLE MP CONTINUOUS TAPE	
CUSTOMER DRAWING	
ITEM REVISION NAME 100743XP/00	PANDUIT
DATASET FILE NAME 100743XP_DC/00A	
UNLESS OTHERWISE SPECIFIED, DIMENSIONAL TOLERANCES ARE: IN [mm]	
.x ± .1 [2.54]	.xxx ± .025 [.635]
.xx ± .05 [1.27]	ANGLES ± 5
DRAWING NUMBER: 100743XP_DC	
THIRD ANGLE PROJECTION	
DRAWN BY RVU	DATE 7/15/19
CHK JHAC	SCALE NTS
SHT 1 OF 1	
SIZE A	

D10100DA/20