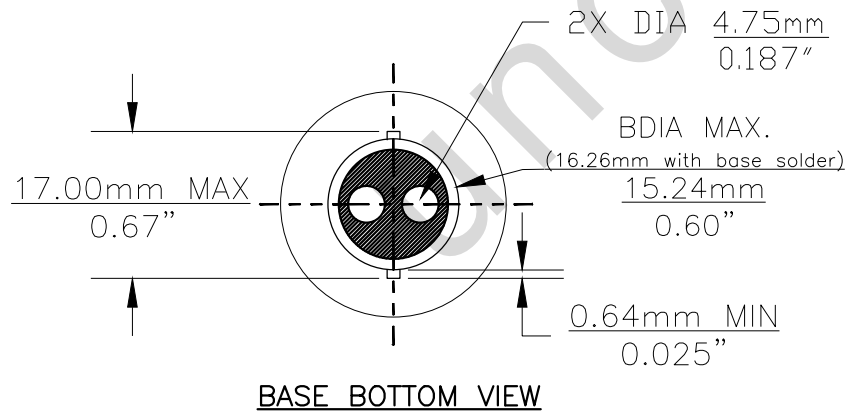
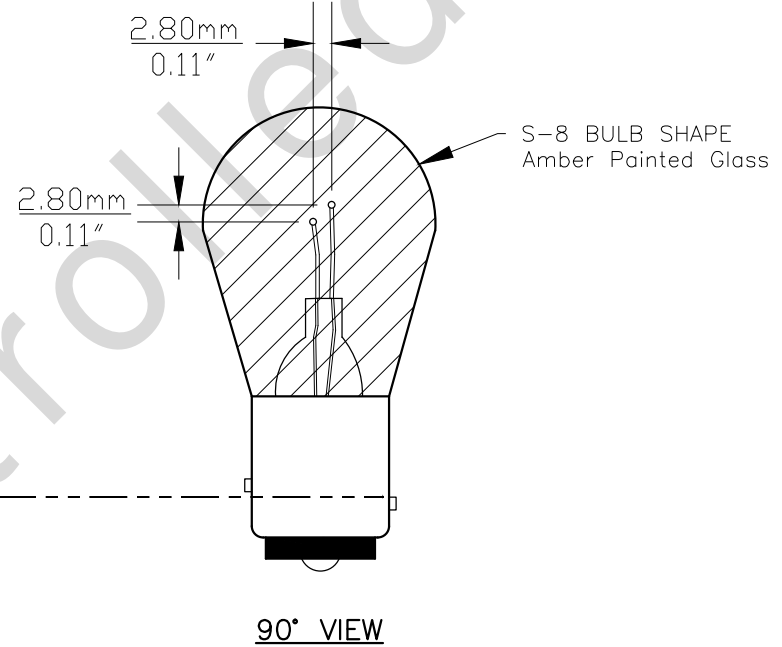
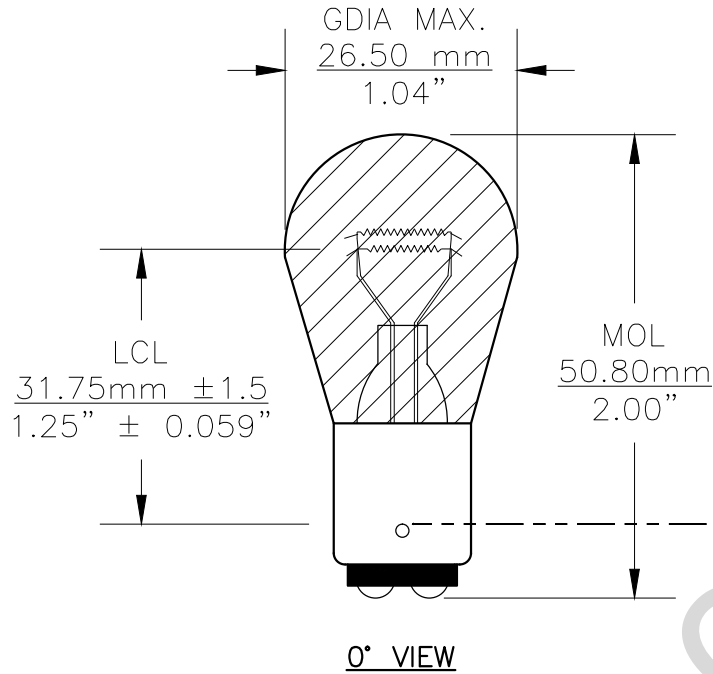




Since 1959

PART NO.	BASE TYPE	DESIGN VOLTS	DESIGN AMPS	MSCD	FILAMENT TYPE	AVERAGE LIFE HOURS	REVISIONS			
							REV #	DESCRIPTION	DATE	APPROVED
1157A	D.C. INDEX BAY15d	12.8V 14.0V	2.1±5% 0.59±8%	24±30% 2.2±30%	C-6 C-6	1200 5000	1	ISSUED	05/23/2014	R.M.



UNLESS OTHERWISE SPECIFIED: DIMENSIONS ARE IN INCHES TOLERANCES		CEC INDUSTRIES LTD			
DECIMALS .XX ± .05		FSCM NO.		DWG NO.	
ANGULAR .XXX ± .010		A		1157A	
FRACTIONAL ±1/64		SCALE		PLOT SCALE	
DRAWN ROSE MEDINA		DATE 05/23/2014		SHEET 1 OF 1	
CHECKED		FILE 1157A.pdf		DRAWING NOT TO SCALE	
DESIGN		TITLE LIGHT BULB NO. 1157A			
MATERIAL		599 BOND STREET LINCOLNSHIRE, IL 60069			