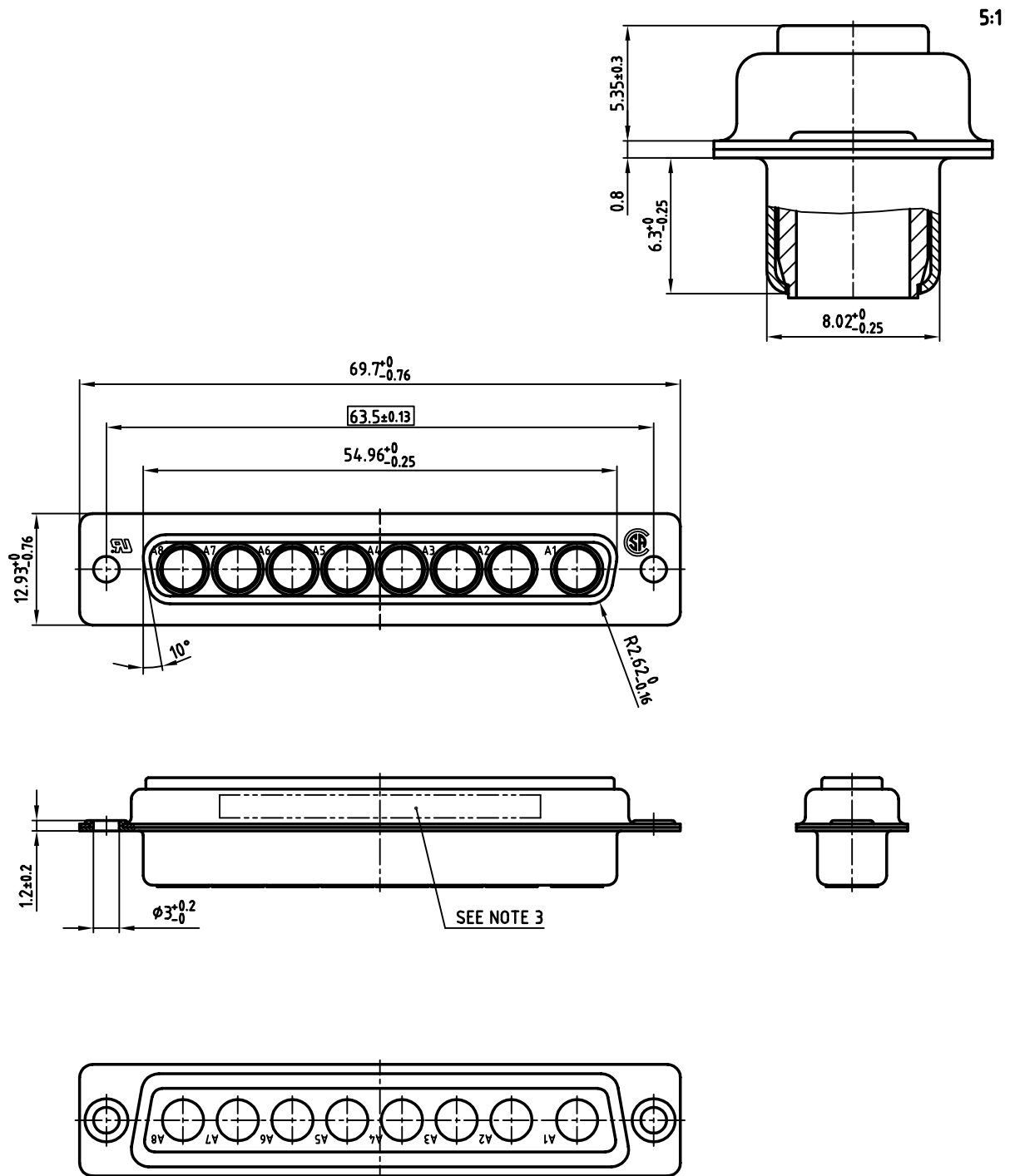


used for: D-SUB COMBINATION



NOTES:

1. METALSHELLS: STEEL; min. 320µ" YELLOW CHROMATE
2. INSULATORS: PBT GF UL 94 V-0; GREEN
3. CONNECTOR IS PART MARKED: PART NO: CONEC Y/WW
4. = CRITICAL DIMENSION

THIS DRAWING MAY NOT BE COPIED OR REPRODUCED IN ANY WAY, AND MAY NOT BE PASSED ON TO A THIRD PARTY, WITHOUT WRITTEN PERMISSION. OWNERSHIP AND COPYRIGHT OF CONEC GmbH DO NOT ALTER CAD DRAWING BY HAND	tolerance				scale:	2:1 (5:1)	
						material:	SEE NOTES
	2002	date	name		title: D-SUB COMBINATION FEMALE 8W8S		
	drawn	09.09.	Schmidt				
	appd.	09.09.	Mickenbecker				
	norm						
					dwg no:	AutoCAD 2000	
CONEC						13K1A704	
rev.	description	date	name	part no: 5008W8SXX99A10X			
						DIN-A 3 sh: 1/1	