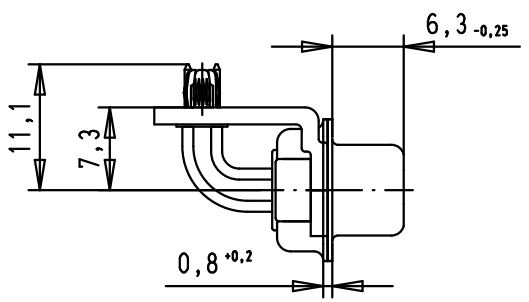
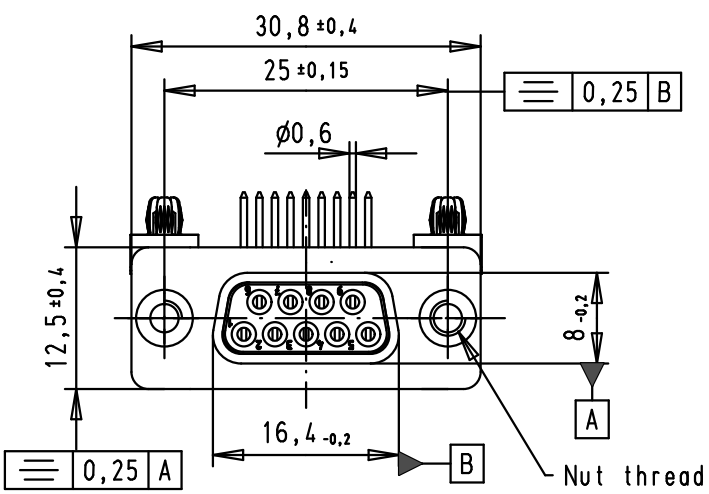


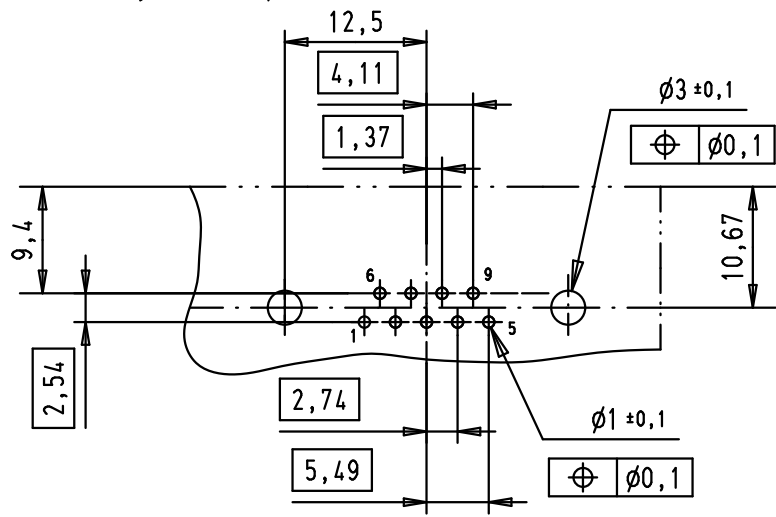
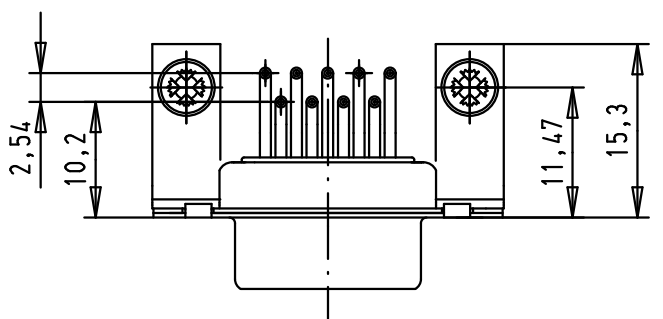
SPECIFICATION

Performance level	PL2
Filter type	C
Capacitance	3900pf±20%
Working Voltage	100v
Current Rating	7.5A
Insulation Resistance	>1GΩ

FREQUENCY (MHz)	ATTENUATION (dB)
5	6dB
10	11dB
50	25dB
100	35dB
500	35dB
1000	32dB



PCB Layout, Component side, thickness 1.6 mm



A

Part number	Mod.	Dat.	Name	Detail.	Dat.	Name
09641147243	M3	36283	12/01/12	SD	8-JUL-02	CV
09641147242	UNC 4-40	33231	07/10/05	JMDR	12/01/12	JB
09641147242	UNC 4-40	31058	8-JUL-02	CV		
Part number	Nut thread	Mod.	Dat.	Name	HARTING EURL F-95972 Paris	



All Dim. in mm  
Orig. Size DIN A 4

D-Sub, female, angled,  
9 Poles, solder pins,  
board-locks and clinch nuts

Ma?Mstab/  
Scale  
1.5:1

Sub.  
TB 0964114724x

Blatt/ Page  
1 / 4