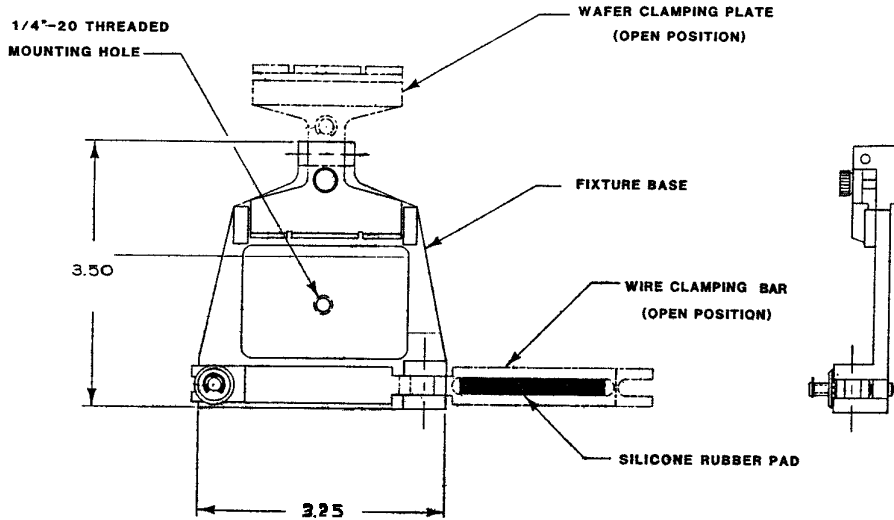


If this document is printed it becomes uncontrolled.  
Check for the latest revision.

REVISIONS				
ZONE	LTR	DESCRIPTION	DATE	APPROVED
	A	ADDED MOUNTING HOLE	2-19-80	ES



- REFER TO ES 61103 FOR FURTHER OPERATING INSTRUCTIONS
- THIS FIXTURE FOR USE WITH MTC 100 ELECTRICAL CONNECTOR WAFERS MANUFACTURED BY RAYCHEM CORPORATION.

NOTES:

CONNECTOR SPECIFICATION CONTROL DRAWING

UNLESS OTHERWISE SPECIFIED DIMENSIONS ARE IN INCHES BRACKETED DIMENSIONS ( ) ARE METRIC AND TOLERANCES ARE:  ...XX: ± XX: ±.05 ( ) A: ±	DRAWN	RS	1/15/80	<b>Raychem</b> <small>RAYCHEM CORPORATION 300 CONSTITUTION DRIVE MIRALDO PARK, CALIFORNIA 94543</small>	
	CHECKED	ES	1/2/80		
	APPROVED	ES	1/6/80		
	APPROVED				
TITLE				<b>MAINTENANCE REPAIR FIXTURE MTC WAFERS</b>	
SIZE <b>C</b> OODE IDENT NO 00000 DWG. NO. CE-1200300					
DO NOT SCALE THIS DRAWING				WEIGHT	SHEET 1 OF 1