

WIRING DIAGRAM

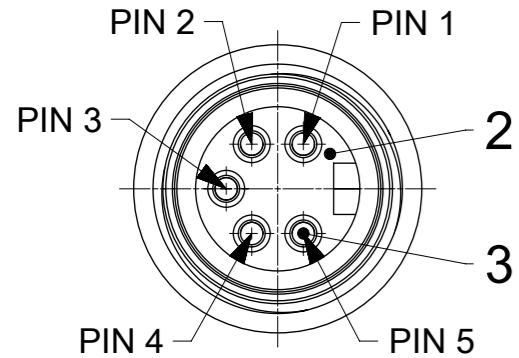
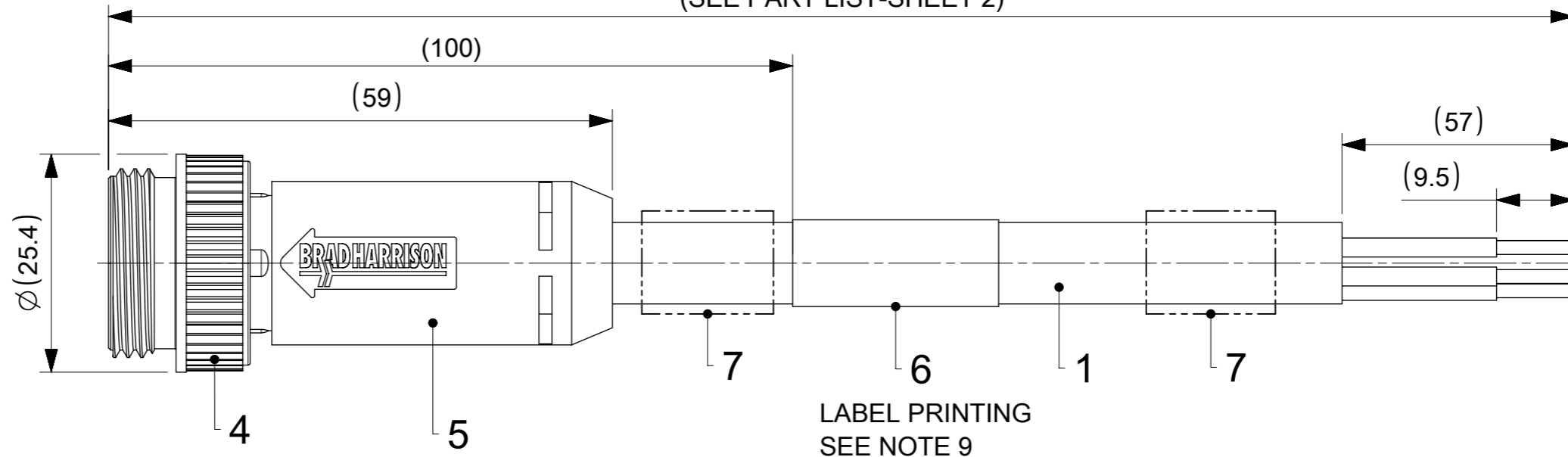


PART NUMBER MATRIX

1 0 5 0 0 6 B 3 5 M X X X H

10 = Single ended cordset A-SIZE	Poles: 5 = 5 Poles	Heads style: 006 = Male straight	Cable: B35 = 1.50mm ² TPU Black	Units: M = Meter	Length Examples: 005 = 0.5 m, 010 = 1 m, 020 = 2 m, 050 = 5 m, 100 = 10 m, 150 = 15 m, 200 = 20 m	2x I/D Carriers
----------------------------------	--------------------	----------------------------------	--	------------------	---	-----------------

FINISHED LENGTH (SEE PART LIST-SHEET 2)



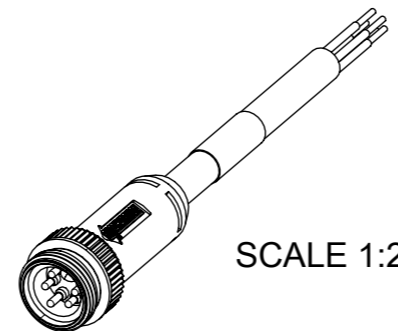
VIEW FROM THE FRONT SIDE

NOTES:

- MATERIAL: SEE BILL OF MATERIALS
- FINISHES: SEE BILL OF MATERIALS
- ELECTRICAL SPECIFICATIONS
VOLTAGE RATING: 600 V
CURRENT RATING: 10 A
- TEMPERATURE RATING:
STATIC: -40 °C TO 90 °C
DYNAMIC: -25 °C TO 80 °C
- PROTECTION: IP67 (WHEN MATED)
- UL CERTIFICATION: UL LISTED, FILE NO. E152210
- IF "H" IN MATRIX - 2xID-CARRIER ASSEMBLED ON HARNESS FROM BOTH SIDES
- PART LIST - SEE SHEET 2
- LABEL PRINTING ACC. STANDARD LABEL INSTRUCTION (SEE SHEET 2)

BILL OF MATERIALS

ITEM	QTY.	DESCRIPTION	MATERIAL	FINISH
1	-	CABLE 16-5 GRAY TPU WELD SLAG RESIST	TPU	-
2	1	MC 5P MALE INSERT	ARNITEL	GRAY
3	5	PIN CONTACT	BRASS	GOLD PLATED
4	1	COUPLING NUT	BRASS	-
5	1	MOULDING MATERIAL BLACK	PUR	-
6	1	WRAP LABEL BLACK/YELLOW	MYLAR	-
7	2	I/D CARRIER	PVC	-

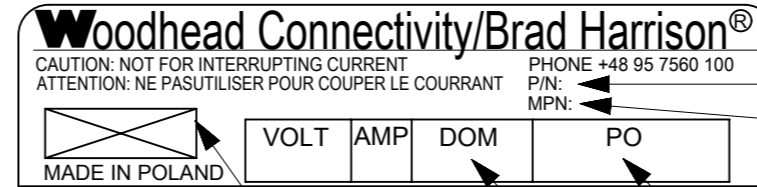


FUNCTIONAL SYMBOLS ▽A = 0 ▽E = 0 ▽F = 0	THIS DRAWING CONTAINS INFORMATION THAT IS PROPRIETARY TO MOLEX ELECTRONIC TECHNOLOGIES, LLC AND SHOULD NOT BE USED WITHOUT WRITTEN PERMISSION	CURRENT REV DESC: NOTES UPDATED, LABEL PRINTING ADDED		molex	
	GENERAL TOLERANCES (UNLESS SPECIFIED) ANGULAR TOL ± 1.0°	4 PLACES ±	3 PLACES ±		
DIVISIONAL SYMBOLS	EC NO: 747270	DRWN: RSCHIEBER	2023/04/17	PRODUCT CUSTOMER DRAWING	
	3 PLACES ±	CHK'D: RSILLER	2023/04/27	DOCUMENT NUMBER: 1300068159	
2 PLACES ± 0.05	APPR: RSILLER	2023/04/27	DOC TYPE: PSD		DOC PART: 000
1 PLACE ± 0.3	INITIAL REVISION:	DRWN: GMAJCHER	2017/08/03	REVISION: B3	
0 PLACES ± 0.5	APPR: MIWASIECZKO	2017/08/04	MATERIAL NUMBER: SEE SHEET 2		CUSTOMER: GENERAL MARKET
DRAFT WHERE APPLICABLE MUST REMAIN WITHIN DIMENSIONS	THIRD ANGLE PROJECTION	DRAWING: A3-SIZE	SERIES: 130006	SHEET NUMBER: 1 OF 2	

PART LIST

MOLEX PN	ENGINEERING No.	FINISHED LENGTH
1300068159	105006B35M020	2000 +89
1300068160	105006B35M050	5000 +165
1300068161	105006B35M100	10000 +317
1300068162	105006B35M200	20000 +622
1300068163	105006B35M300	30000 +622
1300068210	105006B35M010H	1000 +56
1300068211	105006B35M020H	2000 +89
1300068212	105006B35M050H	5000 +165
1300068213	105006B35M100H	10000 +317
1300068214	105006B35M200H	20000 +622
1300068215	105006B35M300H	30000 +622
1300068216	105006B35M350H	35000 +700
1300068275	105006B35M010	1000 +56
1300068276	105006B35M030	3000 +89

LABEL PRINTING



ENGINEERING NO.
MOLEX PN

PO NO.
PRODUCT. DATE

CERTIFICATION SYMBOLS

FUNCTIONAL SYMBOLS	THIS DRAWING CONTAINS INFORMATION THAT IS PROPRIETARY TO MOLEX ELECTRONIC TECHNOLOGIES, LLC AND SHOULD NOT BE USED WITHOUT WRITTEN PERMISSION		
	DIMENSION UNITS mm	SCALE 1:1	CURRENT REV DESC: NOTES UPDATED, LABEL PRINTING ADDED
DIVISIONAL SYMBOLS	GENERAL TOLERANCES (UNLESS SPECIFIED) ANGULAR TOL ± 1.0°		
	4 PLACES ±	3 PLACES ±	2 PLACES ± 0.05 1 PLACE ± 0.3 0 PLACES ± 0.5
EC NO: 747270 DRWN: RSCHIEBER CHK'D: RSILLER APPR: RSILLER		2023/04/17 2023/04/27 2023/04/27	molex CSE MC 5P A-SIZE MA STR WSOR XM SE PRODUCT CUSTOMER DRAWING
INITIAL REVISION: DRWN: GMAJCHER APPR: MIWASIECZKO		2017/08/03 2017/08/04	DOCUMENT NUMBER 1300068159
DRAFT WHERE APPLICABLE MUST REMAIN WITHIN DIMENSIONS		THIRD ANGLE PROJECTION 	DRAWING A3-SIZE
MATERIAL NUMBER SEE SHEET 2		SERIES 130006	CUSTOMER GENERAL MARKET
SHEET NUMBER 2 OF 2		DOC TYPE DOC PART REVISION PSD 000 B3	

DOCUMENT STATUS	P1	RELEASE DATE	2023/04/27	12:11:53
-----------------	----	--------------	------------	----------