

NUMBER 201645

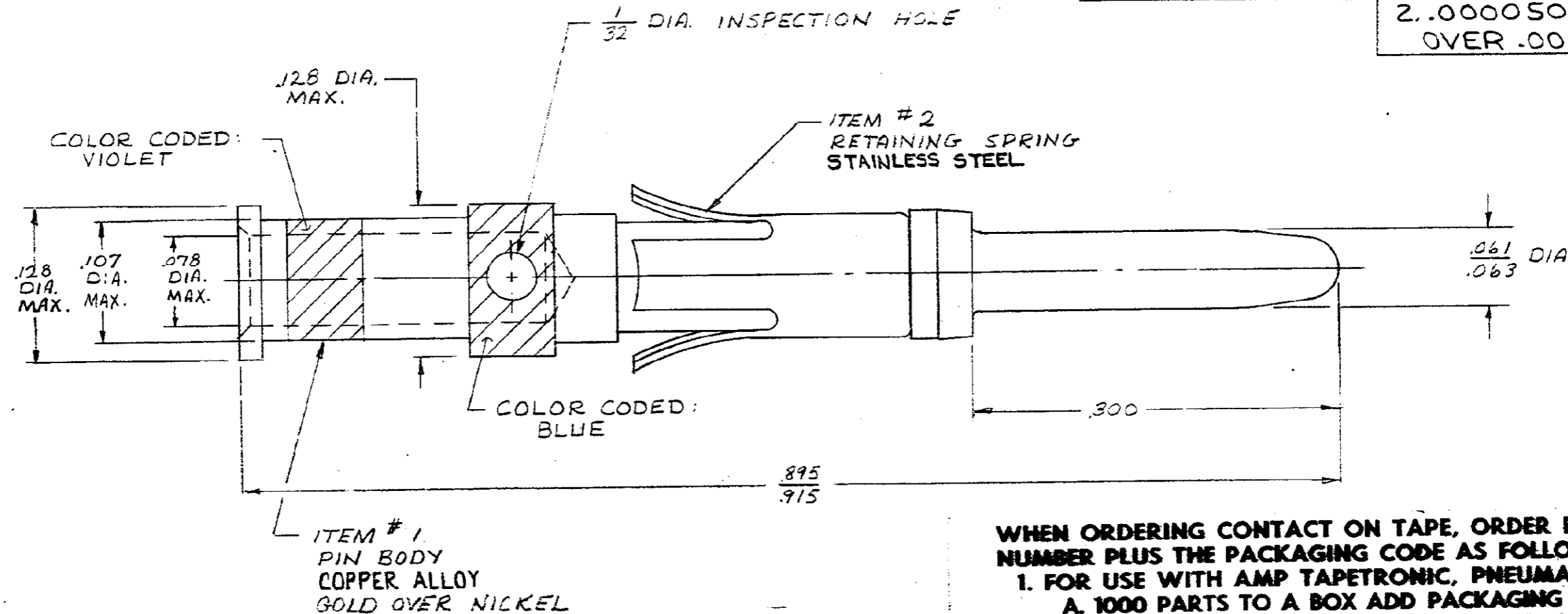
USED ON

03

DIMENSIONS IN INCHES. DO NOT SCALE PRINT.

PRINT JOB 39

201645-1 .000030 MIN GOLD OVER
1.000050 MIN NICKEL.
OBSOLETE 201645-2 1. SAME AS -1 EXCEPT:
2. MTD ON TAPE
OBSOLETE 201645-3 1. SAME AS -1 EXCEPT:
2. .000050 GOLD OVER .000030 NI.



WHEN ORDERING CONTACT ON TAPE, ORDER BY THE TAPE NUMBER PLUS THE PACKAGING CODE AS FOLLOWS:
 1. FOR USE WITH AMP TAPETRONIC, PNEUMATIC TOOL -
 A. 1000 PARTS TO A BOX ADD PACKAGING CODE: 1MBOX
 2. FOR USE WITH 4/8 INDENT STRIPPER CRIMPER -
 A. 1000 PARTS TO A REEL ADD PACKAGING CODE: 1MREEL
 B. 5000 PARTS TO A REEL ADD PACKAGING CODE: 5MREEL

L	REVISED ECN BD2619		THW	3-89
K	OBS-2 PER ECN	S 4359	THW	7/169
J	OBS-3 PER ECN	S 4436	THW	4-88
H	REVISED	S 4142	THW	9-87
G	REV PER ECL	B 840	THW	10/77
F	ADDED-3 PER ECN	B 742	THW	5/87
E	NOTE ADDED	B 141	THW	7/87
D	REV. RETAINER SPRING TO SST	Z 208	THW	12-86
C	ADDED - ?	Z 361	THW	1-88
B	REVISED	U-5	THW	8-83
A	REVISED	R/DR	THW	4/86
	REVISED	S 341	THW	5-82
	REVISED	S 111	THW	2-82
	MATZ WAS BRONZE ON RETAINING SPR	S 111	THW	2-82
LTR	REVISION RECORD	ECA	BY	DATE

MATERIAL SEE CALL OUT	DR 11/11/89 12276/1	ENGR 12/28/61
HEAT TREAT H	CHK 1-3-82	APP 12/28/61
FINISH SEE CALL OUT	AMP AMP INCORPORATED HARRISBURG, PENNA.	
NAME #16 PIN CONTACT ASSY SPECIAL SHORT WIRE SIZE #14		
SCALE 10:1	LOC R	NO 201645
		REV L

CUSTOMER DRAWING