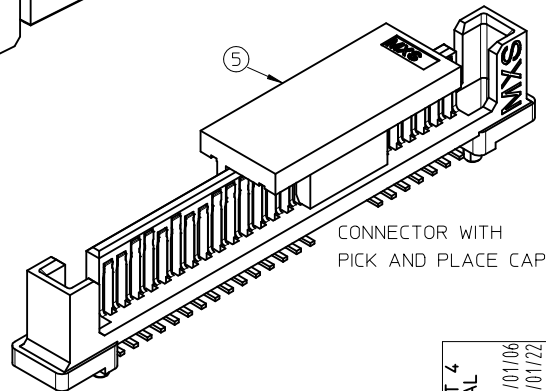
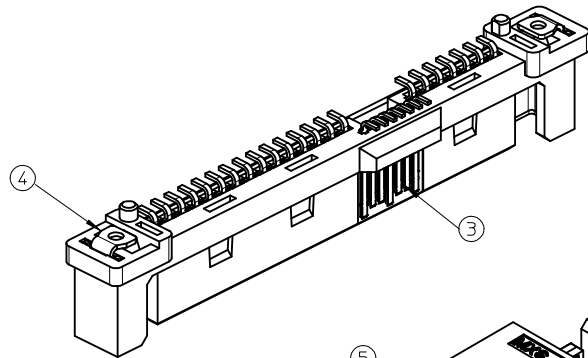
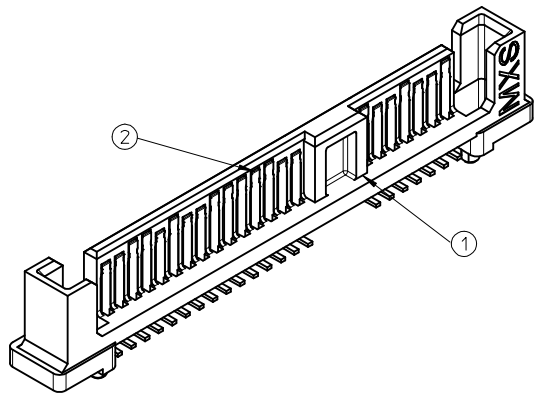


NO.	PART NAME	QTY.	MATERIAL
1	HOUSING	1	NYLON(PA), UL 94V-0, COLOR: BLACK
2	CONTACT A	22	COPPER ALLOY
3	CONTACT B	7	COPPER ALLOY
4	FITTING-NAIL	2	COPPER ALLOY
5	PICK & PLACE CAP	1	PA46, UL 94V-0, COLOR: BLACK



CONNECTOR WITH PICK AND PLACE CAP

NOTES:

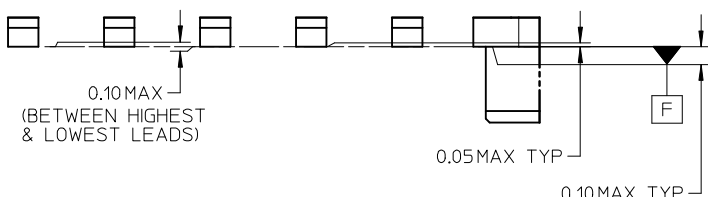
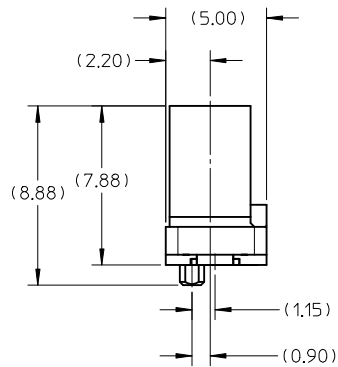
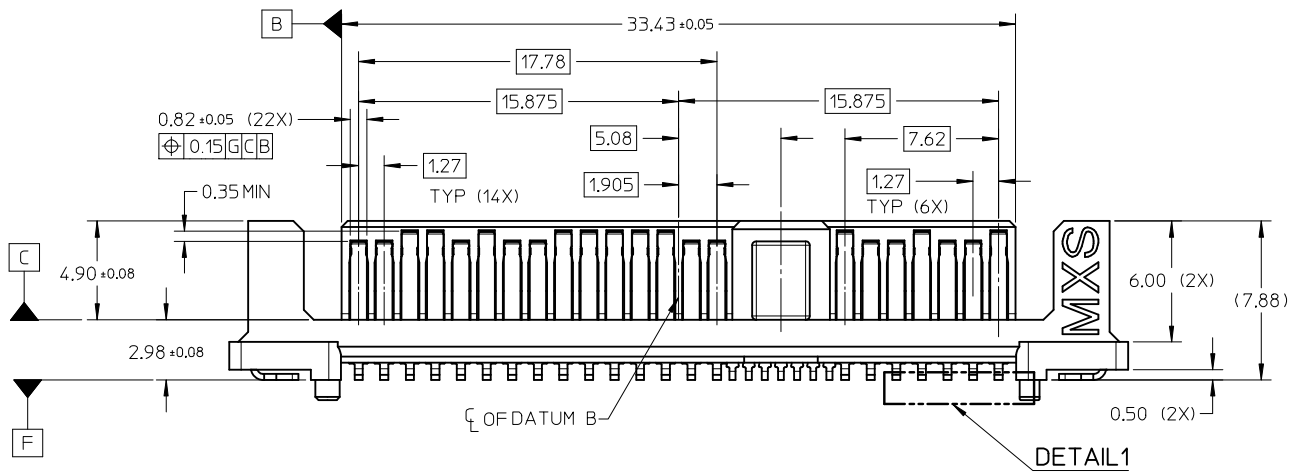
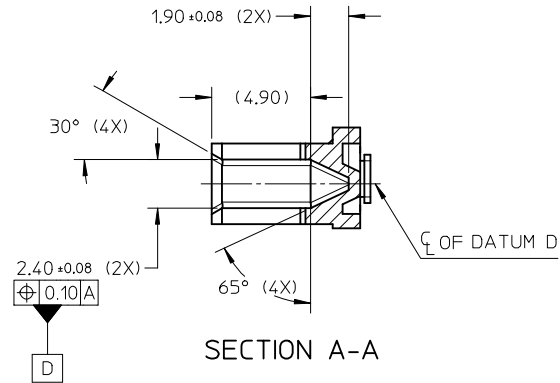
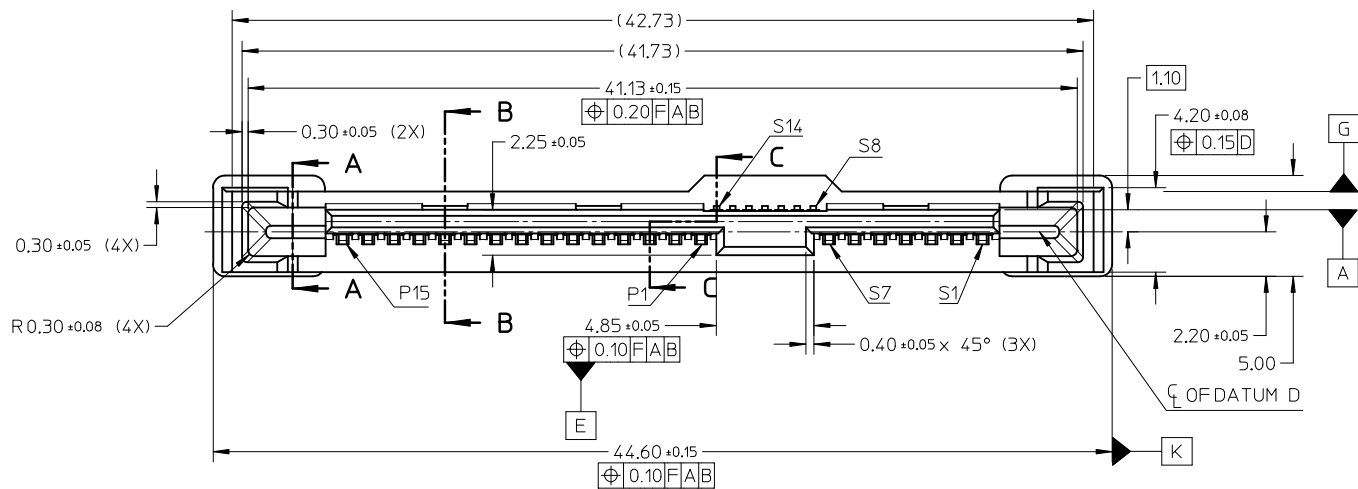
1. MATERIAL: REFER TO THE ABOVE PART-LIST.
2. PLATING SPECIFICATION: REFER TO TABLE-1.
3. APPLICABLE INDUSTRY SPECIFICATION :
SFF-8482 UNSHIELDED DUAL PORT SERIAL ATTACHMENT CONNECTOR.
4. PRODUCT SPECIFICATION: PS-78012-002.
5. PACKING: REFER TO PACKING INFORMATION (SHEET 5/5).
6. DATE CODE FORMAT: YEAR & DAY OF MANUFACTURE.
7. MOLEX LOGO IS LOCATED APPROXIMATELY AS SHOW.
8. MAXIMUM WARPAGE OF 0.13mm OVER THE LENGTH OF THE CONNECTOR IN ANY DIRECTION BEFORE AND AFTER EXPOSURE TO MAX. 260°C FOR 10 SECONDS.

TABLE-1: (CONTACT AND FITTING-NAIL PLATING SPECIFICATION)

PART NAME	MATING AREA	TERMINAL AREA	OTHERS AREA
CONTACT	GOLD (0.764μm MIN.)	TIN (1.914μm MIN.)	NICKEL PLATING
	OVER 1.274μm MIN. NICKEL UNDERPLATE		
FITTING-NAIL	TIN OVER NICKEL UNDERPLATE		

SHT 31C61.17.42 & SHT 4 IF6120.09 TO 3 DECIMAL EC NO: S2014-0634 DRWN:SKANG 2014/01/06 CHKD:MLONG 2014/01/22 APPR:MLONG 2014/01/22	QUALITY SYMBOLS	GENERAL TOLERANCES (UNLESS SPECIFIED)	DIMENSION STYLE MM ONLY	SCALE NTS	DESIGN UNITS METRIC	THIRD ANGLE PROJECTION																										
	$F_A=0$ $F_G=0$ $F_P=0$	<table border="1"> <thead> <tr> <th></th> <th>mm</th> <th>INCH</th> </tr> </thead> <tbody> <tr> <td>4 PLACES</td> <td>± ---</td> <td>± ---</td> </tr> <tr> <td>3 PLACES</td> <td>± ---</td> <td>± ---</td> </tr> <tr> <td>2 PLACES</td> <td>± 0.20</td> <td>± ---</td> </tr> <tr> <td>1 PLACE</td> <td>± ---</td> <td>± ---</td> </tr> </tbody> </table>		mm	INCH	4 PLACES	± ---	± ---	3 PLACES	± ---	± ---	2 PLACES	± 0.20	± ---	1 PLACE	± ---	± ---	<table border="1"> <thead> <tr> <th>mm</th> <th>INCH</th> </tr> </thead> <tbody> <tr> <td>± 0.20</td> <td>± 0.008</td> </tr> <tr> <td>± 0.15</td> <td>± 0.006</td> </tr> <tr> <td>± 0.10</td> <td>± 0.004</td> </tr> <tr> <td>± 0.05</td> <td>± 0.002</td> </tr> </tbody> </table>	mm	INCH	± 0.20	± 0.008	± 0.15	± 0.006	± 0.10	± 0.004	± 0.05	± 0.002	DRAWN BY: CGOH CHECKED BY: CGTAN APPROVED BY: BOKOK	DATE: 2007/01/12 DATE: 2007/02/06 DATE: 2010/02/02	TITLE: SERIAL ATA SCSI (SAS) PLUG, VERTICAL MOUNT SMT	
		mm	INCH																													
	4 PLACES	± ---	± ---																													
3 PLACES	± ---	± ---																														
2 PLACES	± 0.20	± ---																														
1 PLACE	± ---	± ---																														
mm	INCH																															
± 0.20	± 0.008																															
± 0.15	± 0.006																															
± 0.10	± 0.004																															
± 0.05	± 0.002																															
A4	DESCRIPTION	ANGULAR ± 3 °	MATERIAL NO. 78164-1051	DOCUMENT NO. SD-78164-100	MOLEX INCORPORATED																											
	REV	DRAFT WHERE APPLICABLE MUST REMAIN WITHIN DIMENSIONS	SIZE A3	THIS DRAWING CONTAINS INFORMATION THAT IS PROPRIETARY TO MOLEX INCORPORATED AND SHOULD NOT BE USED WITHOUT WRITTEN PERMISSION																												

10 9 8 7 6 5 4 3 2 1



DETAIL1

SHT 31C61 17.42 & SHT 4
 IFC 120.09 TO 3 DECIMAL
 EC NO: S2014-0634
 2014/01/06
 DRWN:SKANG
 2014/01/22
 CHKD:MLONG
 2014/01/22
 APPR:MLONG

REV	DESCRIPTION	QUALITY SYMBOLS
△ _A = 0		
△ _B = 0		
△ _C = 0		

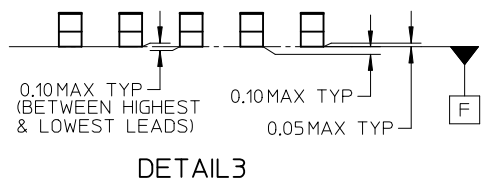
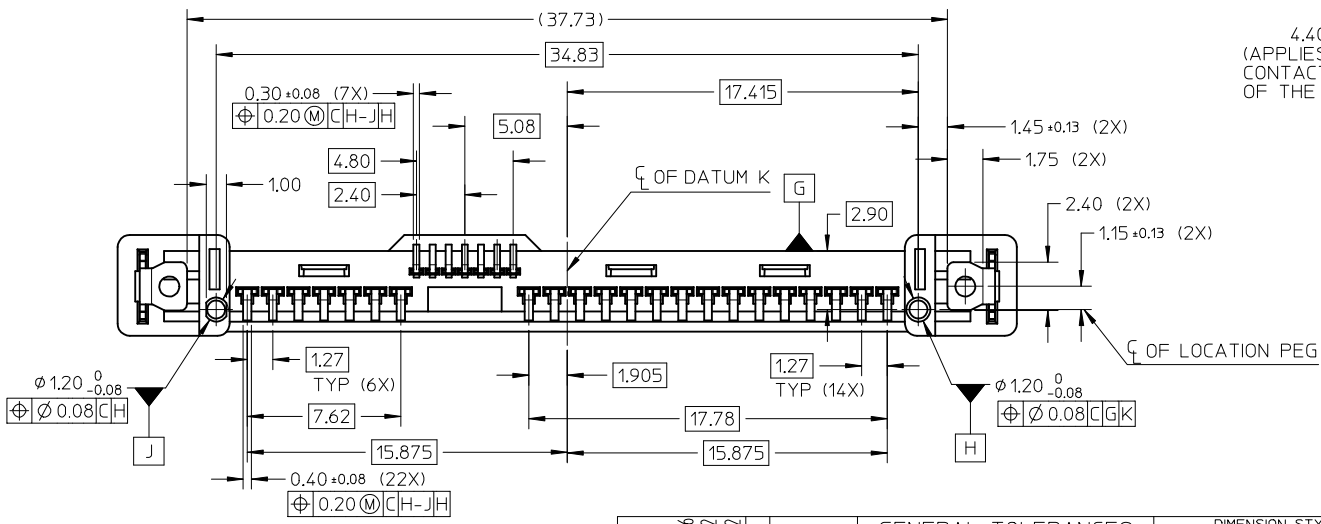
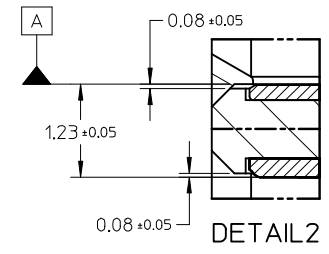
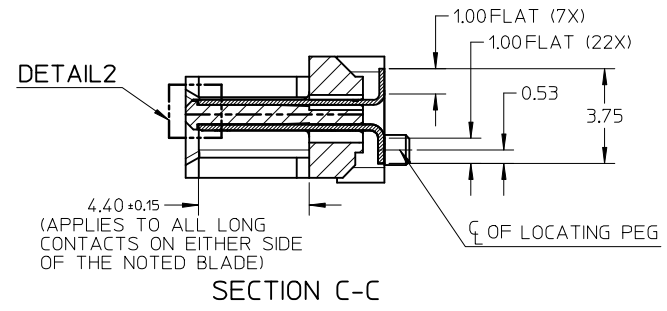
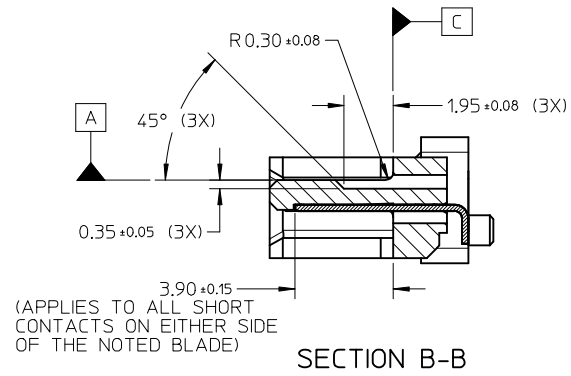
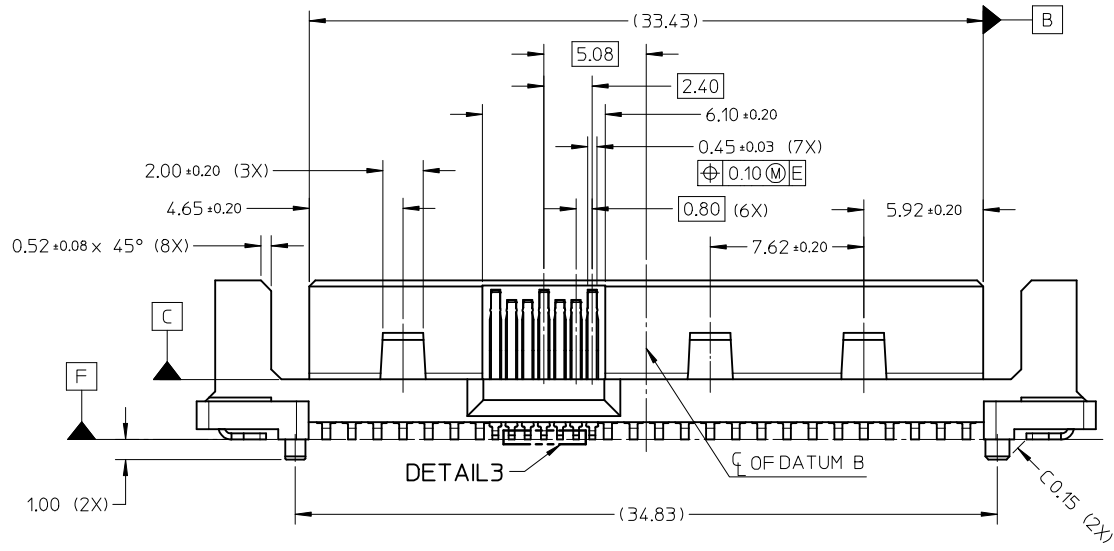
GENERAL TOLERANCES (UNLESS SPECIFIED)	
mm	INCH
4 PLACES ± ---	± ---
3 PLACES ± ---	± ---
2 PLACES ± 0.20	± ---
1 PLACE ± ---	± ---
ANGULAR ± 3°	
DRAFT WHERE APPLICABLE MUST REMAIN WITHIN DIMENSIONS	

DIMENSION STYLE	
MM ONLY	
DRAWN BY	DATE
CGOH	2007/01/12
CHECKED BY	DATE
CGTAN	2007/02/06
APPROVED BY	DATE
BOKOK	2010/02/02
MATERIAL NO.	
78164-1051	

SCALE	DESIGN UNITS	THIRD ANGLE PROJECTION	
NTS	METRIC		
TITLE			
SERIAL ATA SCSI (SAS) PLUG, VERTICAL MOUNT SMT			
MATERIAL NO.		DOCUMENT NO.	
78164-1051		SD-78164-100	
SHEET NO.			
2 OF 5			

9 8 7 6 5 4 3 2 1

10 9 8 7 6 5 4 3 2 1



SHT 31C61 17.42 & SHT 4
 IFC 120.09 TO 3 DECIMAL
 EC NO: S2014-0634
 DRWN:SKANG 2014/01/06
 CHKD:MLONG 2014/01/22
 APPR:MLONG 2014/01/22

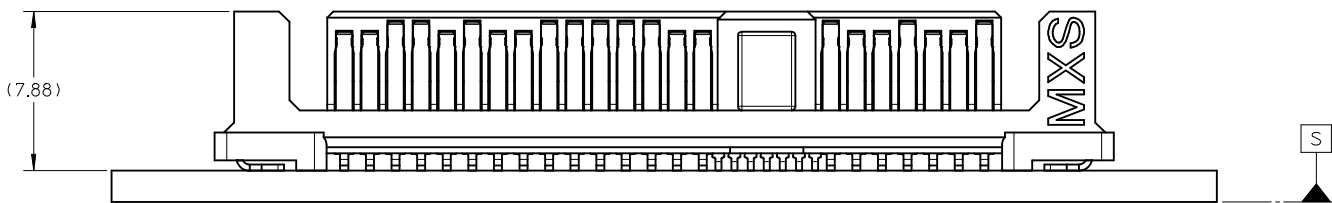
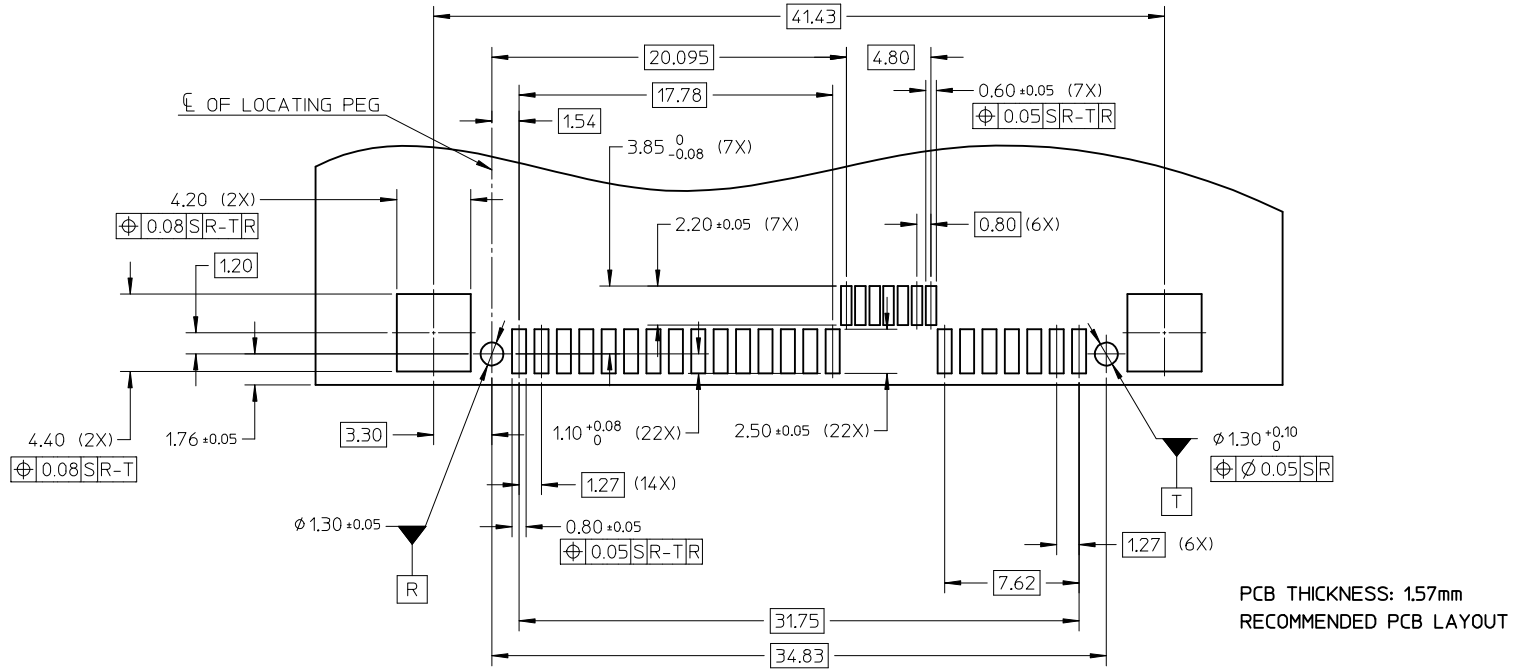
REV	DESCRIPTION
1	QUALITY SYMBOLS
2	QUALITY SYMBOLS
3	QUALITY SYMBOLS

GENERAL TOLERANCES (UNLESS SPECIFIED)	
	mm INCH
4 PLACES	± --- ± ---
3 PLACES	± --- ± ---
2 PLACES	± 0.20 ± ---
1 PLACE	± --- ± ---
ANGULAR ± 3 °	
DRAFT WHERE APPLICABLE MUST REMAIN WITHIN DIMENSIONS	

DIMENSION STYLE	
MM ONLY	
DRAWN BY	DATE
CGOH	2007/01/12
CHECKED BY	DATE
CGTAN	2007/02/06
APPROVED BY	DATE
BOKOK	2010/02/02
MATERIAL NO.	
78164-1051	
SIZE	
A3	

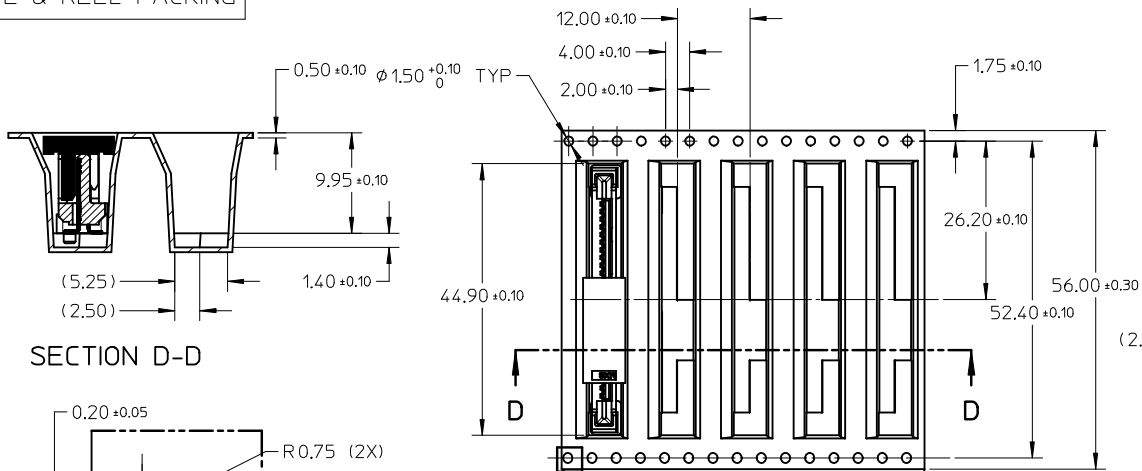
SCALE	DESIGN UNITS	THIRD ANGLE PROJECTION	
NTS	METRIC		
TITLE			
SERIAL ATA SCSI (SAS) PLUG, VERTICAL MOUNT SMT			
MOLEX INCORPORATED			
MATERIAL NO.	DOCUMENT NO.	SHEET NO.	
78164-1051	SD-78164-100	3 OF 5	

9 8 7 6 5 4 3 2 1

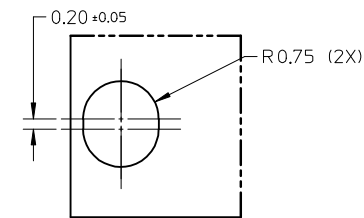


SHT 31C61 17.42 & SHT 4 IFC 120.09 TO 3 DECIMAL EC NO: S2014-0634 DRWN:SKANG 2014/01/06 CHKD:MLONG 2014/01/22 APPR:MLONG 2014/01/22	QUALITY SYMBOLS	GENERAL TOLERANCES (UNLESS SPECIFIED)		DIMENSION STYLE MM ONLY		SCALE NTS	DESIGN UNITS METRIC	THIRD ANGLE PROJECTION	
	$F_A=0$	mm	INCH	DRAWN BY CGOH	DATE 2007/01/12	TITLE SERIAL ATA SCSI (SAS) PLUG, VERTICAL MOUNT SMT			
	$F_G=0$	4 PLACES ± ---	± ---	CHECKED BY CGTAN	DATE 2007/02/06	MATERIAL NO. 78164-1051			
	$F_P=0$	3 PLACES ± ---	± ---	APPROVED BY BOKOK	DATE 2010/02/02	DOCUMENT NO. SD-78164-100		SHEET NO. 4 OF 5	
A4	DESCRIPTION	ANGULAR ± 3 °		DRAFT WHERE APPLICABLE MUST REMAIN WITHIN DIMENSIONS		THIS DRAWING CONTAINS INFORMATION THAT IS PROPRIETARY TO MOLEX INCORPORATED AND SHOULD NOT BE USED WITHOUT WRITTEN PERMISSION			

TAPE & REEL PACKING

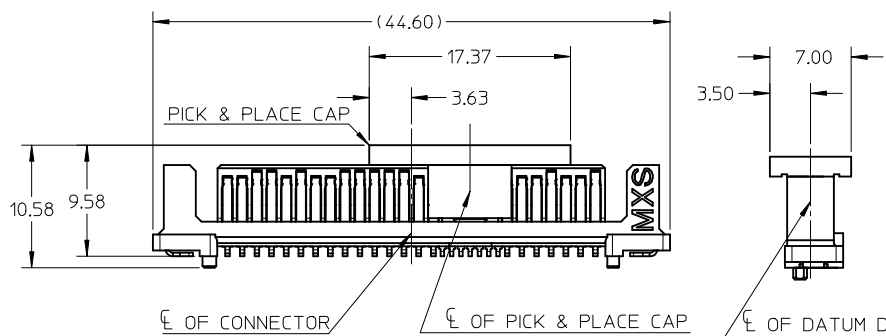
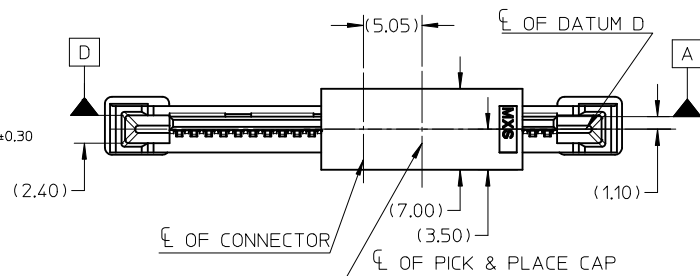
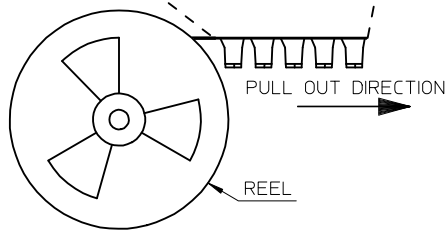


SECTION D-D



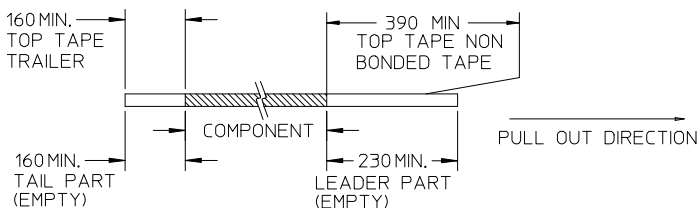
DETAIL 4

DETAIL 4

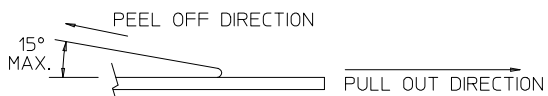


NOTES:

1. LEADER AND TRAILER TAPE



2. PEELING OFF FORCE OF THE TOP TAPE: 20 - 80gf MAX. (PEELING DIRECTION AS SHOWN IN FOLLOWING FIGURE)



- 3. TAPE AND REEL SPECIFICATION IS AS PER EIA-481.
- 4. TAPE AND REEL QUANTITY : 400 PCS/ REEL.
- 5. THE TAPE IS TREATED FOR ANTI-STATIC.

SHT 3IC61 17.42 & SHT 4
 IFC620.09 TO 3 DECIMAL
 EC NO: S2014-0634
 DRWN:SKANG 2014/01/06
 CHKD:MLONG 2014/01/22
 APPR:MLONG 2014/01/22

REV	DESCRIPTION	QUALITY SYMBOLS
A4		$F_A=0$ $F_G=0$ $F_P=0$

GENERAL TOLERANCES (UNLESS SPECIFIED)	
	mm INCH
4 PLACES	± --- ± ---
3 PLACES	± --- ± ---
2 PLACES	± 0.20 ± ---
1 PLACE	± --- ± ---
ANGULAR ± 3 °	
DRAFT WHERE APPLICABLE MUST REMAIN WITHIN DIMENSIONS	

DIMENSION STYLE		SCALE	DESIGN UNITS	THIRD ANGLE PROJECTION
MM ONLY		NTS	METRIC	
DRAWN BY	DATE	TITLE		
CGOH	2007/01/12	SERIAL ATA SCSI (SAS) PLUG, VERTICAL MOUNT SMT		
CHECKED BY	DATE	MOLEX INCORPORATED		
CGTAN	2007/02/06	DOCUMENT NO. SD-78164-100		
APPROVED BY	DATE	SHEET NO. 5 OF 5		
BOKOK	2010/02/02	THIS DRAWING CONTAINS INFORMATION THAT IS PROPRIETARY TO MOLEX INCORPORATED AND SHOULD NOT BE USED WITHOUT WRITTEN PERMISSION		
MATERIAL NO.	78164-1051			