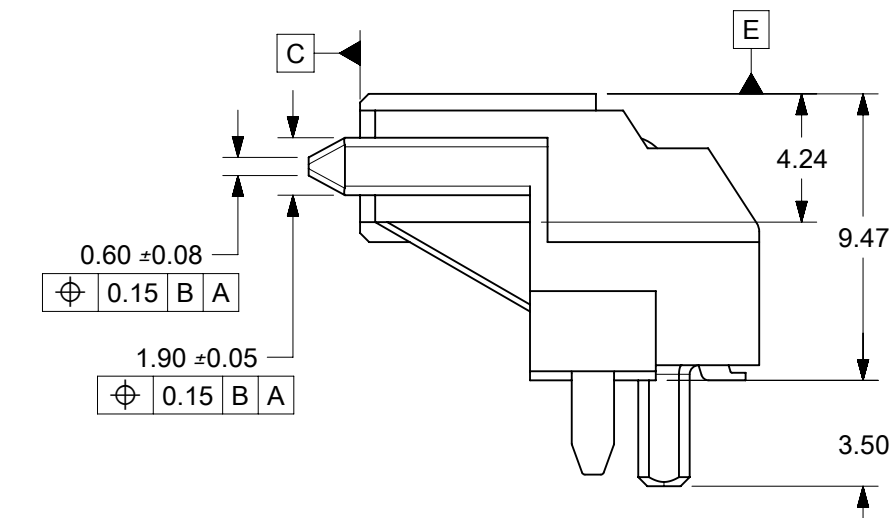
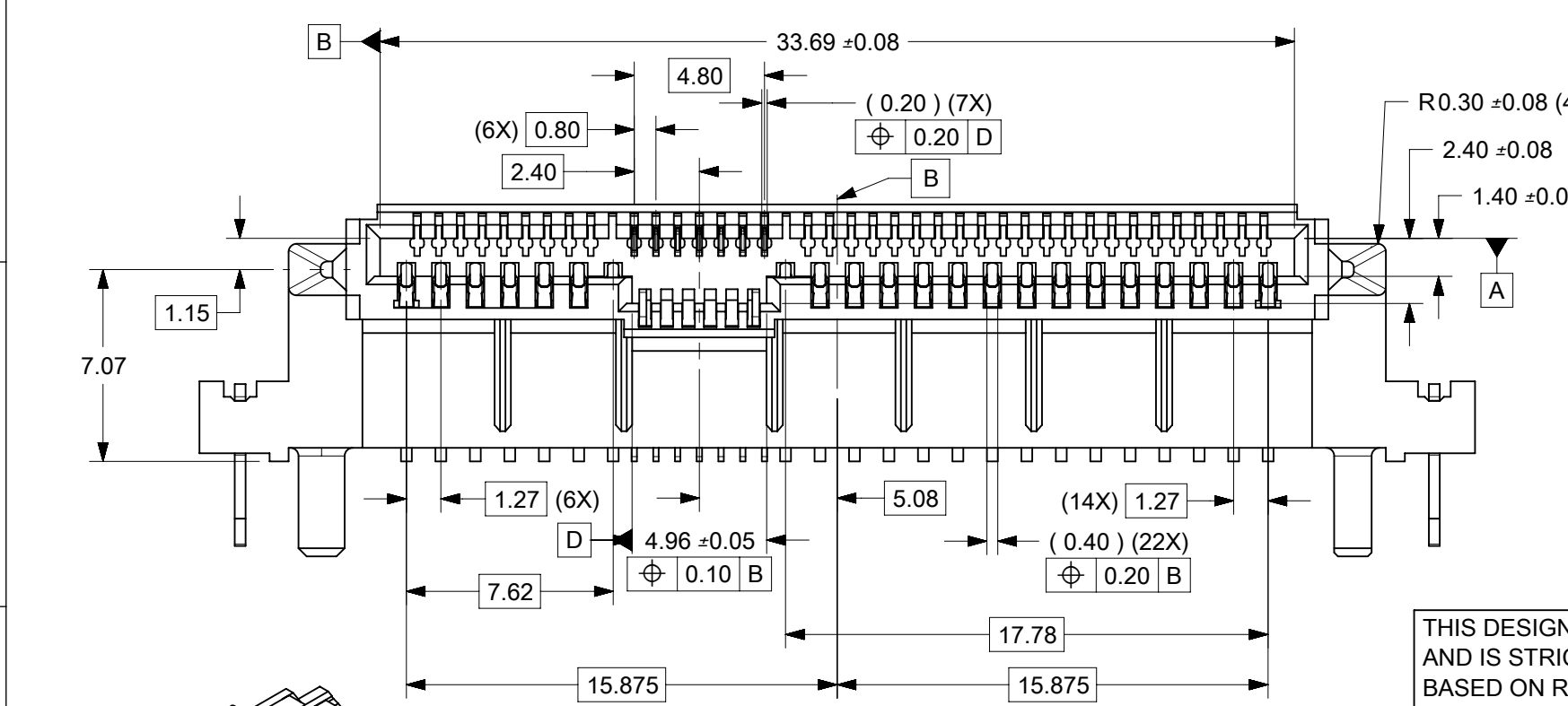
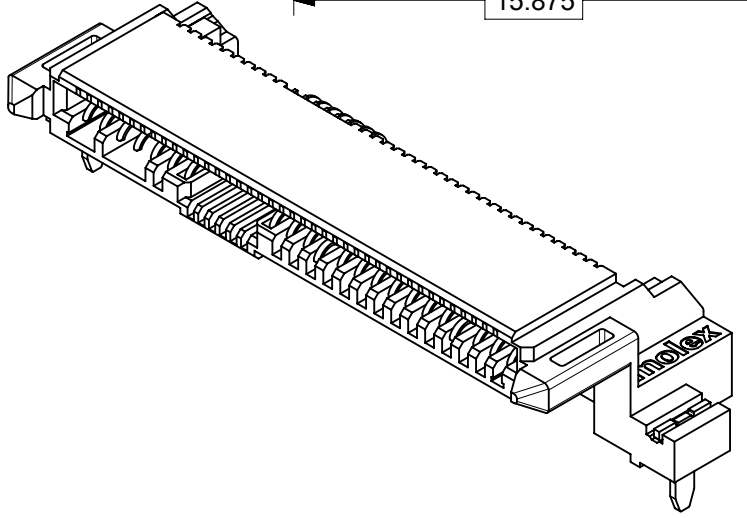


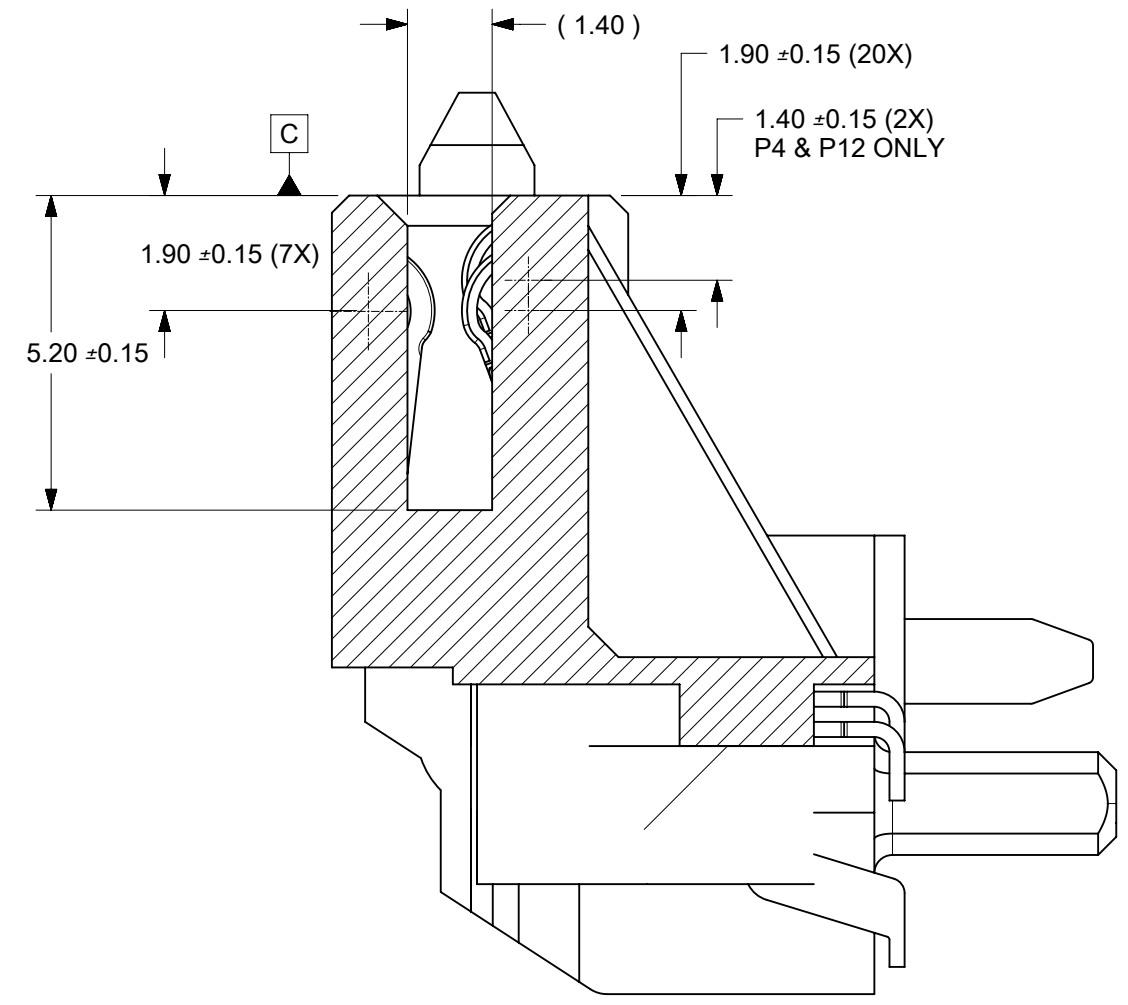
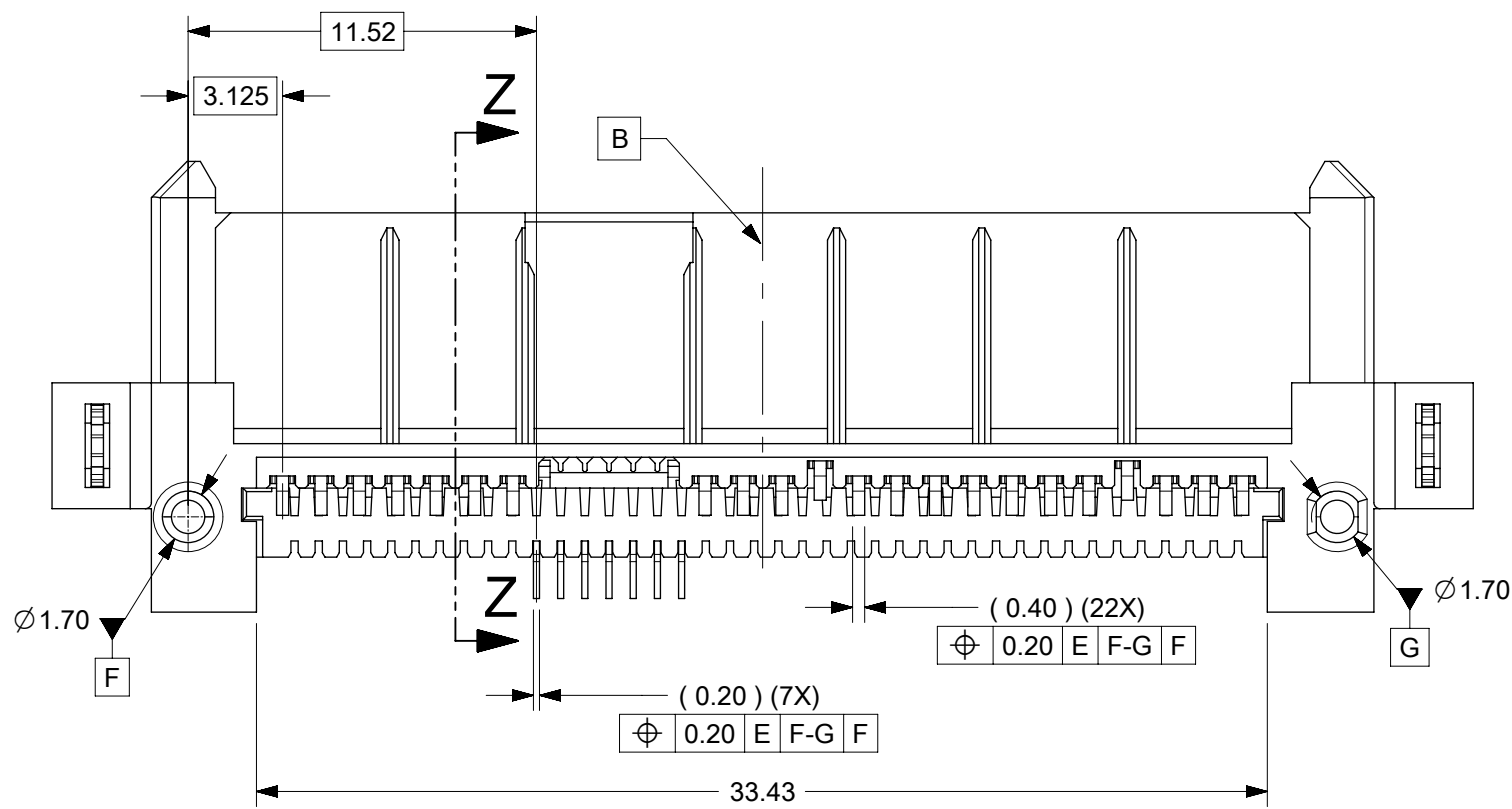
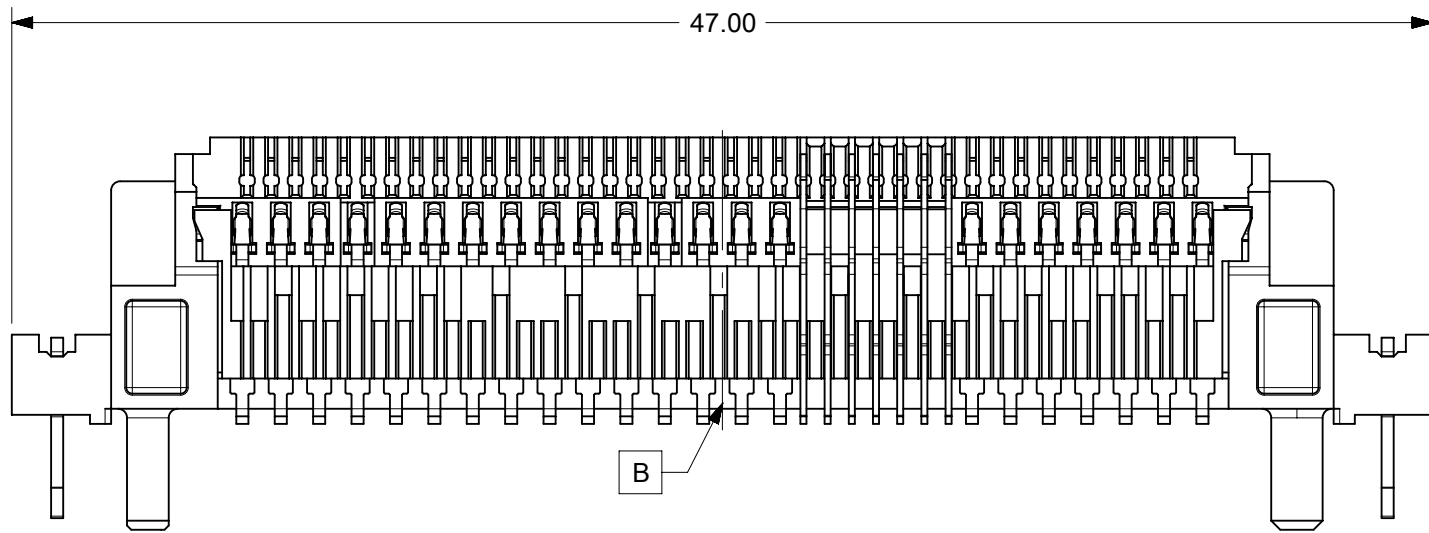
- NOTES:
1. MATERIAL:  
HOUSING: LCP, GLASS FILLED, UL 94V-0, COLOR: BLACK  
TERMINAL: COPPER ALLOY  
PCB HOLD-DOWN: COPPER ALLOY
  2. PLATING:  
TERMINAL:  
CONTACT: 0.76 MICROMETER MIN. GOLD OVER 1.27 MICROMETER MIN. NICKEL UNDERPLATE  
SOLDERTAIL: 2.54 MICROMETER MIN. TIN OVER 1.27 MICROMETER MIN. NICKEL UNDERPLATE  
PCB HOLD-DOWN: 2.54 MICROMETER MIN. TIN OVER 1.27 MICROMETER MIN. NICKEL UNDERPLATE
  3. PRODUCT SPECIFICATION: PS-78717-001.
  4. PACKAGING SPECIFICATION: PK-78717-001.
  5. THIS PRODUCT IS COMPLIANT WITH RoHS DIRECTIVE WITH THE FOLLOWING BANNED SUBSTANCES - LEAD, MERCURY, CADMIUM, HEXAVALENT CHROMIUM, POLYBROMINATED BIPHENYLS AND POLY BROMINATED DIPHENYL ETHERS.
  6. MOLEX LOGO, DATE CODE AND CAVITY ID TO BE LOCATED APPROXIMATELY AS SHOWN.
  7. NON-FUNCTIONAL CORING MAY VARY.
  8. CONNECTOR COMES WITH A CAP TO BE REMOVED AFTER SOLDERING.  
SEE SHEET 4 FOR THE OVERALL OUTLINE OF THE CONNECTOR WITH ITS CAP



THIS DESIGN IS BASED ON DESIGN OBJECTIVES AND IS STRICTLY TENTATIVE. IT MAY CHANGE BASED ON RESULTS OF ADDITIONAL DESIGN REVIEWS AND VERIFICATIONS.



THIS DRAWING CONTAINS INFORMATION THAT IS PROPRIETARY TO MOLEX ELECTRONIC TECHNOLOGIES, LLC AND SHOULD NOT BE USED WITHOUT WRITTEN PERMISSION		CURRENT REV DESC: MIGRATED		<b>molex</b>	
DIMENSION UNITS	SCALE				
mm	NTS			12G SAS RECEPTACLE R/A, SMT, 7.07MM HEIGHT	
GENERAL TOLERANCES (UNLESS SPECIFIED)		EC NO: 636399		PRODUCT CUSTOMER DRAWING	
ANGULAR TOL	± 3.0°	DRWN: ME	2019/05/23	DOCUMENT NUMBER	
4 PLACES	±	CHK'D: JAKEEMEW	2020/04/23	SD-78717-001	
3 PLACES	±	APPR: SHLENI	2020/05/03	DOC TYPE	DOC PART
2 PLACES	± 0.2	INITIAL REVISION:		PSD	001
1 PLACE	±	DRWN: JAKEEMEW	2014/01/09	REVISION	
0 PLACES	±	APPR: JAKEEMEW	2014/12/01	A	
DRAFT WHERE APPLICABLE MUST REMAIN WITHIN DIMENSIONS		THIRD ANGLE PROJECTION	DRAWING	SERIES	MATERIAL NUMBER
			A3-SIZE	78717	SEE TABLE
		CUSTOMER	SHEET NUMBER		
		GENERAL MARKET	1 OF 7		

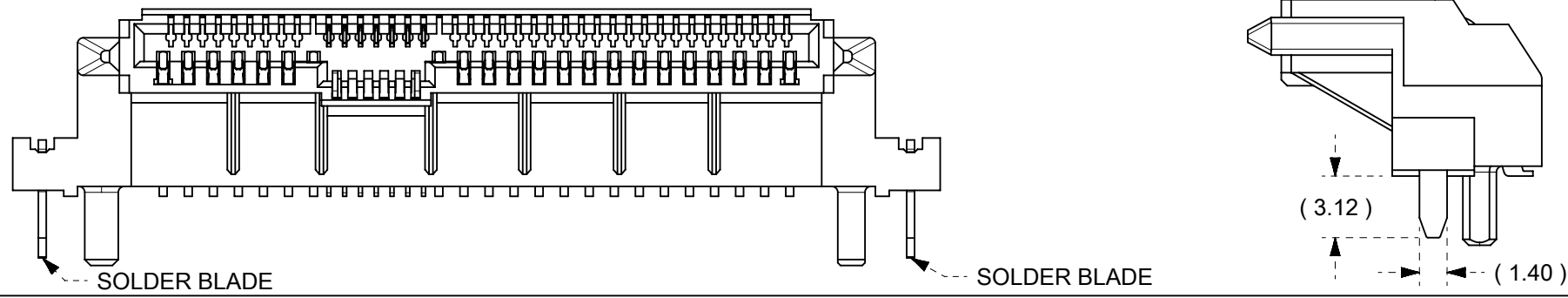


SECTION Z-Z

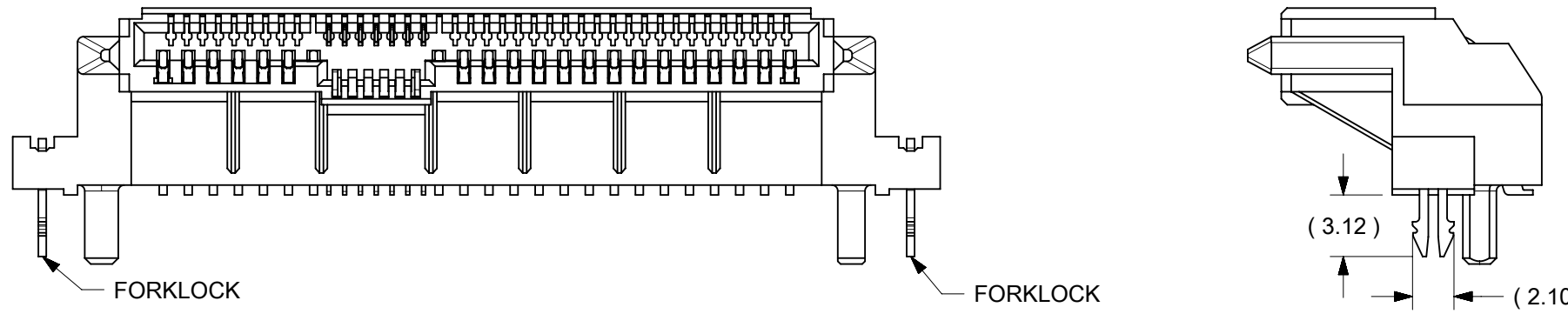
THIS DRAWING CONTAINS INFORMATION THAT IS PROPRIETARY TO MOLEX ELECTRONIC TECHNOLOGIES, LLC AND SHOULD NOT BE USED WITHOUT WRITTEN PERMISSION											
DIMENSION UNITS		SCALE		CURRENT REV DESC: MIGRATED				<b>molex</b>			
mm		NTS									
GENERAL TOLERANCES (UNLESS SPECIFIED)											
ANGULAR TOL ± 3.0°											
4 PLACES ±											
3 PLACES ±											
2 PLACES ± 0.2											
1 PLACE ±											
0 PLACES ±											
DRAFT WHERE APPLICABLE MUST REMAIN WITHIN DIMENSIONS											
THIRD ANGLE PROJECTION		DRAWING		SERIES		MATERIAL NUMBER		CUSTOMER			
		A3-SIZE		78717		SEE TABLE		GENERAL MARKET			
EC NO: 636399				DRWN: ME		2019/05/23		12G SAS RECEPTACLE R/A, SMT, 7.07MM HEIGHT  PRODUCT CUSTOMER DRAWING  DOCUMENT NUMBER: SD-78717-001 DOC TYPE: PSD DOC PART: 001 REVISION: A			
CHK'D: JAKEEMEW				2020/04/23		APPR: SHLENI				2020/05/03	
INITIAL REVISION:				DRWN: JAKEEMEW		2014/01/09				APPR: JAKEEMEW	
DOCUMENT STATUS		P1		RELEASE DATE		2020/05/03		00:10:47			

# PCB HOLD-DOWN CONFIGURATION

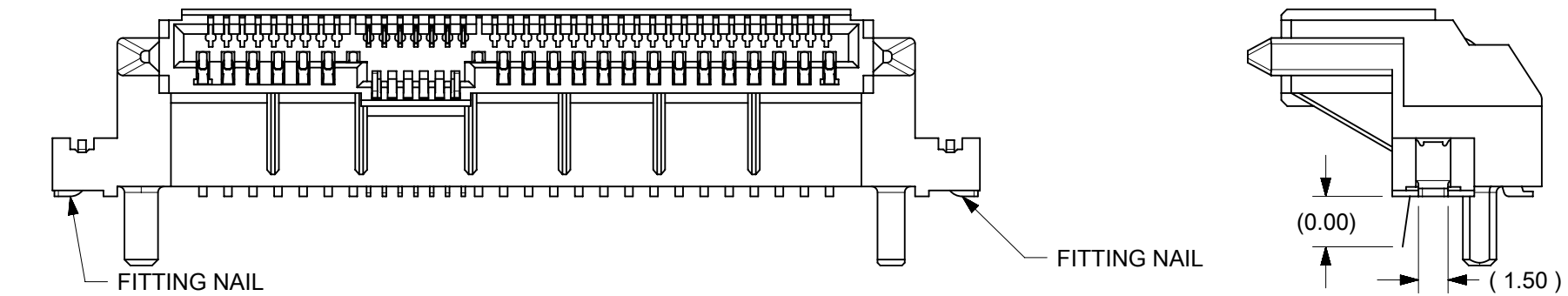
## FRONT AND SIDE VIEW OF TYPE A (SOLDER BLADE)



## FRONT AND SIDE VIEW OF TYPE B (FORKLOCK)

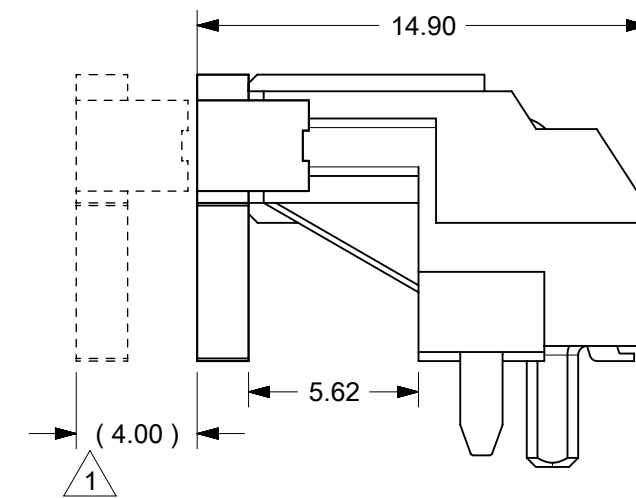
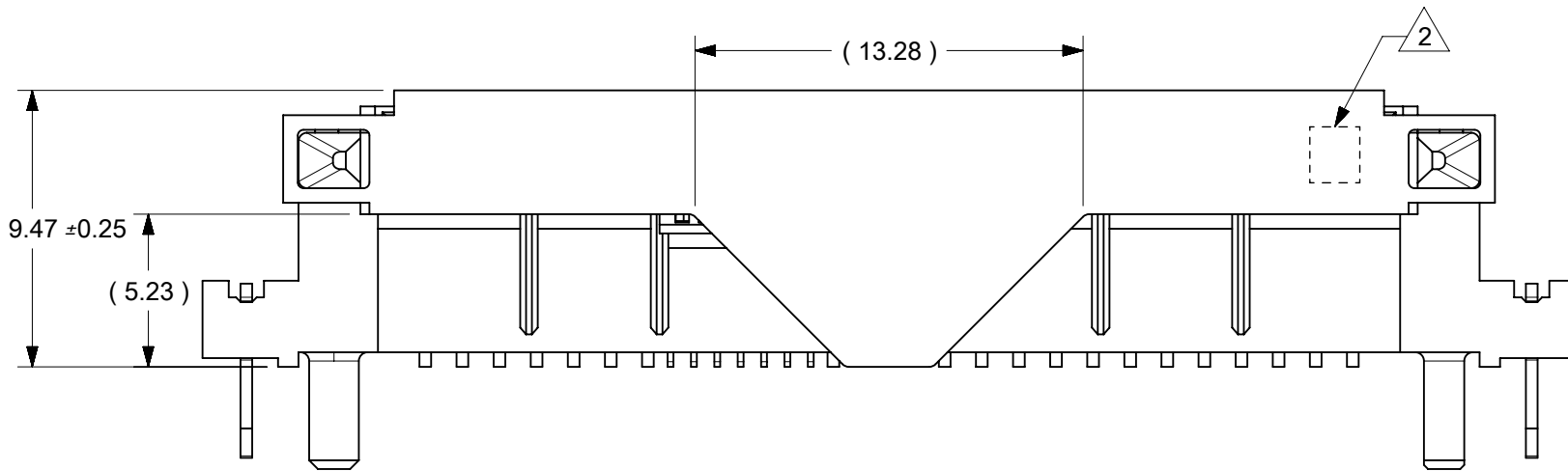
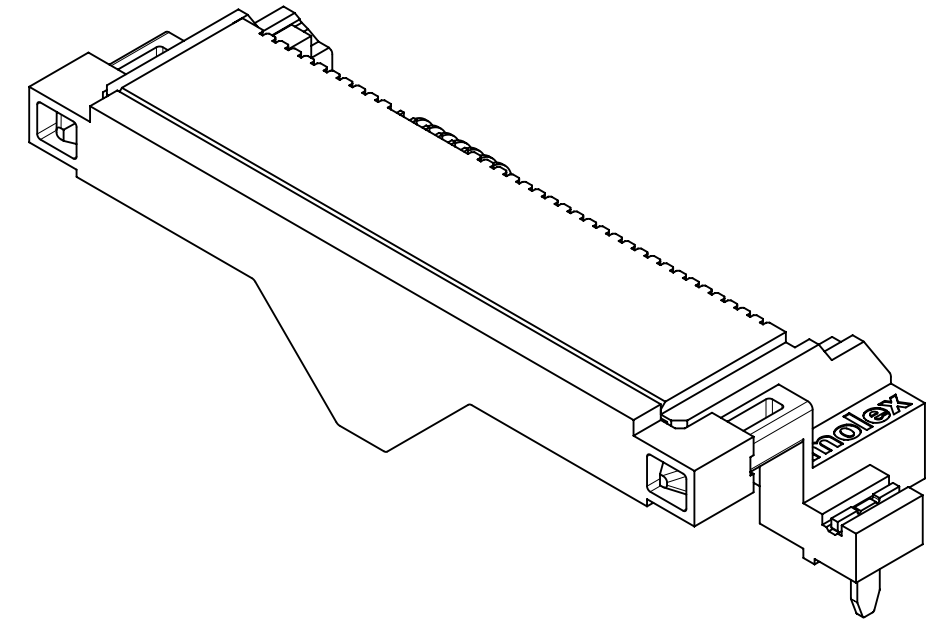
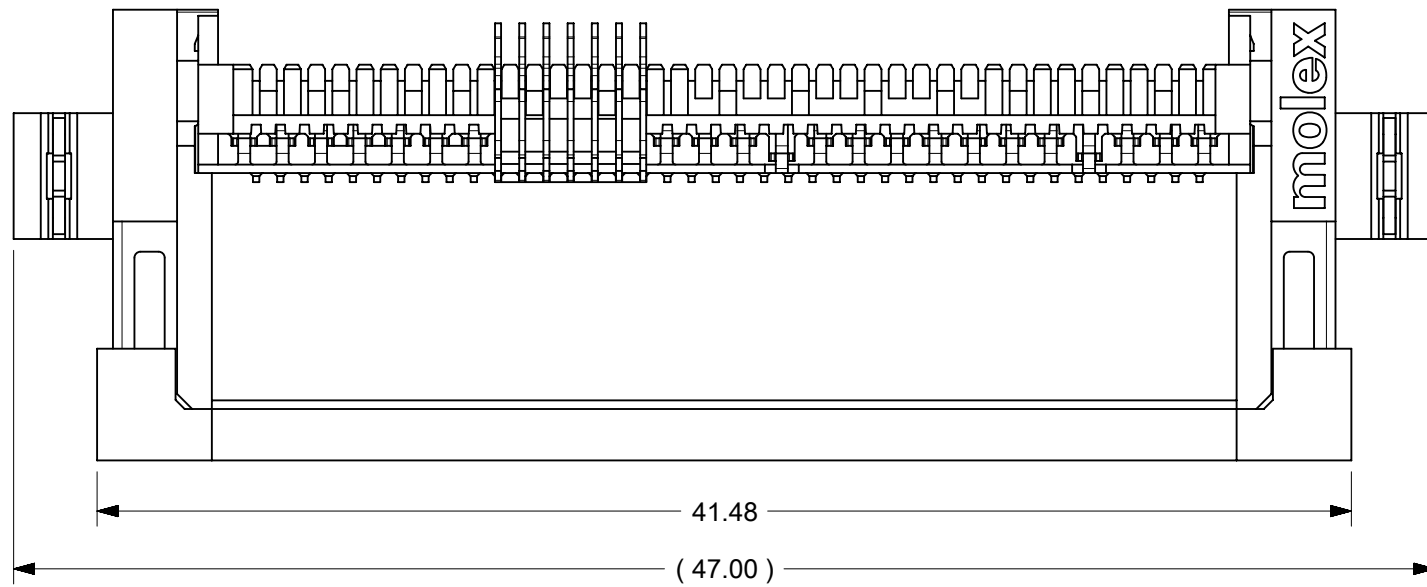


## FRONT AND SIDE VIEW OF TYPE C (FITTING NAIL)



THIS DRAWING CONTAINS INFORMATION THAT IS PROPRIETARY TO MOLEX ELECTRONIC TECHNOLOGIES, LLC AND SHOULD NOT BE USED WITHOUT WRITTEN PERMISSION		CURRENT REV DESC: MIGRATED		<b>molex</b>	
DIMENSION UNITS	SCALE				
mm	NTS			PRODUCT CUSTOMER DRAWING	
GENERAL TOLERANCES (UNLESS SPECIFIED)		EC NO: 636399		DOCUMENT NUMBER	
ANGULAR TOL	± 3.0°	DRWN: ME	2019/05/23	SD-78717-001	
4 PLACES	±	CHK'D: JAKEEMEW	2020/04/23	DOC TYPE	DOC PART
3 PLACES	±	APPR: SHLENI	2020/05/03	PSD	001
2 PLACES	± 0.2	INITIAL REVISION:		REVISION	
1 PLACE	±	DRWN: JAKEEMEW	2014/01/09	A	
0 PLACES	±	APPR: JAKEEMEW	2014/12/01		
DRAFT WHERE APPLICABLE MUST REMAIN WITHIN DIMENSIONS		THIRD ANGLE PROJECTION	DRAWING	SERIES	MATERIAL NUMBER
			A3-SIZE	78717	CUSTOMER
					GENERAL MARKET
					SHEET NUMBER
					3 OF 7

# CONNECTOR OUTLINE WITH CAP

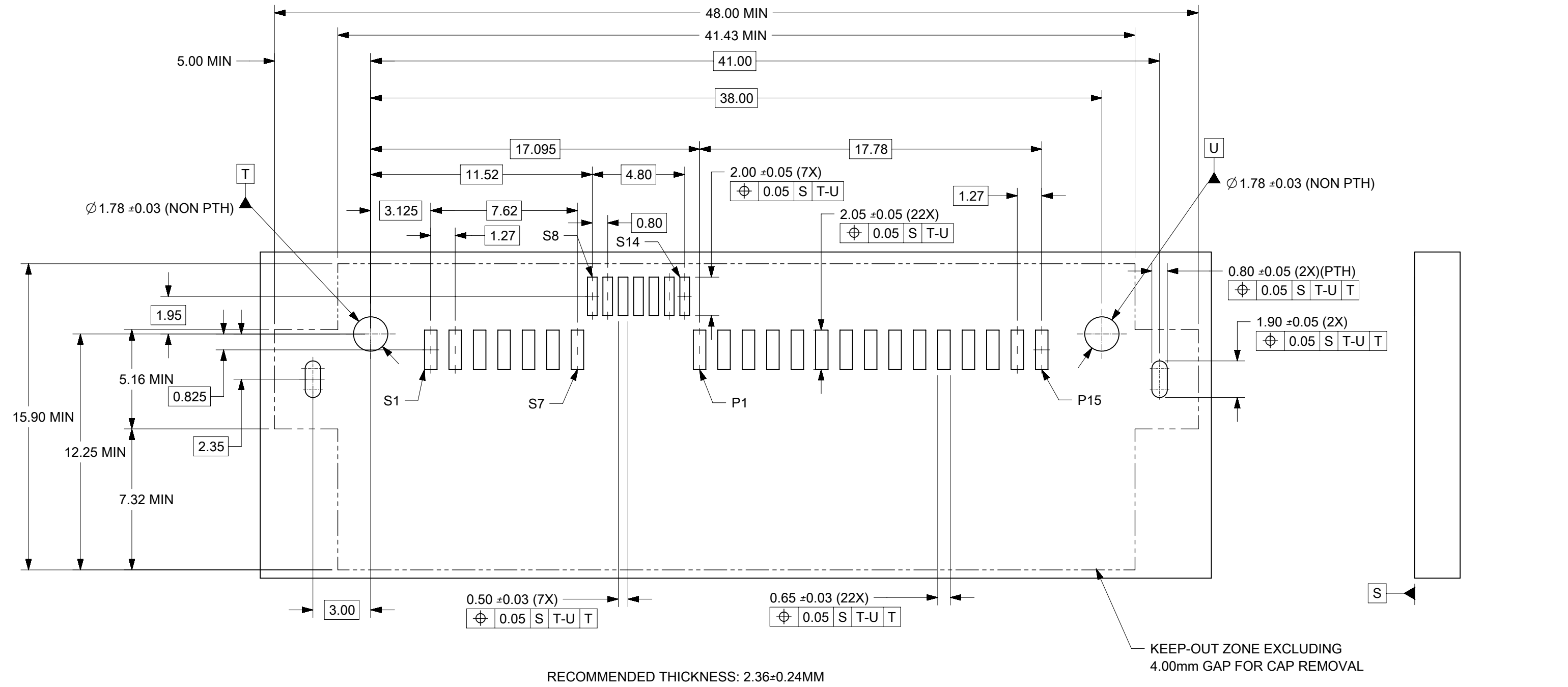


**NOTES:**

- 1. ALLOW A GAP OF 4.00MM IN FRONT OF THE CONNECTOR FOR CAP REMOVAL
- 2. CAP CAVITY NUMBER (NUMERIC VALUE)

THIS DRAWING CONTAINS INFORMATION THAT IS PROPRIETARY TO MOLEX ELECTRONIC TECHNOLOGIES, LLC AND SHOULD NOT BE USED WITHOUT WRITTEN PERMISSION		CURRENT REV DESC: MIGRATED		<b>molex</b>	
DIMENSION UNITS	SCALE				
mm	NTS			12G SAS RECEPTACLE R/A, SMT, 7.07MM HEIGHT	
GENERAL TOLERANCES (UNLESS SPECIFIED)		EC NO: 636399		PRODUCT CUSTOMER DRAWING	
ANGULAR TOL	± 3.0°	DRWN: ME	2019/05/23		
4 PLACES	±	CHK'D: JAKEEMEW	2020/04/23		
3 PLACES	±	APPR: SHLENI	2020/05/03		
2 PLACES	± 0.2	INITIAL REVISION:		DOCUMENT NUMBER	
1 PLACE	±	DRWN: JAKEEMEW	2014/01/09	SD-78717-001	DOC TYPE
0 PLACES	±	APPR: JAKEEMEW	2014/12/01	PSD	DOC PART
DRAFT WHERE APPLICABLE MUST REMAIN WITHIN DIMENSIONS		THIRD ANGLE PROJECTION	DRAWING	SERIES	MATERIAL NUMBER
			A3-SIZE	78717	CUSTOMER
					GENERAL MARKET
					SHEET NUMBER
					4 OF 7

# RECOMMENDED PCB LAYOUT - TYPE 1 (FOR PCB HOLD-DOWN TYPE A & B)

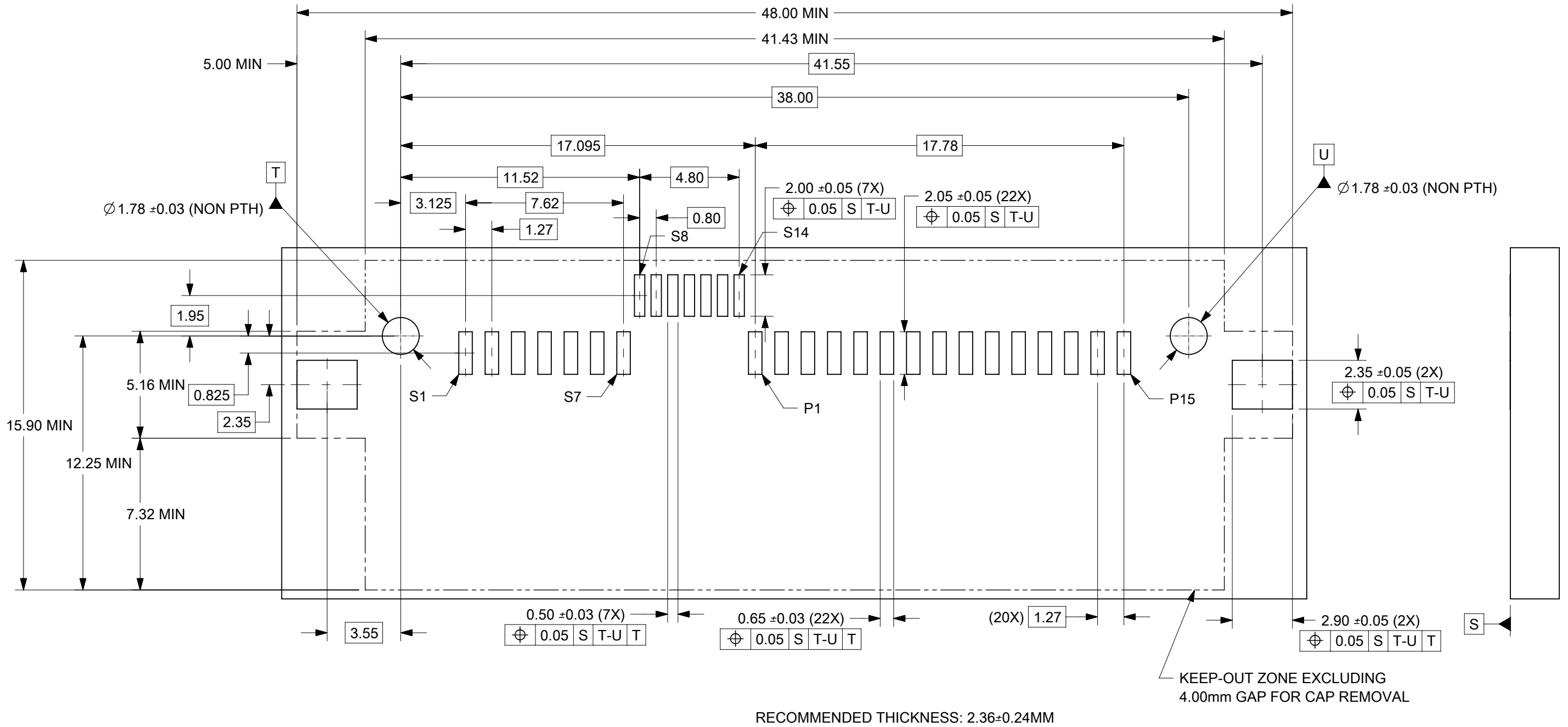


RECOMMENDED THICKNESS: 2.36±0.24MM

KEEP-OUT ZONE EXCLUDING  
4.00mm GAP FOR CAP REMOVAL

THIS DRAWING CONTAINS INFORMATION THAT IS PROPRIETARY TO MOLEX ELECTRONIC TECHNOLOGIES, LLC AND SHOULD NOT BE USED WITHOUT WRITTEN PERMISSION		CURRENT REV DESC: MIGRATED		<b>molex</b>	
DIMENSION UNITS	SCALE				
mm	NTS			12G SAS RECEPTACLE R/A, SMT, 7.07MM HEIGHT	
GENERAL TOLERANCES (UNLESS SPECIFIED)				PRODUCT CUSTOMER DRAWING	
ANGULAR TOL	± 3.0°	EC NO:	636399	DOCUMENT NUMBER	
4 PLACES	±	DRWN:	ME 2019/05/23	SD-78717-001	
3 PLACES	±	CHK'D:	JAKEEMEW 2020/04/23	DOC TYPE	DOC PART
2 PLACES	± 0.2	APPR:	SHLENI 2020/05/03	PSD	001
1 PLACE	±	INITIAL REVISION:		REVISION	A
0 PLACES	±	DRWN:	JAKEEMEW 2014/01/09		
DRAFT WHERE APPLICABLE MUST REMAIN WITHIN DIMENSIONS		APPR:	JAKEEMEW 2014/12/01		
THIRD ANGLE PROJECTION		DRAWING	SERIES	MATERIAL NUMBER	CUSTOMER
		A3-SIZE	78717	SEE TABLE	GENERAL MARKET
		SHEET NUMBER		5 OF 7	

# RECOMMENDED PCB LAYOUT - TYPE 2 (FOR PCB HOLD-DOWN TYPE C)



RECOMMENDED THICKNESS: 2.36±0.24MM

KEEP-OUT ZONE EXCLUDING  
4.00mm GAP FOR CAP REMOVAL

THIS DRAWING CONTAINS INFORMATION THAT IS PROPRIETARY TO MOLEX ELECTRONIC TECHNOLOGIES, LLC AND SHOULD NOT BE USED WITHOUT WRITTEN PERMISSION		CURRENT REV DESC: MIGRATED		<b>molex</b>	
DIMENSION UNITS <b>mm</b>	SCALE <b>NTS</b>	EC NO: 636399		12G SAS RECEPTACLE R/A, SMT, 7.07MM HEIGHT	
GENERAL TOLERANCES (UNLESS SPECIFIED)		DRWN: ME	2019/05/23	PRODUCT CUSTOMER DRAWING	
ANGULAR TOL	± 3.0°	CHK'D: JAKEEMEW	2020/04/23		
4 PLACES	±	APPR: SHLENI	2020/05/03	DOCUMENT NUMBER <b>SD-78717-001</b>	
3 PLACES	±	INITIAL REVISION:			
2 PLACES	± 0.2	DRWN: JAKEEMEW		DOC TYPE	DOC PART
1 PLACE	±	APPR: JAKEEMEW		PSD	001
0 PLACES	±	2014/01/09		REVISION	A
DRAFT WHERE APPLICABLE MUST REMAIN WITHIN DIMENSIONS		THIRD ANGLE PROJECTION	DRAWING	SERIES	MATERIAL NUMBER
		⊕	A3-SIZE	78717	SEE TABLE
				CUSTOMER	SHEET NUMBER
				GENERAL MARKET	6 OF 7

PRODUCT NUMBER	PLATING	HOLD-DOWN	RECOMMENDED PCB LAYOUT
78717-0001	SEE NOTE 2	TYPE A	TYPE 1
78717-0002		TYPE B	
78717-0003		TYPE C	TYPE 2

THIS DRAWING CONTAINS INFORMATION THAT IS PROPRIETARY TO MOLEX ELECTRONIC TECHNOLOGIES, LLC AND SHOULD NOT BE USED WITHOUT WRITTEN PERMISSION									
DIMENSION UNITS	SCALE	CURRENT REV DESC: MIGRATED				<b>molex</b>			
mm	NTS								
GENERAL TOLERANCES (UNLESS SPECIFIED)		EC NO: 636399				12G SAS RECEPTACLE R/A, SMT, 7.07MM HEIGHT			
ANGULAR TOL	± 3.0 °	DRWN: ME 2019/05/23							
4 PLACES	±	CHK'D: JAKEEMEW 2020/04/23				PRODUCT CUSTOMER DRAWING			
3 PLACES	±	APPR: SHLENI 2020/05/03							
2 PLACES	± 0.2	INITIAL REVISION:				DOCUMENT NUMBER: SD-78717-001			
1 PLACE	±	DRWN: JAKEEMEW 2014/01/09							
0 PLACES	±	APPR: JAKEEMEW 2014/12/01				DOC TYPE: PSD			
DRAFT WHERE APPLICABLE MUST REMAIN WITHIN DIMENSIONS		THIRD ANGLE PROJECTION	DRAWING	SERIES	MATERIAL NUMBER	CUSTOMER	SHEET NUMBER		
			A3-SIZE	78717	SEE TABLE	GENERAL MARKET	7 OF 7		

DOCUMENT STATUS	P1	RELEASE DATE	2020/05/03	00:10:47
-----------------	----	--------------	------------	----------