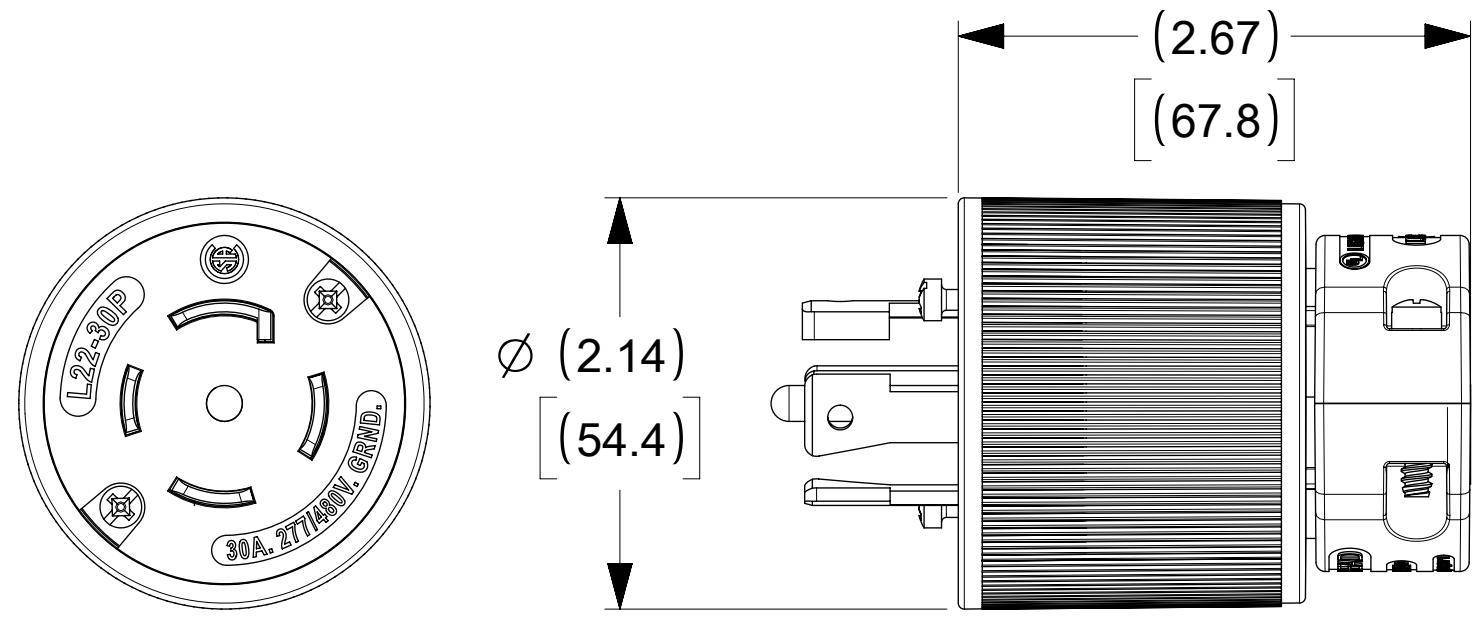
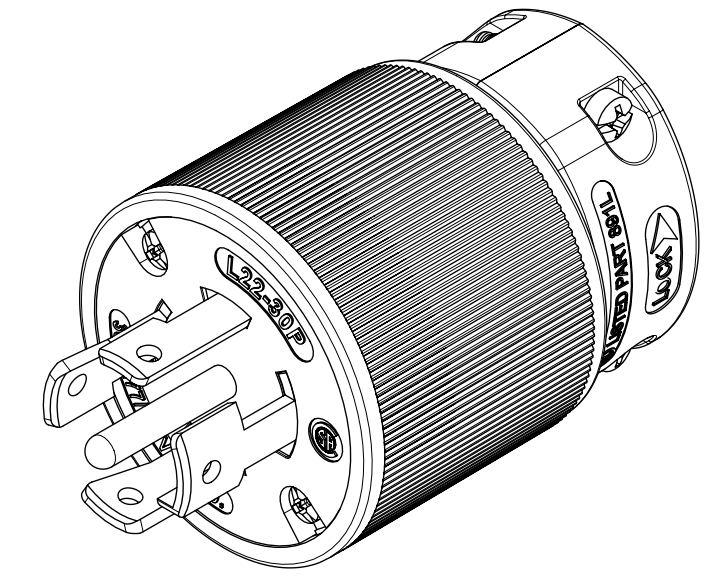
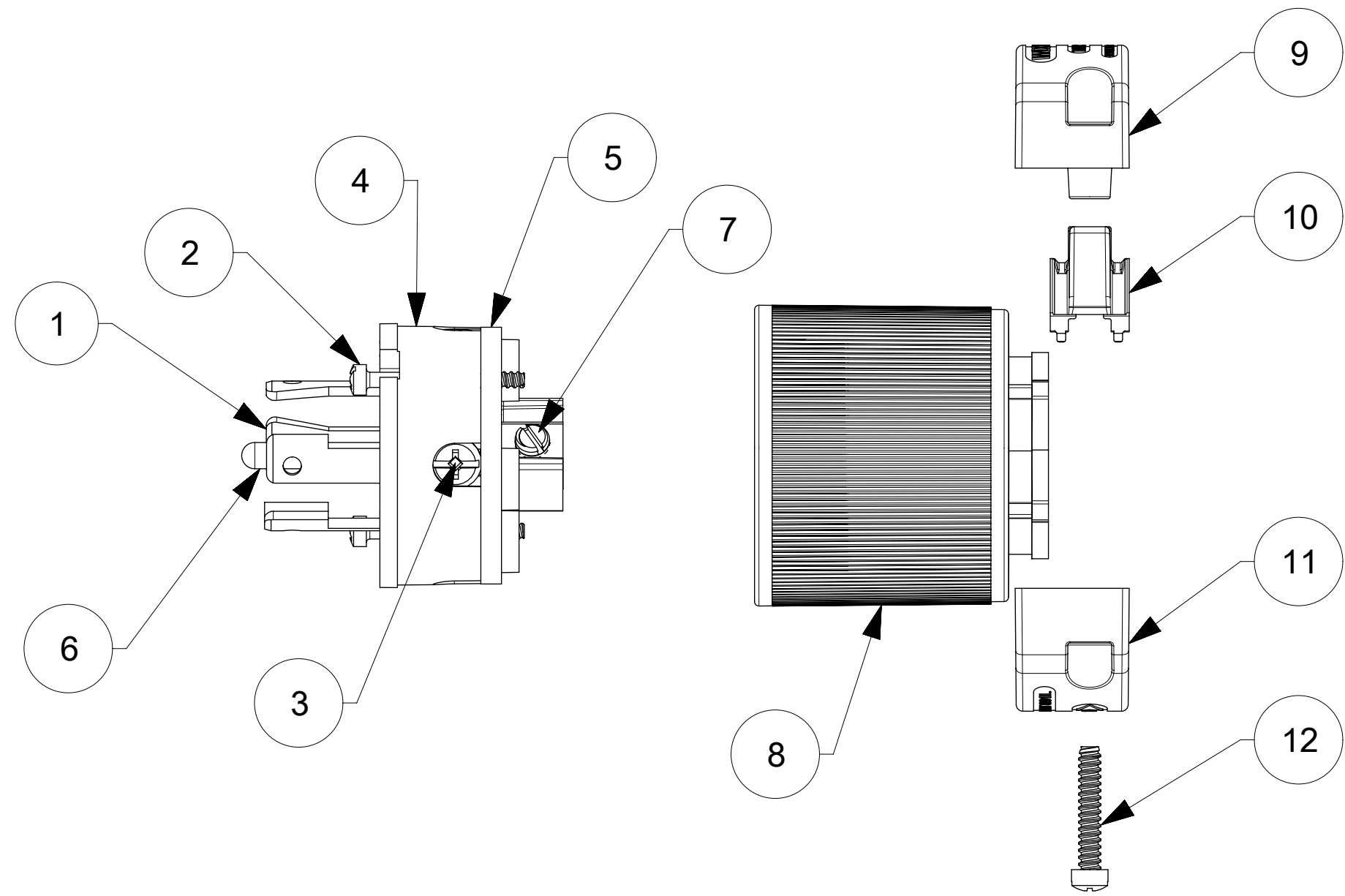
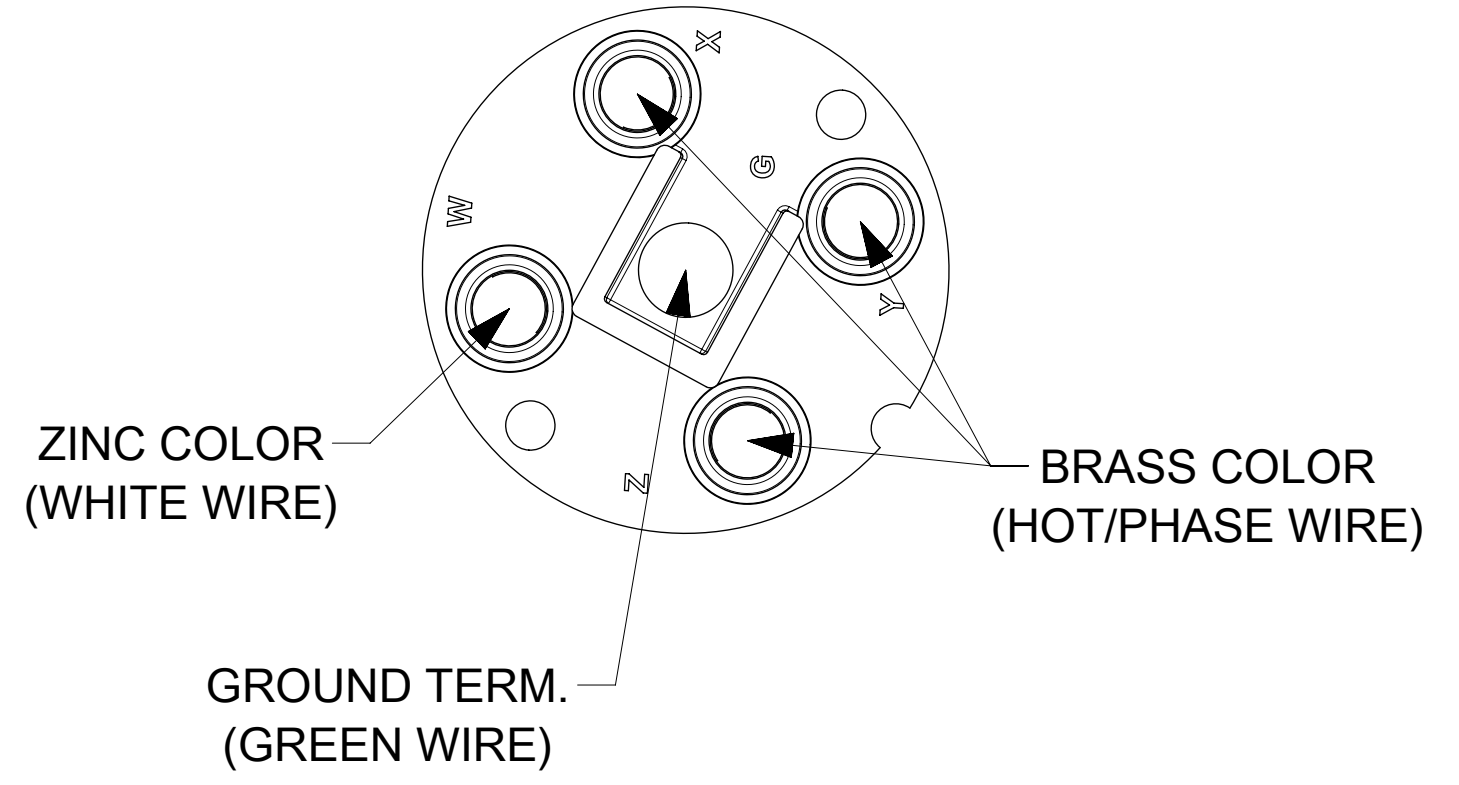


ORDER NO.	WOODHEAD NO.	COLOR
130145-0062	28T82	BLACK
130145-0063	28T82YL	YELLOW



FACE VIEW

WIRING TERMINATION



ITEM NO.	DESCRIPTIONS	MATERIAL	QTY.
1	BLADES	BRASS, NICKEL PLATED	4
2	RETAINING SCREWS	STAINLESS STEEL	2
3	TERMINAL SCREWS/CLAMP ASSEMBLY	BRASS, ZINC PLATED	4
4	INSERT	NYLON	1
5	TERMINAL COVER	POLYCARBONATE	1
6	GROUND PIN	BRASS, NICKEL PLATED	1
7	SET SCREW	STAINLESS STEEL	1
8	HOUSING	NYLON	1
9	CLAMP CORD MALE	NYLON	1
10	CLAMP CORD INSERT	NYLON	1
11	CLAMP CORD FEMALE	NYLON	1
12	RETAINING SCREWS	STAINLESS STEEL	2

FUNCTIONAL SYMBOLS FA = 0 FC = 0 FP = 0 DIVISIONAL SYMBOLS	THIS DRAWING CONTAINS INFORMATION THAT IS PROPRIETARY TO MOLEX ELECTRONIC TECHNOLOGIES, LLC AND SHOULD NOT BE USED WITHOUT WRITTEN PERMISSION		CURRENT REV DESC: NEW RELEASE	
	DIMENSION UNITS: INCH SCALE: NTS		EC NO: 628015 DRWN: VBASUTHKARP CHK'D: DNGUYEN62 APPR: HKNEELAND	
	GENERAL TOLERANCES (UNLESS SPECIFIED) 4 PLACES ± 3 PLACES ± 2 PLACES ± 1 PLACE ± 0 PLACES ±		2018/12/10 2021/09/20 2021/10/29	
	ANGULAR TOL ± ° DRAFT WHERE APPLICABLE MUST REMAIN WITHIN DIMENSIONS		INITIAL REVISION: DRWN: DRAWN BY APPR: APPR BY	
THIRD ANGLE PROJECTION		DRAWING SERIES: C-SIZE 130145		
DOCUMENT NUMBER: 1301450062		DOC TYPE: PSD DOC PART: 000 REVISION: A		
MATERIAL NUMBER: 130145		CUSTOMER: GENERAL MARKET SHEET NUMBER: 1 OF 1		