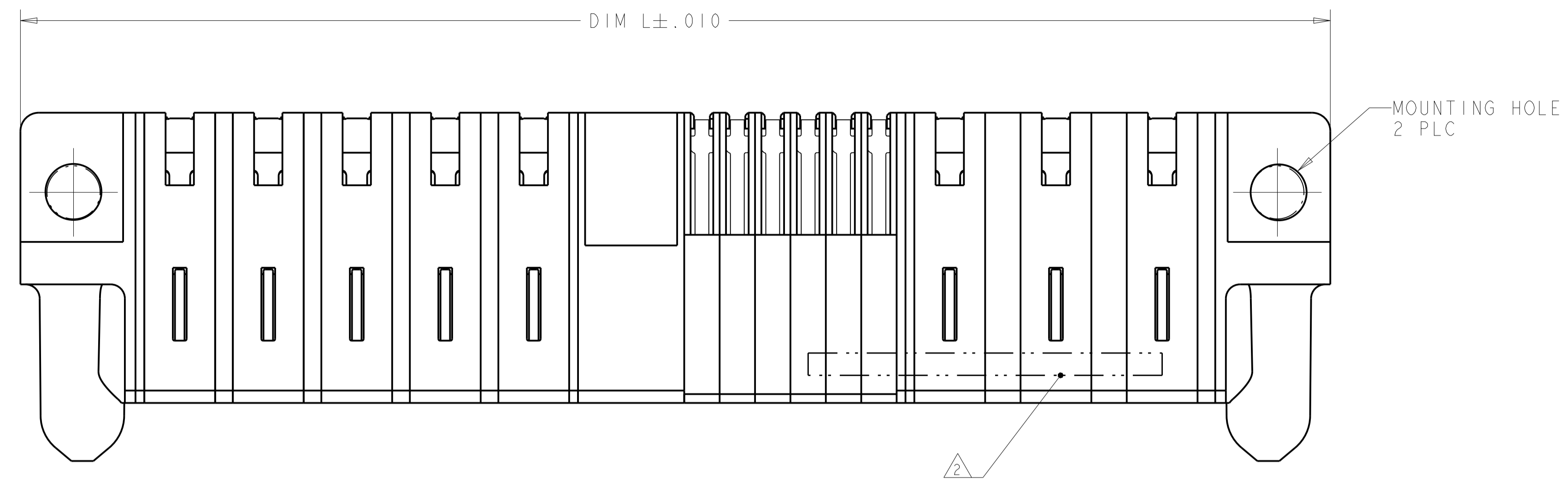
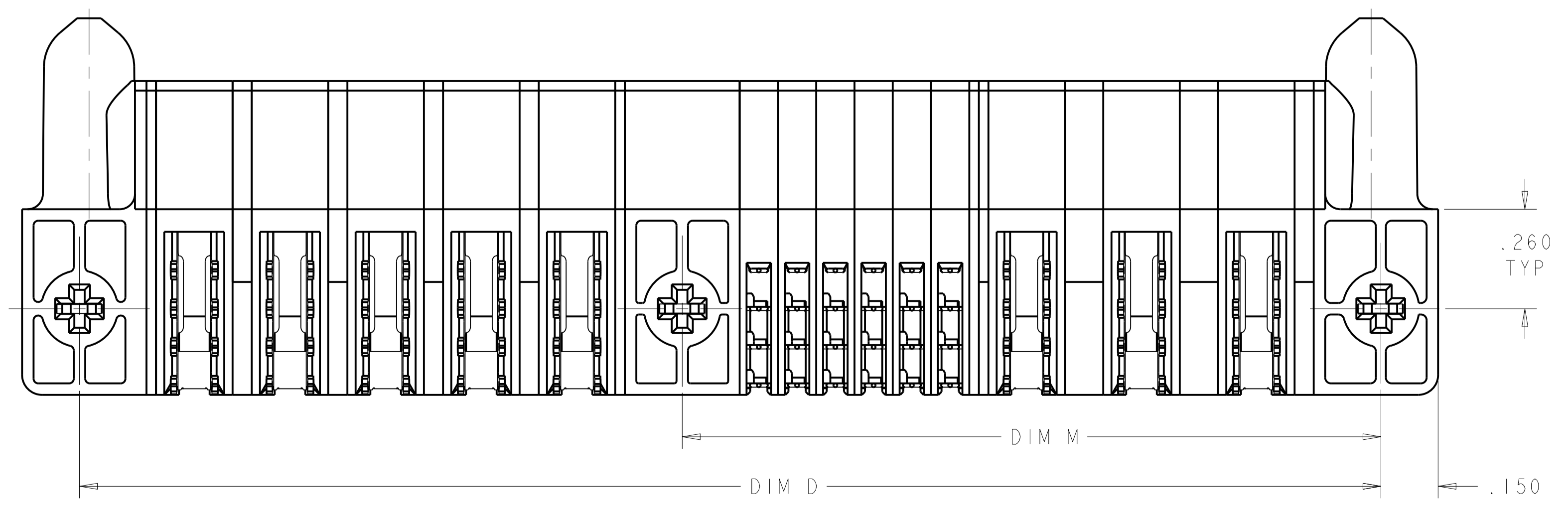
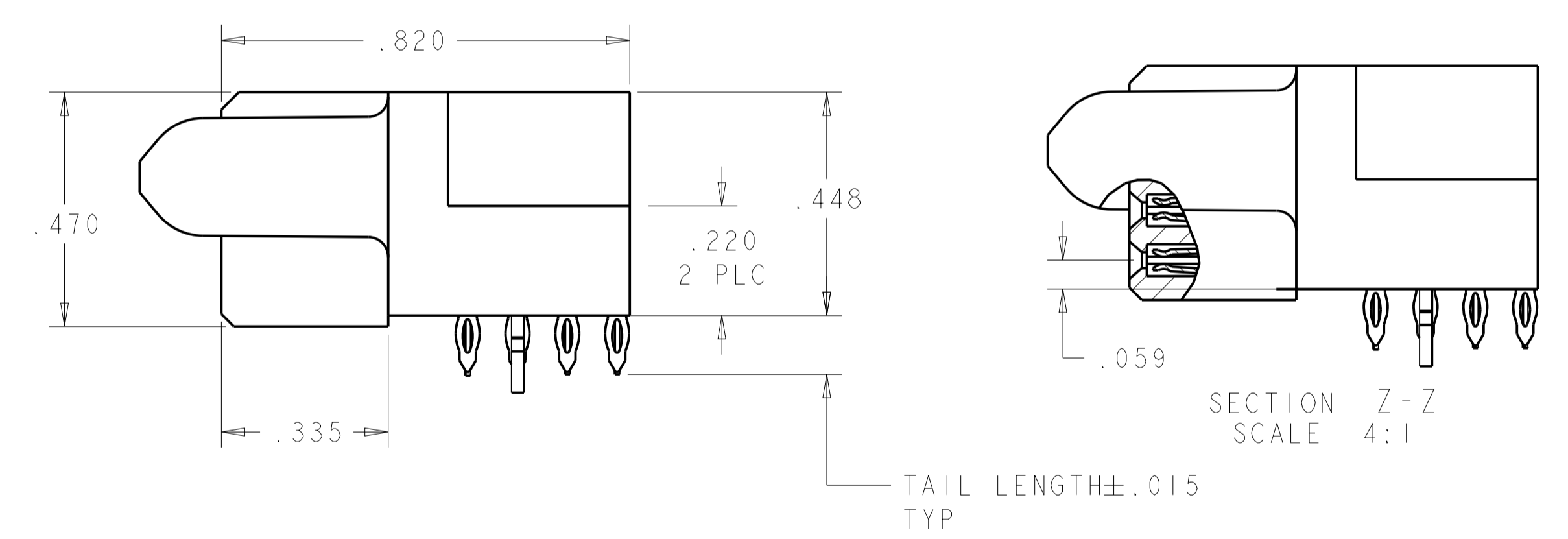
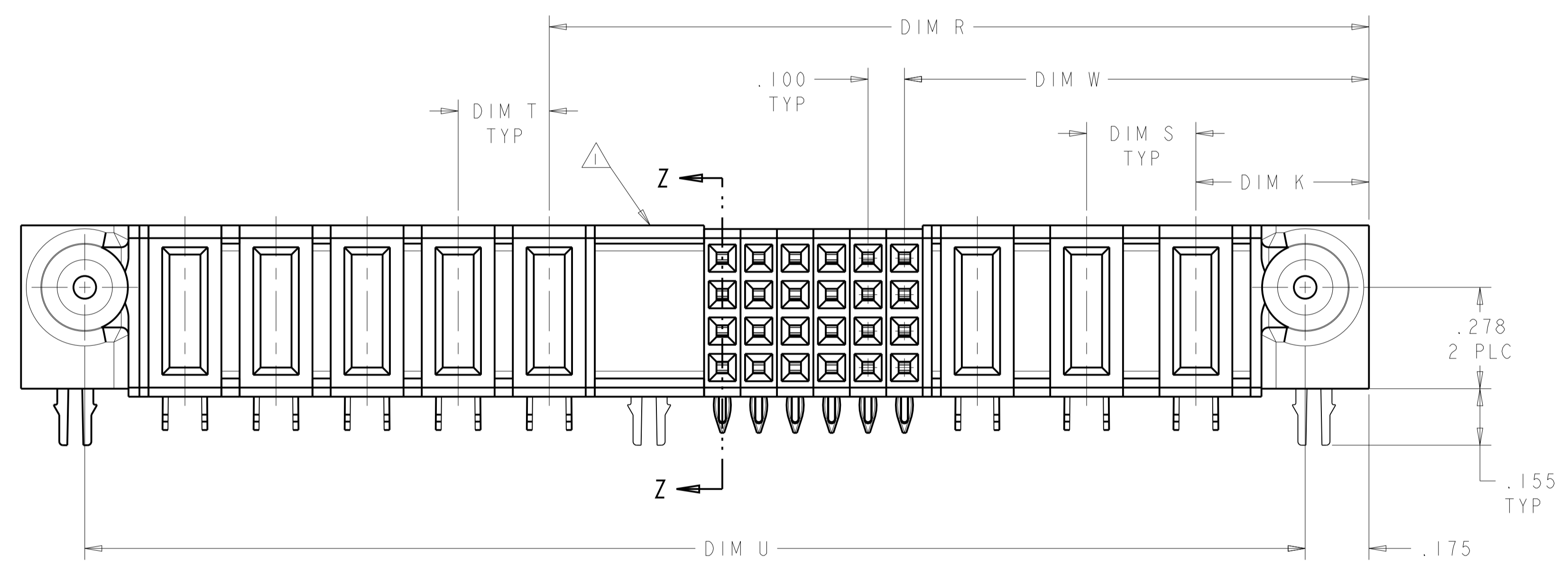


LOC		DIST		REVISIONS			
ES	00	P	LTM	DESCRIPTION	DATE	DMN	APVD
		D5		RELEASE 1-7	21OCT2013	CZ	SZ
		D6		RELEASE 1-8 AND 1-9	21JAN2014	AL	SZ



- 1 OPTIONAL CENTER MODULE, WITH Ø.150 THRU HOLE OR HOLD DOWN FEATURE.
- 2 "AMP", PART NUMBER, AND DATE CODE TO BE MARKED IN AREA SHOWN.
- 3 MATERIAL: HOUSING - GLASS FILLED HIGH TEMP THERMO PLASTIC, UL94 V-0.
 SIGNAL CONTACT - HIGH CONDUCTIVITY COPPER ALLOY
 POWER CONTACT - HIGH CONDUCTIVITY COPPER ALLOY
- 4 CONTACT PLATING: NOBLE METAL PLATING ON CONTACT FUNCTIONAL AREA OF POWER AND SIGNAL CONTACTS
- 5 MECHANICAL CONNECTOR KEEP OUT ZONE.
- 6 DATUM AND BASIC DIMENSIONS ESTABLISHED BY CUSTOMER.
- 7 PCB- ALL HOLE DIAMETERS ARE FINISHED HOLE SIZES.
- 8 PCB- Ø.0453 +/- .0010 DRILLED HOLES PLATED WITH .0003 MIN Sn OVER .001-.003 PLATING TO ACHIEVE .040 DIA HOLE.
- 9 1450570-1 HOLD DOWN SEATING DEPTH = .185



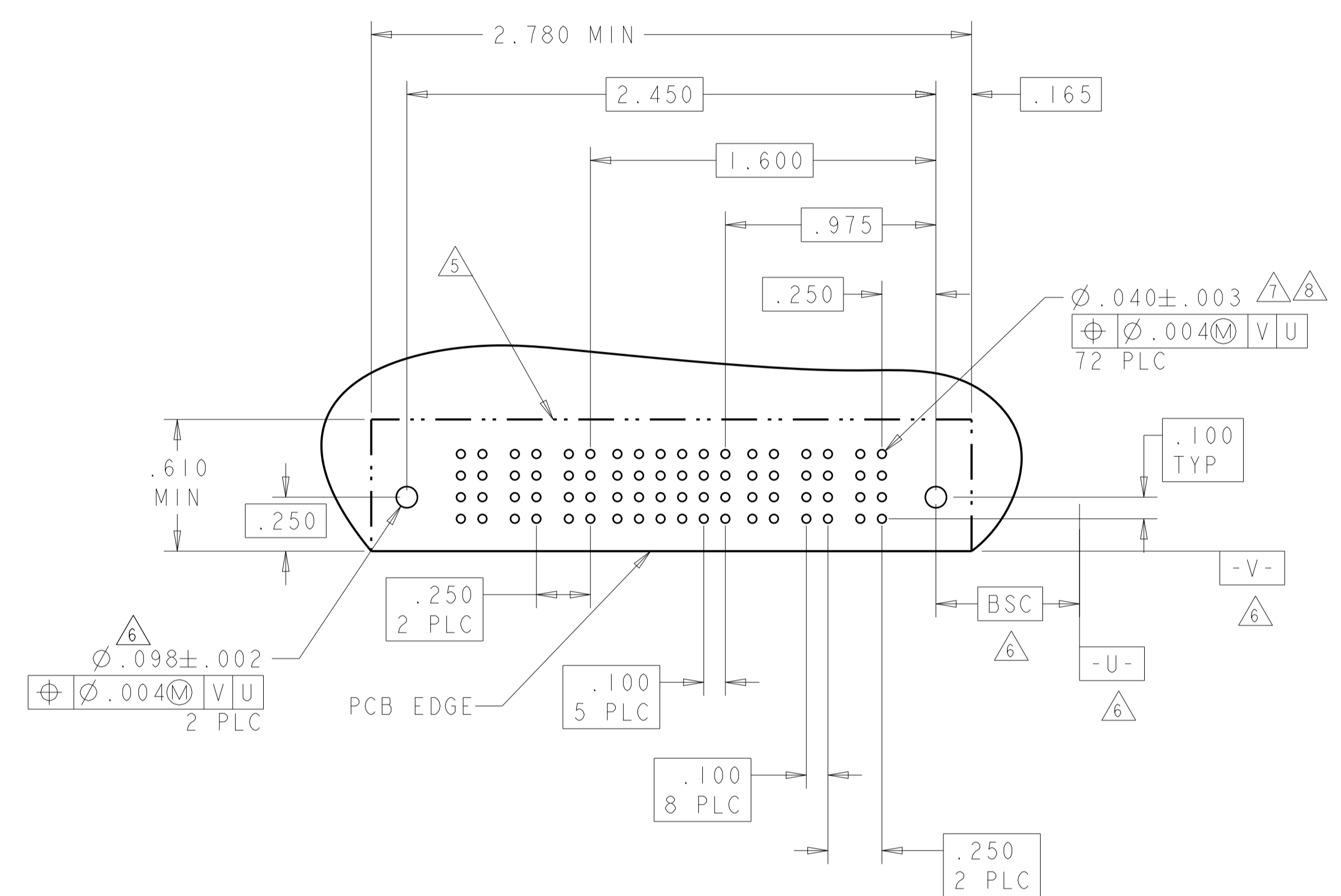
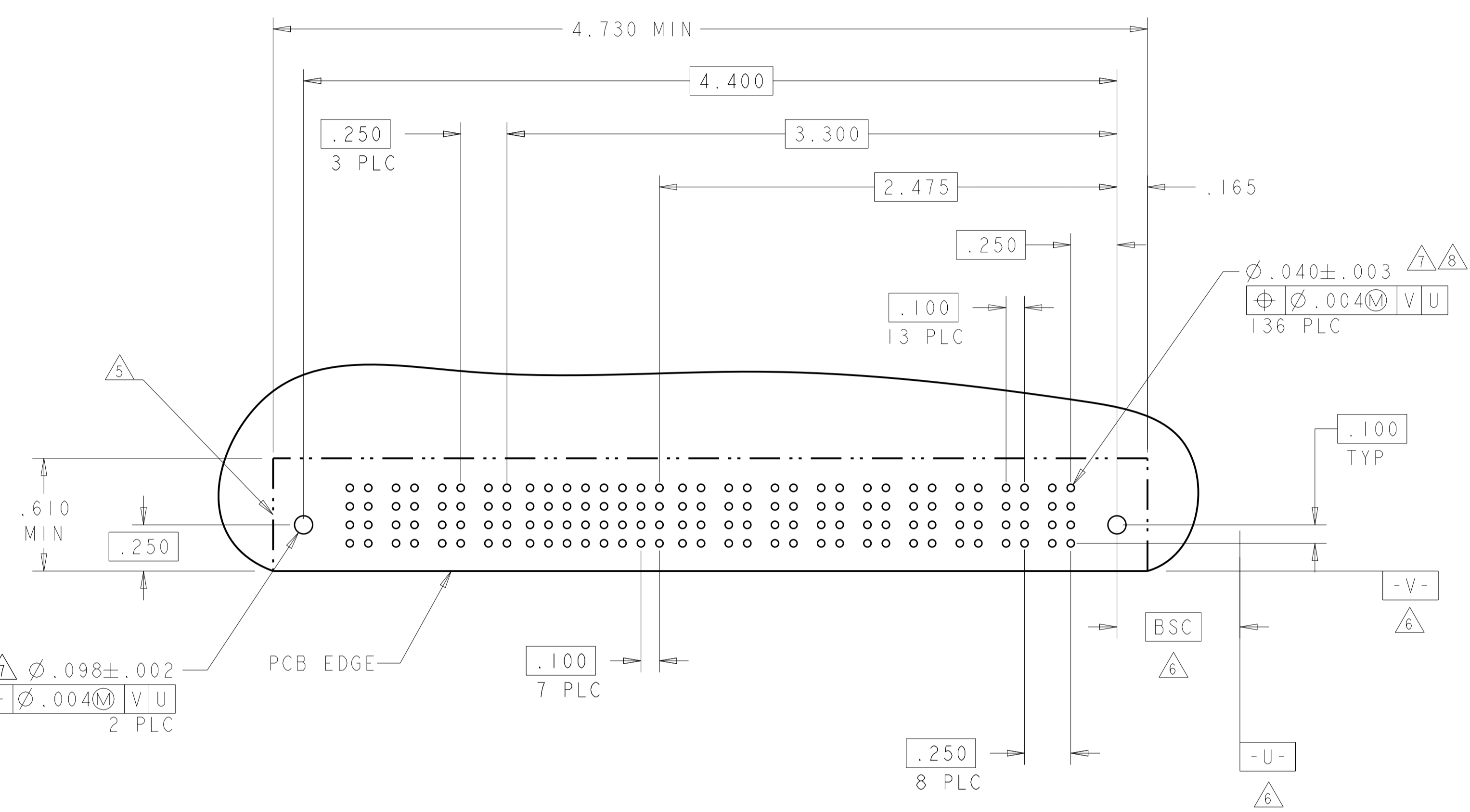
N/A	3.250	.300	.250	1.650	1.375	3.300	-	3.600	.450	4P + 8S + 6P	1-6450570-9
N/A	3.150	.300	.250	1.850	1.375	3.200	-	3.500	.450	4P + 16S + 5P	1-6450570-8
N/A	1.700	.250	.250	1.350	.875	1.750	-	2.050	.450	2P + 16S + 2P	1-6450570-7
N/A	3.100	.250	.250	2.250	1.875	3.150	-	3.450	.450	6P + 12S + 4P	1-6450570-6
.150	1.400	.250	.250	1.300	.625	1.450	-	1.750	.450	1P + 24S + 1P	1-6450570-5
N/A	1.700	.250	.250	1.350	.875	1.750	-	2.050	.450	2P + 16S + 2P	1-6450570-4
N/A	1.300	-	-	1.200	.675	1.350	-	1.650	.450	1P + 16S + 1P	1-6450570-3
N/A	3.000	.250	.250	2.150	1.425	3.050	-	3.350	.450	4P + 24S + 4P	1-6450570-2
N/A	2.400	.250	.250	1.800	1.125	2.450	-	2.750	.450	3P + 24S + 3P	1-6450570-0
.150	1.300	-	-	1.200	.675	1.350	-	1.650	.450	1P + 16S + 1P	6450570-9
N/A	4.350	.250	.250	3.500	2.625	4.400	-	4.700	.450	9P + 32S + 4P	6450570-6
.122	5.450	.250	.250	3.350	2.375	5.500	-	5.800	.450	8P + 36S + 9P	6450570-3
N/A	2.400	.250	.250	1.800	1.125	2.450	-	2.750	.450	3P + 24S + 3P	6450570-2
N/A	4.350	.250	.250	3.500	2.625	4.400	-	4.700	.450	9P + 32S + 4P	6450570-1
MOUNTING HOLES	DIM U	DIM T	DIM S	DIM R	DIM W	DIM D	DIM M	DIM L	DIM K	DESCRIPTION	PART NUMBER

THIS DRAWING IS A CONTROLLED DOCUMENT. DIMENSIONS: INCHES. TOLERANCES UNLESS OTHERWISE SPECIFIED: 0 PLC ±.01, 1 PLC ±.01, 2 PLC ±.01, 3 PLC ±.005, 4 PLC ±.0020. MATERIAL: FINISH: 3, 4. THIS DRAWING IS A CONTROLLED DOCUMENT. DWG: R.GRZYBOWSKI, CHK: M.PERCHEKKE, APVD: M.PERCHEKKE. PRODUCT SPEC: 108-1973, APPLICATION SPEC: 114-13038. WEIGHT: -. CUSTOMER DRAWING. SCALE: 4:1. SHEET 1 OF 7. REV D6. STC TE Connectivity. RIGHT ANGLE RECEPTACLE ASSEMBLY WITH GUIDES MULTI-BEAM XL. A100779C=6450570.

LOC	DIST	REV	DATE	BY	APPV
ES	00				

PART NUMBER	ROWS	POWER				SIGNAL								POWER								
		PI3	PI2	PI1	PI0	8	7	6	5	4	3	2	1	P9	P8	P7	P6	P5	P4	P3	P2	PI
6450570-1	D C B A	RL	RL	RK	RL	DD	DD	DD	DD	DD	DD	DD	DD	RL	RL	RL	RL	RL	RL		RK	RL
		CC	CC	CC	CC	CC	CC	CC	CC	CC	CC	CC	CC									
		BB	BB	BB	BB	BB	BB	BB	BB	BB	BB	BB	BB									
		AA	AA	AA	AA	AA	AA	AA	AA	AA	AA	AA	AA									

PART NUMBER	ROWS	POWER			SIGNAL						POWER			
		P6	P5	P4	6	5	4	3	2	1	P3	P2	PI	
6450570-2	D C B A	RP	RS	RS	D	D	D	D	D	D	D	RS	RS	RP
		C	C	C	C	C	C	C	C	C	C			
		B	B	B	B	B	B	B	B	B	B			
		A	A	A	A	A	A	A	A	A	A			



DD	.165-PRESS FIT	D
CC	.165-PRESS FIT	C
BB	.165-PRESS FIT	B
AA	.165-PRESS FIT	A

RL	.165 PRESS FIT	STD	D	.119-PRESS FIT	D
RK	.165 PRESS FIT	MFBL	C	.119-PRESS FIT	C
RS	.119 PRESS FIT	STD	B	.119-PRESS FIT	B
RP	.119 PRESS FIT	MFBL	A	.119-PRESS FIT	A
CODE	TAIL LENGTH	TYPE	CODE	TAIL LENGTH	ROW
POWER CONTACT			SIGNAL CONTACT		

THIS DRAWING IS A CONTROLLED DOCUMENT. DWG: R.GRZYBOWSKI 25MAY2005
CHK: M.PERCHEK 25MAY2005
APPV: M.PERCHEK

STE TE Connectivity

NAME: RIGHT ANGLE RECEPTACLE ASSEMBLY WITH GUIDES MULTI-BEAM XL

PRODUCT SPEC: 108-1973
APPLICATION SPEC: 114-13038

SIZE: A1 CAGE CODE: 6450570 DRAWING NO: 100779
WEIGHT: 114-13038

MATERIAL: FINISH: CUSTOMER DRAWING

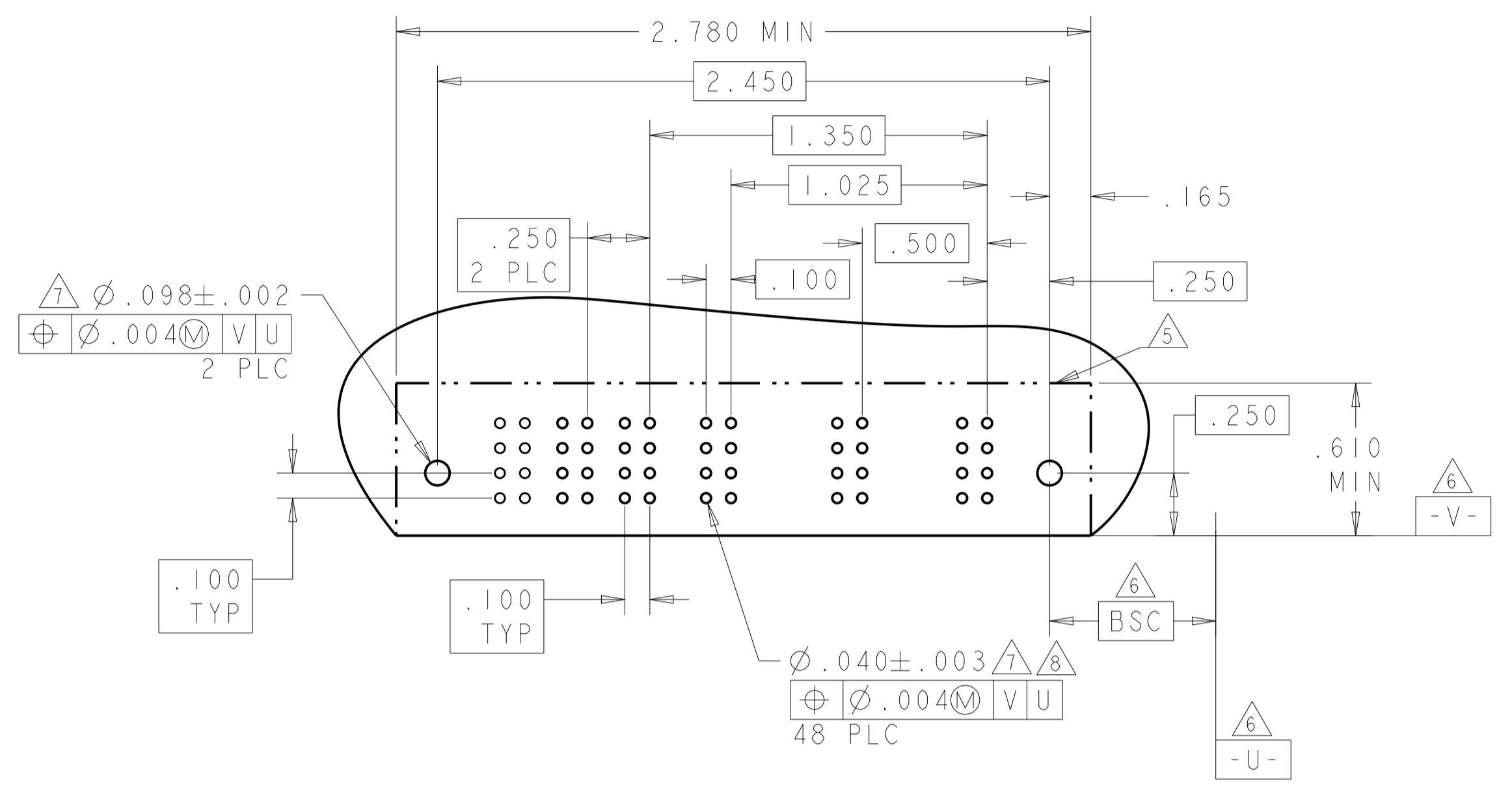
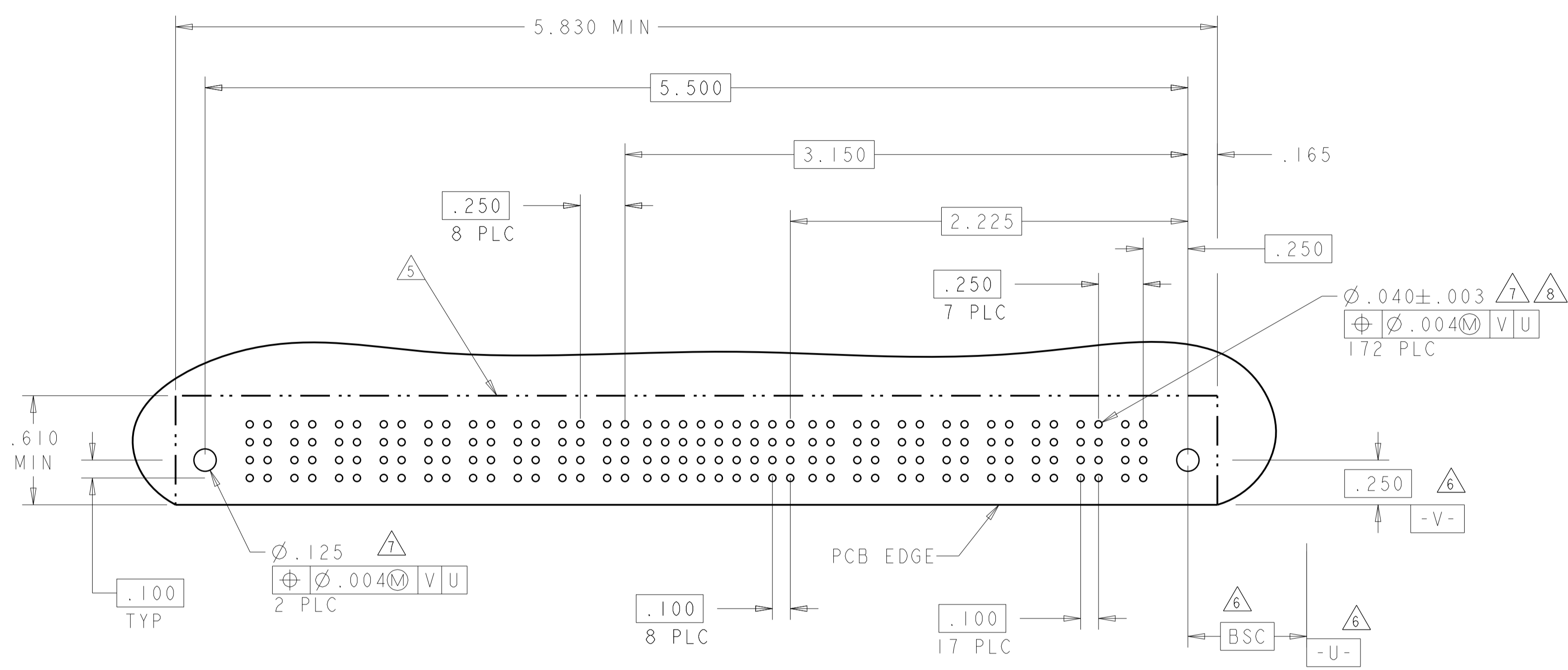
SCALE: 1:1 SHEET: 2 OF 7 REV: D6

LOC	DIST	REV	DATE	BY	APPV
ES	00				

REVISIONS		DATE	BY	APPV
1	SEE SHEET 1			

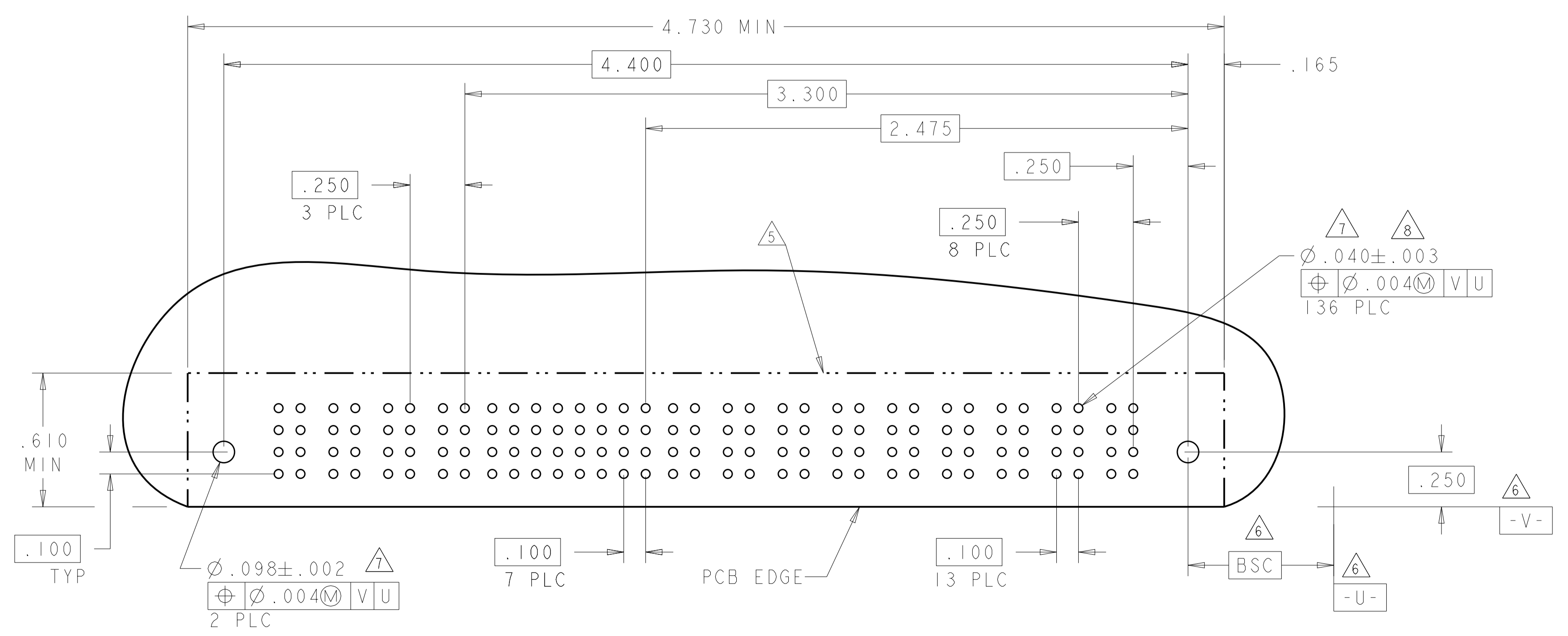
PART NUMBER	ROWS	POWER								SIGNAL								POWER										
		P17	P16	P15	P14	P13	P12	P11	P10	P9	9	8	7	6	5	4	3	2	1	P8	P7	P6	P5	P4	P3	P2	P1	
6450570-3	D C B A	RL	RK	RL	RL	RL	RL	RL	RL	RL	DD	DD	DD	DD	DD	DD	DD	DD	DD	DD	RL	RL	RL	RL	RL	RL	RK	RL
8P + 36S + 9P											CC	CC	CC	CC	CC	CC	CC	CC	CC	CC								
											BB	BB	BB	BB	BB	BB	BB	BB	BB	BB								
											AA	AA	AA	AA	AA	AA	AA	AA	AA	AA								

PART NUMBER	ROWS	POWER				SIGNAL				POWER				
		P6	P5	P4	P3	6	5	4	3	2	1	P3	P2	P1
1-6450570-0	D C B A	RS	RS	RP		D	D					RS	RS	
3P + 24S + 3P						C	C							
						B	B							
						A	A							



PART NUMBER	ROWS	POWER				SIGNAL								POWER							
		P13	P12	P11	P10	8	7	6	5	4	3	2	1	P9	P8	P7	P6	P5	P4	P3	P2
6450570-6	D C B A	RL	RL	RK	RL	DD	DD	DD	DD	DD	DD	DD	DD	RL	RL	RL	RL	RL	RL	RK	RL
9P + 32S + 4P						CC	CC	CC	CC	CC	CC	CC	CC								
						BB	BB	BB	BB	BB	BB	BB	BB								
						AA	AA	AA	AA	AA	AA	AA	AA								

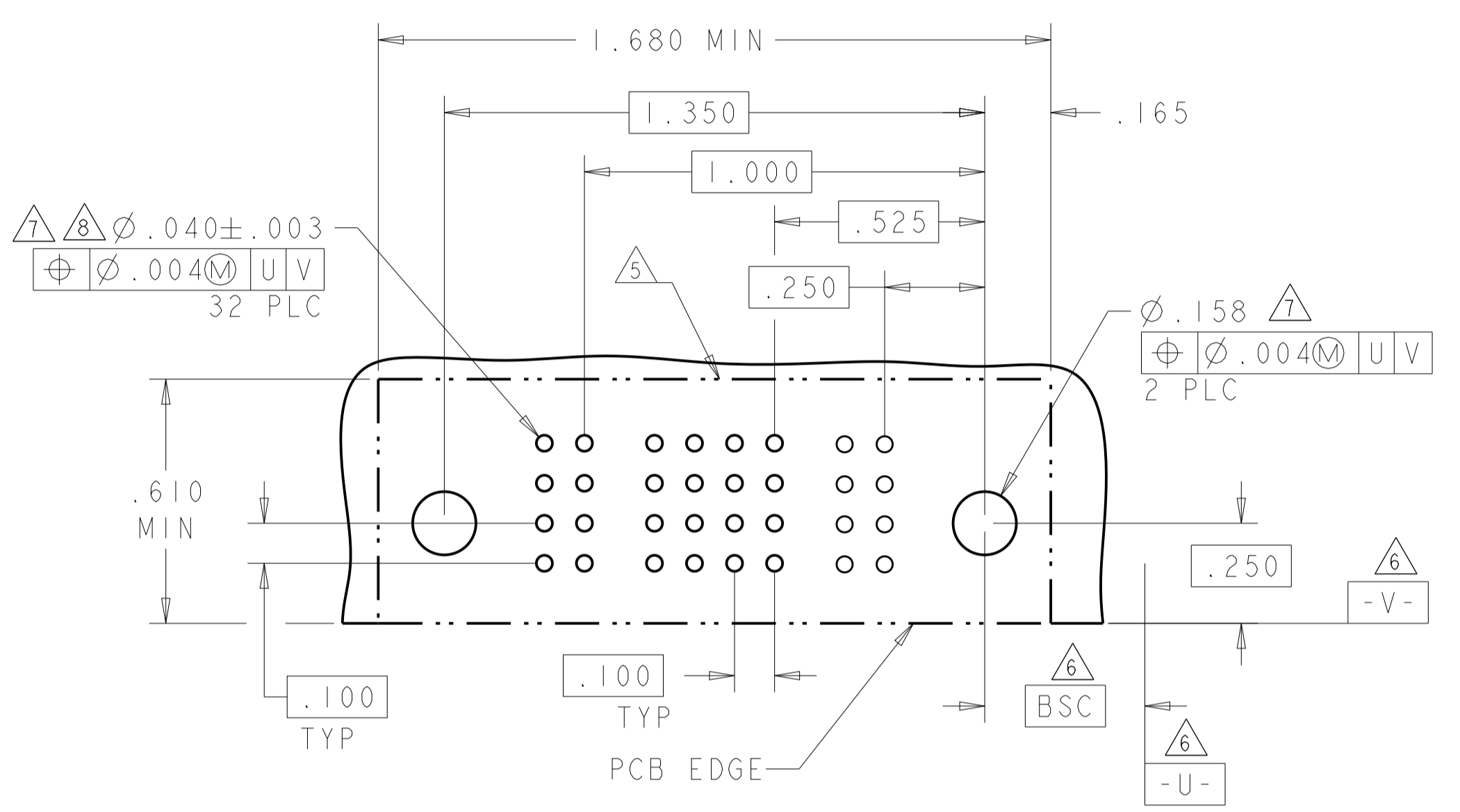
NO CONTACT LOADED



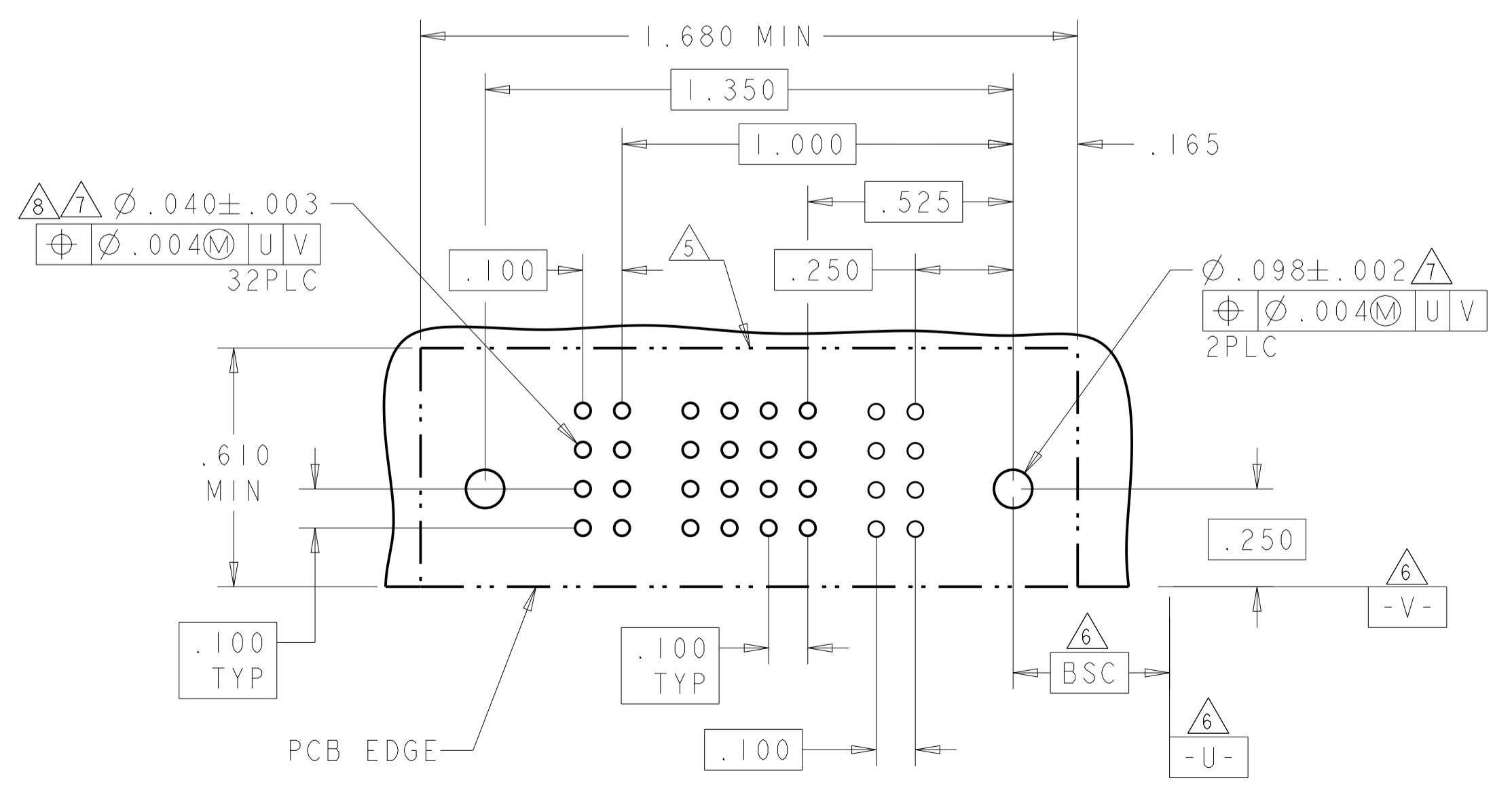
THIS DRAWING IS A CONTROLLED DOCUMENT.		OWN: R. GRZYBOWSKI 25MAY2005	 TE Connectivity
DIMENSIONS: INCHES		CHK: M. PERCHERKE 25MAY2005	
TOLERANCES UNLESS OTHERWISE SPECIFIED:		APVD: M. PERCHERKE	NAME: RIGHT ANGLE RECEPTACLE ASSEMBLY WITH GUIDES MULTI-BEAM XL
0 PLC ±. 1 PLC ±.01 2 PLC ±.01 3 PLC ±.005 4 PLC ±.0020 ANGLES ±.020		PRODUCT SPEC: 108-1973	SIZE: CAGE CODE DRAWING NO. A100779
MATERIAL: FINISH:		APPLICATION SPEC: 114-13038	RESTRICTED TO: C=6450570
WEIGHT:		CUSTOMER DRAWING	SCALE: 4:1 SHEET 3 OF 7 REV: D6

LOC		DIST		REVISIONS			
ES	00	REV	DATE	BY	APPV	DATE	APPV
		1	SEE SHEET 1				

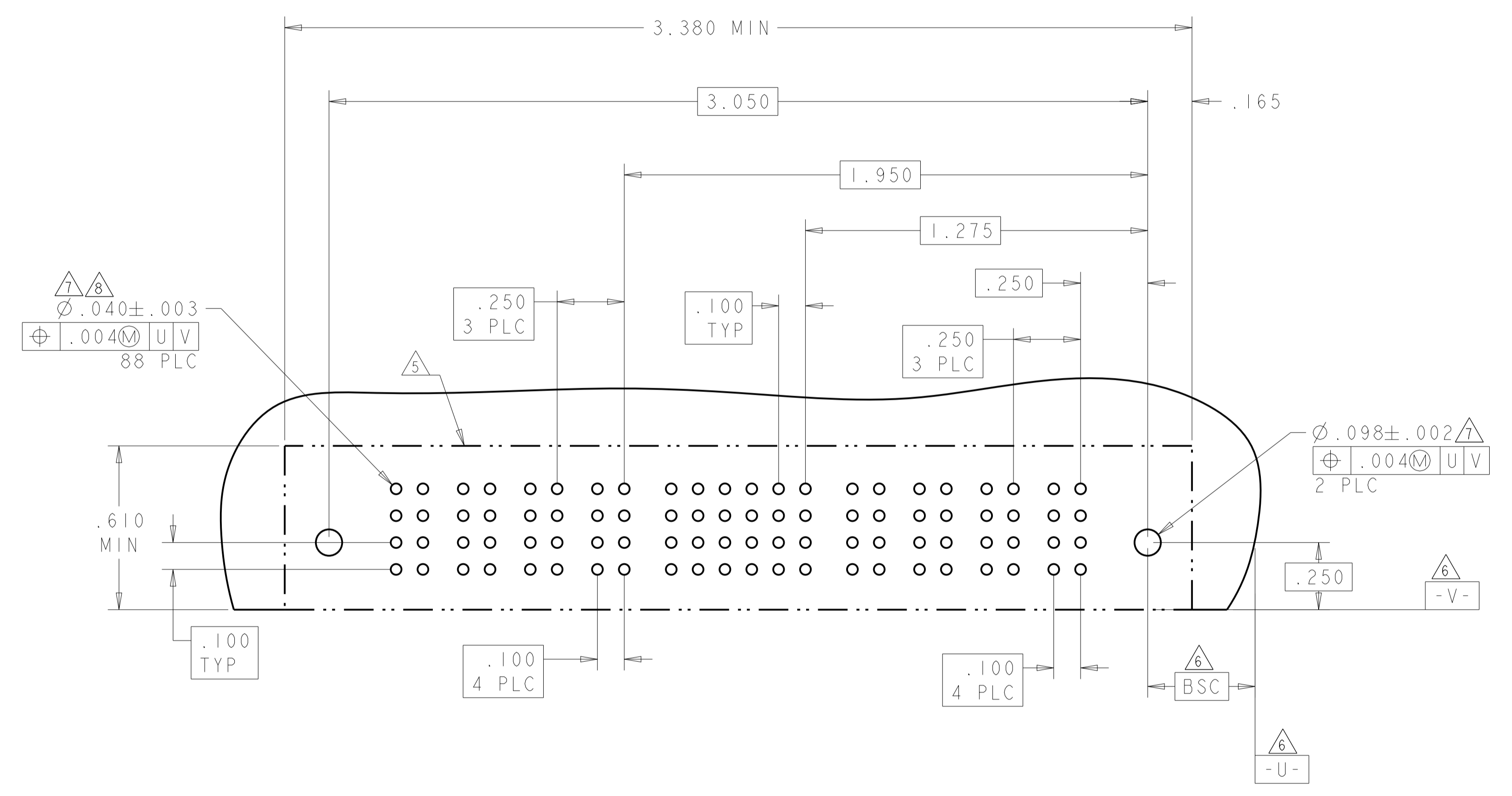
PART NUMBER	ROWS	POWER		SIGNAL				POWER	
		P2	P1	4	3	2	1	P2	P1
6450570-9	D	RS		D	D	D	D	RP	
	C			C	C	C			
	B			B	B	B			
	A			A	A	A			
IP + 16S + IP									



PART NUMBER	ROWS	POWER		SIGNAL				POWER	
		P2	P1	4	3	2	1	P2	P1
1-6450570-3	D	RP	HD	D	D	D	D	RS	HD
	C			C	C	C			
	B			B	B	B			
	A			A	A	A			
IP + 16S + IP									



PART NUMBER	ROWS	POWER				SIGNAL						POWER					
		P8	P7	P6	P5	6	5	4	3	2	1	P4	P3	P2	P1		
1-6450570-2	D	RP	RP	RP	RP	D	D	D	D	D	D	D	D	RP	RP	RP	RP
	C					C	C	C	C	C	C	C					
	B					B	B	B	B	B	B	B					
	A					A	A	A	A	A	A	A					
4P + 24S + 4P																	



THIS DRAWING IS A CONTROLLED DOCUMENT.		OWN: R. GRZYBOWSKI 25MAY2005	 TE Connectivity
DIMENSIONS: INCHES		CHK: M. PERCHERKE 25MAY2005	
TOLERANCES UNLESS OTHERWISE SPECIFIED:		APVD: M. PERCHERKE	NAME: RIGHT ANGLE RECEPTACLE ASSEMBLY WITH GUIDES MULTI-BEAM XL
0 PLC ±.01 1 PLC ±.01 2 PLC ±.01 3 PLC ±.005 4 PLC ±.0020 ANGLES ±.020		PRODUCT SPEC: 108-1973	SIZE: 114-13038
MATERIAL: FINISH:		APPLICATION SPEC: 114-13038	RESTRICTED TO: A100779
		WEIGHT: 114-13038	CAGE CODE: 6450570
		CUSTOMER DRAWING	SCALE: 4:1 SHEET 4 OF 7 REV: D6

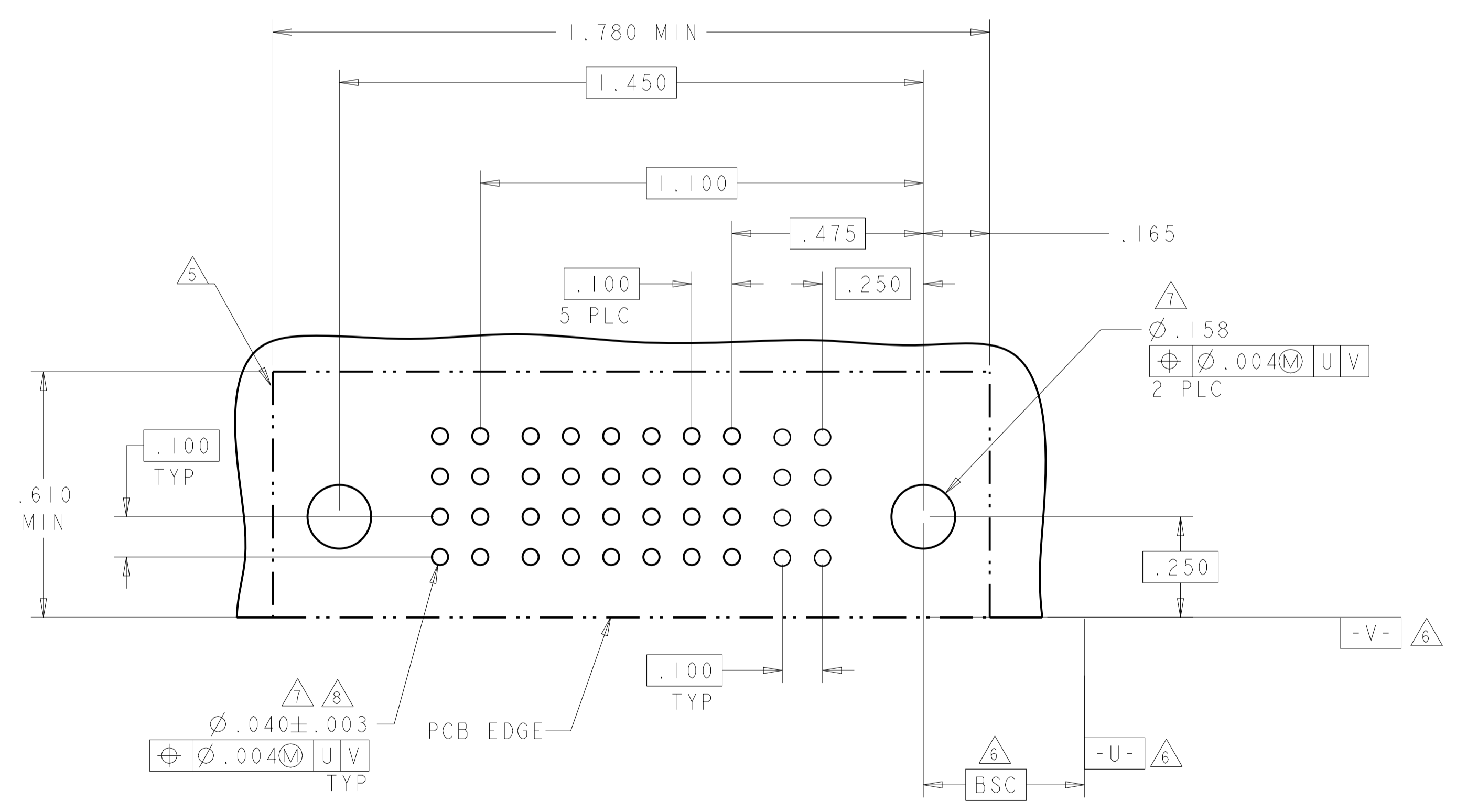
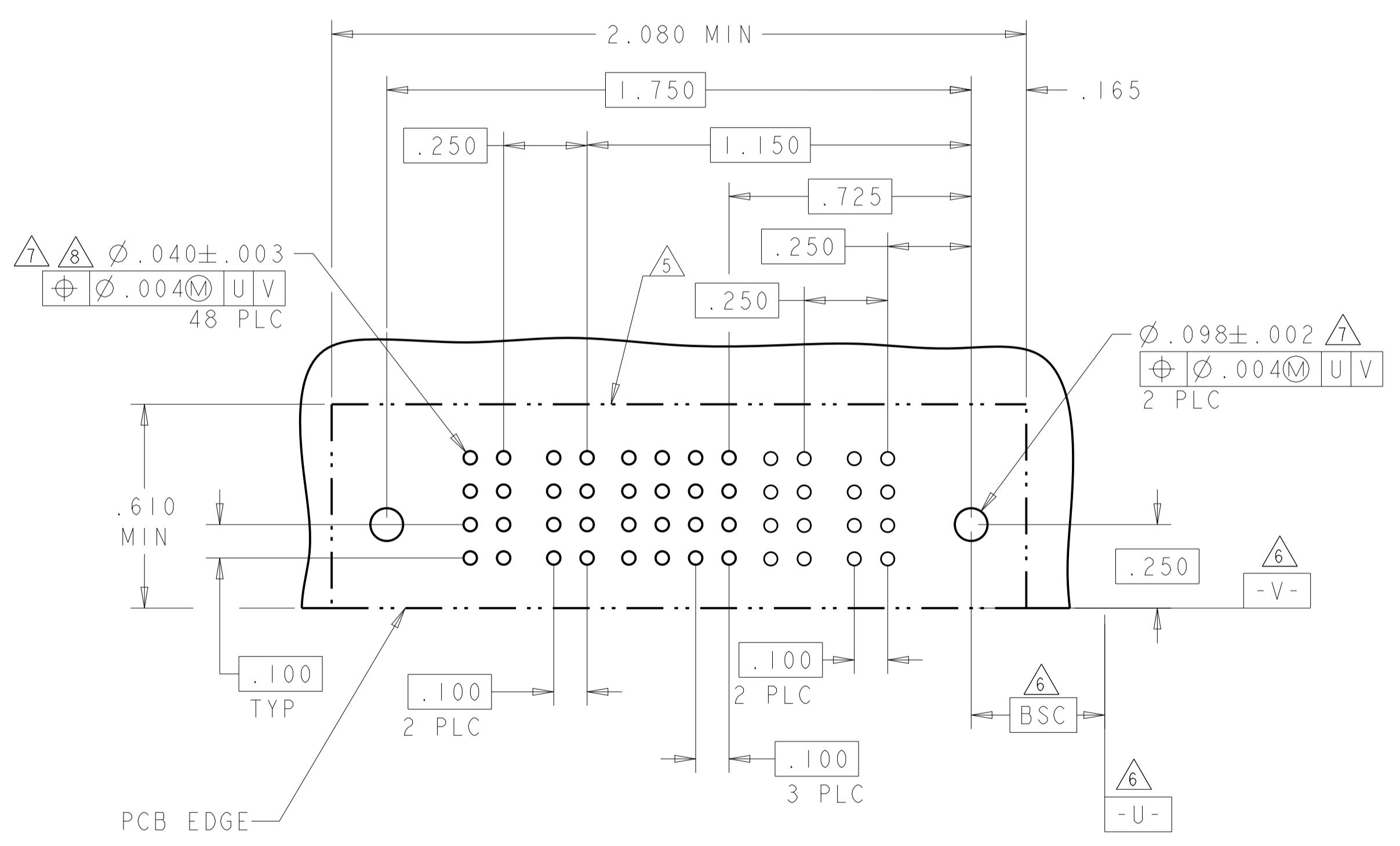
LOC	DIST	REV	DATE	BY	APPV
ES	00				

REVISIONS					
NO	DATE	DESCRIPTION	BY	APPV	DATE
-	-	SEE SHEET 1	-	-	-

PART NUMBER	ROWS	POWER		SIGNAL				POWER	
		P4	P3	4	3	2	1	P2	P1
1-6450570-4	D C B A	RS	RP	D	D	D	D	RP	RS
				C	C	C	C		
				B	B	B	B		
				A	A	A	A		
2P + 16S + 2P									

PART NUMBER	ROWS	POWER		SIGNAL					POWER		
		P2		6	5	4	3	2	1	P1	
1-6450570-5	D C B A	RP		D	D	D	D	D	D	RS	
				C	C	C	C	C	C		
				B	B	B	B	B	B		
				A	A	A	A	A	A		
1P + 24S + 1P											

PART NUMBER	ROWS	POWER		SIGNAL				POWER	
		P4	P3	4	3	2	1	P2	P1
1-6450570-7	D C B A	RP	RS	D	D	D	D	RP	RS
				C	C	C	C		
				B	B	B	B		
				A	A	A	A		
2P + 16S + 2P									

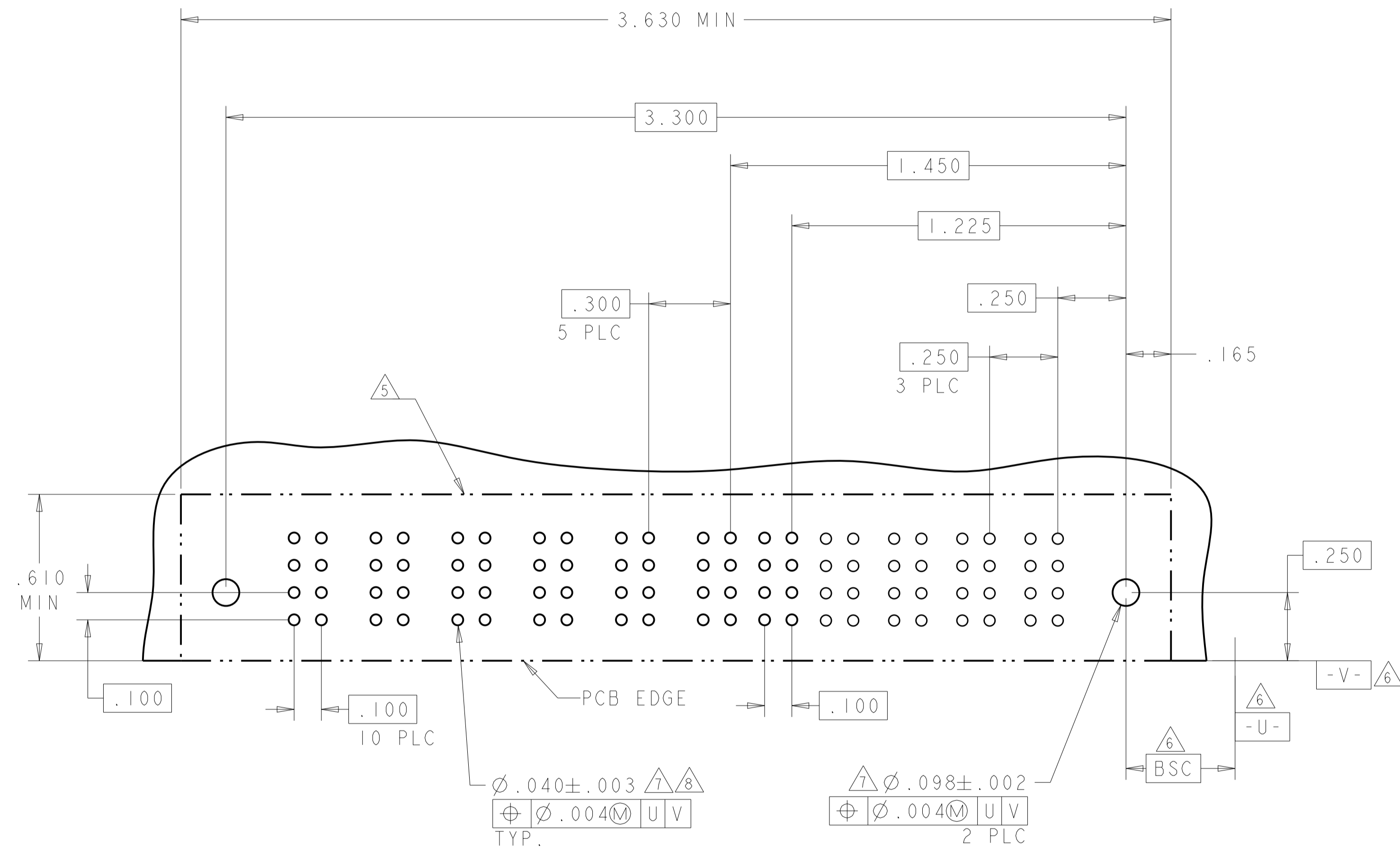


1-6450570-4 AND 1-6450570-7 PCB LAYOUT

THIS DRAWING IS A CONTROLLED DOCUMENT.		OWN: R. GRZYBOWSKI 25MAY2005	 TE Connectivity
DIMENSIONS: INCHES		CHK: M. PERCHERKE 25MAY2005	
TOLERANCES UNLESS OTHERWISE SPECIFIED:		APVD: M. PERCHERKE	NAME: RIGHT ANGLE RECEPTACLE ASSEMBLY WITH GUIDES MULTI-BEAM XL
0 PLC ±.01 1 PLC ±.01 2 PLC ±.01 3 PLC ±.005 4 PLC ±.002 ANGLES ±.020		PRODUCT SPEC: 108-1973	RESTRICTED TO: -
MATERIAL: -		APPLICATION SPEC: 114-13038	SIZE: A1
FINISH: -		WEIGHT: -	CAGE CODE: 6450570
CUSTOMER DRAWING		SCALE: 4:1	SHEET 5 OF 7 REV D6

LOC	DIST	REVISIONS					
		P	LTN	DESCRIPTION	DATE	DWN	APVD
ES	00	-	-	SEE SHEET 1	-	-	-

PART NUMBER	ROWS	POWER					SIGNAL		POWER				
		P10	P9	P8	P7	P6	P5	2	1	P4	P3	P2	P1
1-6450570-9	D C B A	RL	RL	RK	RL	RL	DD	DD	RL	RK	RK	RL	
							CC	CC					
							BB	BB					
							AA	AA					
4P + 8S + 6P													



THIS DRAWING IS A CONTROLLED DOCUMENT.		DWN R. GRZYBOWSKI 25MAY2005	TE Connectivity	
DIMENSIONS: INCHES		CHK M. PERCHERKE 25MAY2005		
DIMENSIONS: 0 PLC ±. 1 PLC ±.01 2 PLC ±.01 3 PLC ±.005 4 PLC ±.0020 ANGLES ±.2°		TOLERANCES UNLESS OTHERWISE SPECIFIED: APVD M. PERCHERKE		NAME RIGHT ANGLE RECEPTACLE ASSEMBLY WITH GUIDES MULTI-BEAM XL
MATERIAL		PRODUCT SPEC 108-1973		APPLICATION SPEC 114-13038
FINISH		WEIGHT -		SIZE A100779C=6450570
CUSTOMER DRAWING		SCALE 4:1		SHEET 7 OF 7 REV D6