

THIS DRAWING IS UNPUBLISHED.

RELEASED FOR PUBLICATION

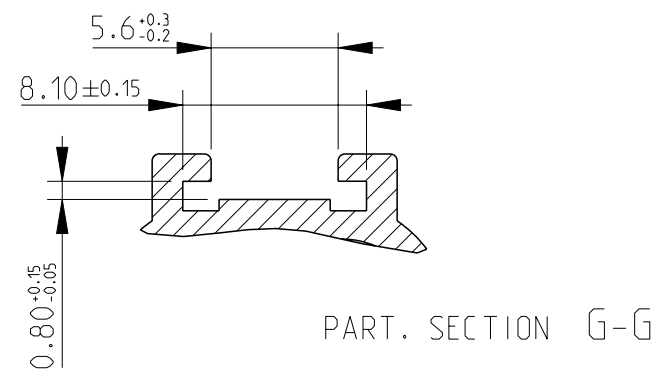
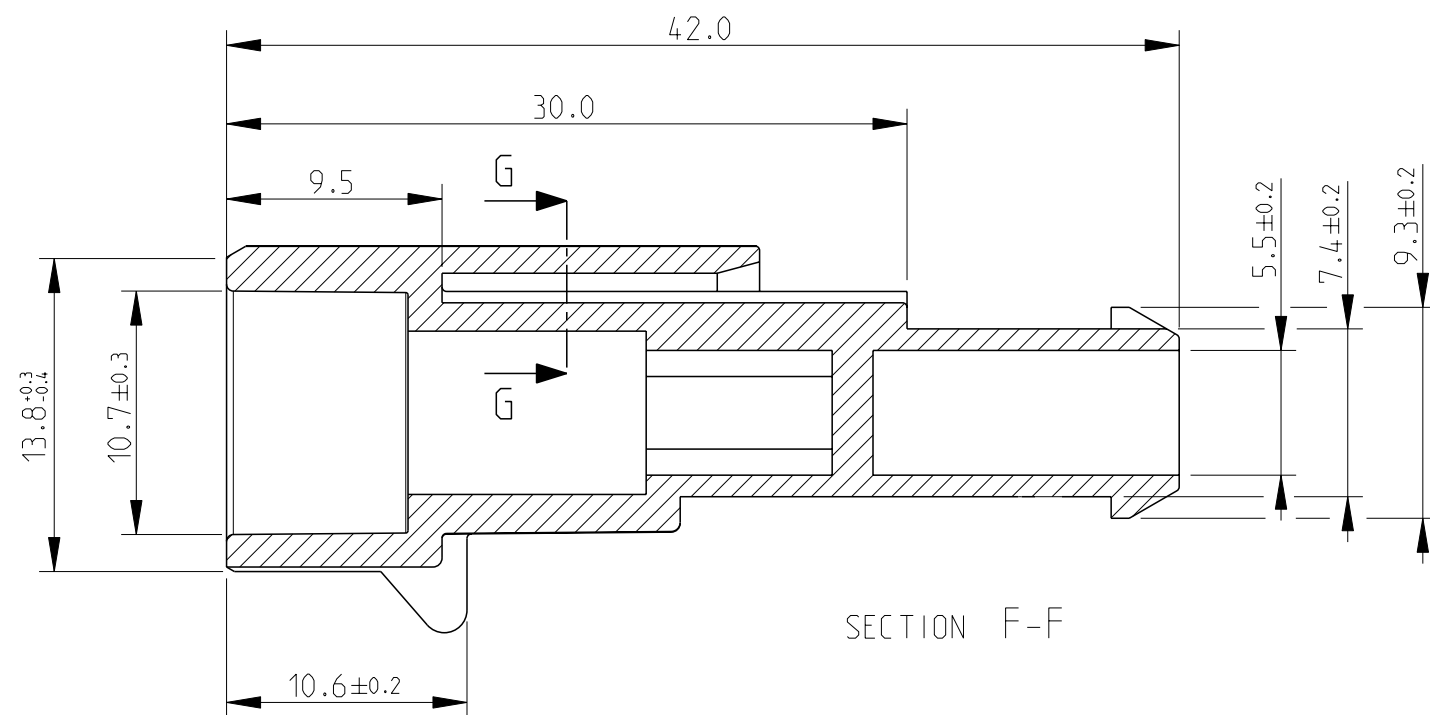
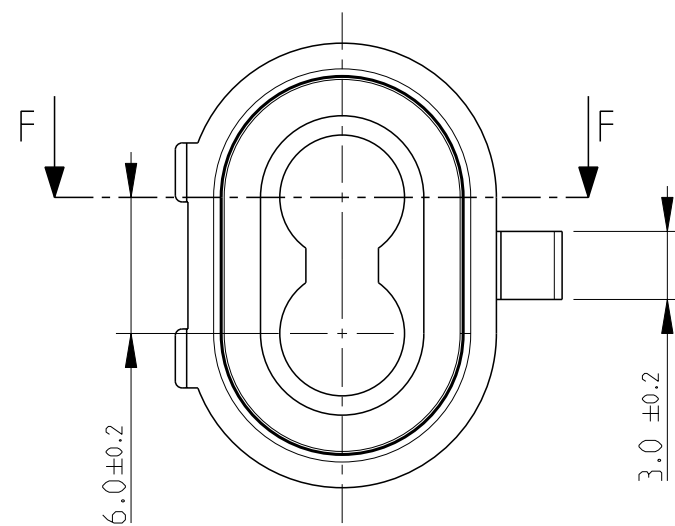
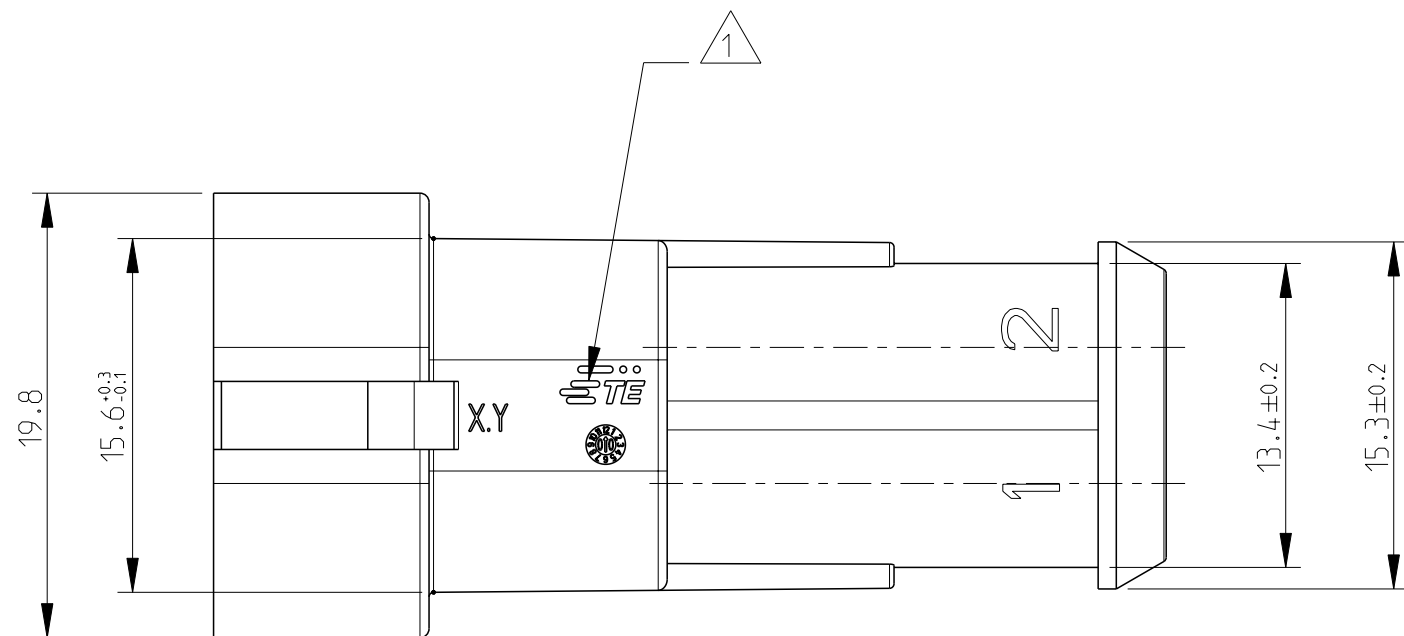
20

© COPYRIGHT 20 BY -

ALL RIGHTS RESERVED.


REVISIONS

P	LTR	DESCRIPTION	DATE	DWN	APVD
	A2	REVISED PER ECO-17-009774	06SEP2017	M.G.	M.G.



ORANGE	PA66-GF	A	1745022-1
FINISH/COLOR	MATERIAL	REV	PART NUMBER


 TE CONNECTIVITY TRADE MARK,
 (IN ALTERNATIVE: "AMP" LOGO, OR  "Tyco Electronics" LOGO)

THIS DRAWING IS A CONTROLLED DOCUMENT.		DWN M. PALMA 17SEP2004	 TE Connectivity	
DIMENSIONS: mm		CHK R. MARTINI 17SEP2004		
TOLERANCES UNLESS OTHERWISE SPECIFIED:		APVD -	NAME AMP SUPERSEAL 1.5 SRS. 2 POSITIONS TAB CONNECTOR WITH CLOSED CAVITIES	
0 PLC ±	1 PLC ±0.3	PRODUCT SPEC -	SIZE A3	CAGE CODE -
2 PLC ±	3 PLC ±	APPLICATION SPEC -	DRAWING NO C=1745022	RESTRICTED TO -
4 PLC ±	ANGLES ±2°	WEIGHT 5.12g	SCALE 3:1	SHEET 1 OF 1
MATERIAL -	FINISH -	CUSTOMER DRAWING	REV A2	
SEE TABLE	SEE TABLE			